

Type SB 304-E with angular gearbox and manual free spooling clutch

## SB-Series

The standard build SB type winch provides the basis of the solution to many pulling and lifting winch applications. The winch is constructed in the conventional manner with motor, gearbox and drum in line. When it comes to the need of a shorter design the SB winch is available with a angular gearbox. The choice of the rope complies with the pulling force in the 5th rope layer. The drum is build according classification 1Am. The drum diameter is at least 16-times bigger than the diameter of the indicated rope diameter. Although the name of this winch indicates different, these winches are very suitable to fit to your specific winch application and can be equipped with different drums, other gearboxes or motors. Many options can be offered on these highly versatile winches. The standard version comes without a rope and control.

### Standard winch features:

- Heavy duty planetary gearbox
- SB E; IP 54 aluminium braked motor 400 V AC / 3 phase / 50 Hz
- SB H; orbit or radial piston type hydraulic motor complete with brake valve
- SB LPR; radial piston type air motor complete with hand control valve and mufflers

### TYPE SB-Series electric

TYPE	Lifting capacity 1st layer kg	Lifting capacity 5th layer kg	Recommended rope diameter mm	Rope speed 1st layer m/min.	Rope speed 5th layer m/min.	Drum storage 1st layer m	Drum storage 5th layer m	Motor power 3-ph kW	Order No.
SB 300-E	1250	875	9	8.5	12.5	24	155	2.2	H50091
SB 301-E	2000	1400	11	8.5	12.5	24	155	3	H50092
SB 304-E	3000	2100	14	8.5	12.5	24	155	5.5	H50175
SB 305-E	4000	2800	16	8	11.5	24	155	5.5	H50071
SB 306-E	5500	3800	19	8	11.5	24	155	7.5	H50072
SB 307-E	7000	4900	22	8	11.5	24	155	11	H50073
SB 309-E	9000	6300	24	10	14	24	155	15	H50074
SB 310-E	12000	8400	28	8	11.5	24	155	18.5	H50093
SB 311-E	15000	10400	32	7.5	11	23	154	22	H50075
SB 313-E	18000	12400	34	6	9	22	153	22	H50076
SB 314-E	23000	16000	38	6	9	22	153	30	H50177
SB 315-E	30000	20400	44	6	9	20	145	30	H50094
SB 316-E	37000	24500	48	6	9	18	137	45	H50095

### TYPE SB-Series hydraulic

TYPE	Lifting capacity 1st layer kg	Lifting capacity 5th layer kg	Recommended rope diameter mm	Rope speed 1st layer m/min.	Rope speed 5th layer m/min.	Drum storage 1st layer m	Drum storage 5th layer m	Oil pressure drop in bar	Oil flow in l/min.	Order No.
SB 303-H	2500	1740	14	18	26	26	165	140	60	H50077
SB 305-H	4000	2770	16	18	26	25	161	160	80	H50078
SB 306-H	5500	3970	18	25	35	28	181	225	95	H50079
SB 307-H	7000	4960	22	20	28	26	171	230	100	H50080
SB 309-H	9000	6285	26	13	18	24	163	190	100	H50081
SB 310-H	12000	8460	28	11	16	24	168	230	95	H50096
SB 311-H	16000	10655	34	10	15	19	144	230	110	H50082
SB 313-H	20000	13610	38	8	12	19	151	210	120	H50083
SB 315-H	30500	20800	44	8	12	19	151	235	165	H50097
SB 316-H	37000	24570	48	6	9	17	141	225	160	H50098

- SB LG; gear type air motor complete with hand or remote control valve and mufflers
- Steel drum with cable fixing point at flange
- Two drum supports
- Double layer 2 component conversation, colour RAL 5010

### Available winch options:

- IP 56 TENV cast iron motor for marine applications
- Alternative drum dimensions / split drums / additional rope anchors /etc.
- Explosion proof motors
- Protective steel motor cover
- Drum pressure roller, spooling gears, grooved drums
- Band brakes (manual or failsafe automatic)
- Manual disengaging clutch
- Alternative speeds
- Alternative supply voltages
- Drum guards
- Manual emergency crank
- Slip ring mounting
- Warping head
- Angular gear

### Available control options:

- Control box IP 55 with pushbuttons and emergency stop
- Control box IP 55 with low voltage IP 65 remote control
- Load limiter (required by CE for applications exceeding 1000 kg W.L.L.)
- Frequency inverter for variable speed control
- Wireless radio remote control systems
- Limit switches (electric, pneumatic)
- Slack wire switches (electric, pneumatic)
- Proportional local or remote control valve (pneumatic or hydraulic)
- Motor overheating protection

## TYPE SB-Series pneumatic

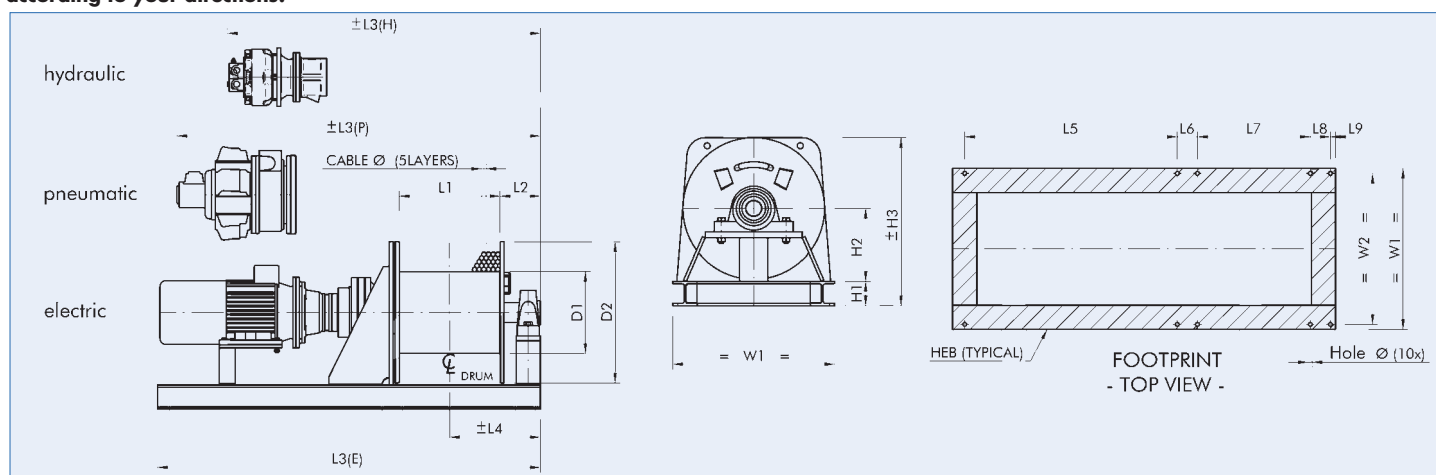
TYPE	Lifting capacity	Lifting capacity	Recommended rope diameter	Rope speed	Rope speed	Drum storage	Drum storage	Air pressure drop in	Air flow in	Order No.
	1st layer	5th layer		1st layer	5th layer					
	kg	kg	mm	m/min.	m/min.	m	m	bar	l/min.	
SB 300-LPR2	1200	845	10	11	16	26	168	7	90	H50119
SB 301-LPR2	2100	1435	12	7	10	24	157	7	90	H50121
SB 303-LPR2	2500	1740	14	6	9	26	165	7	90	H50084
SB 303-LPR3	2500	1740	14	12	17	26	165	7	140	H50122
SB 305-LPR3	4000	2770	16	9	13	25	161	7	150	H50085
SB 305-LPR4	4000	2770	16	15	21	25	161	7	240	H50123
SB 306-LPR4	5500	3970	18	10	14	28	181	7	240	H50086
SB 307-LPR4	7000	4960	22	8	11	26	171	7	240	H50087
SB 307-LG6	7000	4960	22	13	18	26	171	7	350	H50124
SB 309-LPR4	9000	6285	26	6	9	24	163	7	220	H50125
SB 309-LG6	9000	6285	26	10	14	24	163	7	350	H50088
SB 310-LG6	12000	8460	28	7	10	24	168	7	350	H50126
SB 311-LG6	16000	10655	34	5	7.5	19	144	7	350	H50089
SB 313-LG6	20000	13610	38	4	6	19	151	7	350	H50090

## Options

TYPE	Grooved drum	Cable tensioning device with scored cable drum	Longer cable drum, up to 500 mm	Electric rope winch SB-E		
				3-layer paint coating*	Drum cover	Spindle limit switch (as an operating limit switch)
SB 300	Order No. H50206	H50208	H50231	H50450	H50454	H50210
SB 301	Order No. H50207	H50209	H50232	H50450	H50454	H50210
SB 303	Order No. H50219	H50217	H50212	H50450	H50454	H50210
SB 305	Order No. H50219	H50217	H50238	H50450	H50454	H50210
SB 306	Order No. H50220	H50217	H50213	H50451	H50455	H50210
SB 307	Order No. H50220	H50218	H50239	H50451	H50455	H50210
SB 309	Order No. H50221	H50218	H50214	H50452	H50456	H50210
SB 310	Order No. H50222	H50218	H50215	H50452	H50456	H50210
SB 311	Order No. H50222	H50218	H50247	H50452	H50456	H50210
SB 313	Order No. H50223	H50392	H50216	H50452	H50456	H50210
SB 315	Order No. H50390	H50233	H50393	H50453	H50457	H50210
SB 316	Order No. H50391	H50233	H50394	H50453	H50457	H50210

We can offer an adapted control for the SB winches according to your directions!

\* Acc. ISO 12944 C4 (high) – System C5-M-Marine (very high), quoted price x 2



TYPE	Weight kg	D1 mm	D2 mm	L1 mm	L2 mm	L3(E) mm	L3(H) mm	L3(P) mm	L4 mm	L6 mm	L7 mm	L8 mm	L9 mm	H1 mm	H2 mm	H3 mm	W1 mm	W2 mm	HEB mm	Hole Ø mm
SB 300	250	178	410	500	135	1350	-	1450	385	80	540	80	20	100	215	520	500	460	100	14
SB 301	250	195	410	500	155	1350	-	1450	405	80	540	80	20	100	215	520	500	460	100	14
SB 303	400	244	500	500	155	1600	1350	1650	405	80	550	80	20	100	260	610	600	560	100	14
SB 305	400	272	500	500	155	1650	1350	1800	405	80	550	80	20	100	260	610	600	560	100	14
SB 306	510	355	600	500	165	1700	1450	1850	415	80	560	80	20	100	310	710	700	660	100	18
SB 307	790	406	700	500	200	1950	1550	1900	450	100	560	100	25	120	360	830	800	750	120	20
SB 309	1100	455	850	500	230	2000	1550	1900	480	110	560	110	30	140	435	1000	1000	940	140	22
SB 310	1420	508	900	500	235	2100	1600	1950	485	120	590	120	40	160	460	1070	1100	1040	160	26
SB 311	1740	508	1000	500	259	2150	1600	1950	509	120	590	120	40	160	510	1170	1150	1090	160	30
SB 313	2320	610	1150	500	260	2150	1700	1950	510	120	590	120	40	180	585	1340	1350	1280	180	32
SB 315	3400	711	1350	500	299	2600	2050	-	549	140	590	140	40	200	685	1560	1550	1470	200	36
SB 316	2900	711	1400	500	299	2650	2100	-	549	140	590	140	40	200	710	1610	1600	1520	200	36