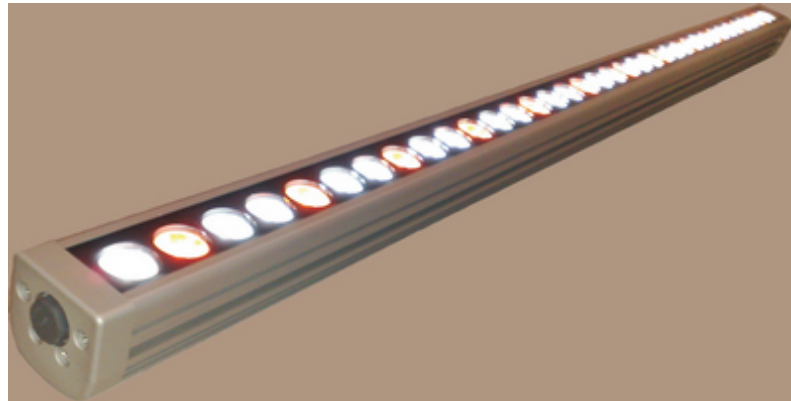


L-BOL36-XX5XY

# BOLOGNA DESIGN

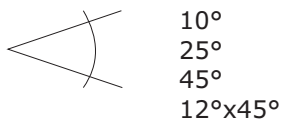
High Power IP67 LED Line



- Architectural lighting
- Wall washing
- Landscape lighting



available colors



6 to 36 LED 1 or 3W, in monochromatic or RGB.

Power Consumption: 12, 24 or 36W

Operating life@25°C > 50 000h

Power supply:

Monochromatic: 350, 700 or 1050mA current external driver

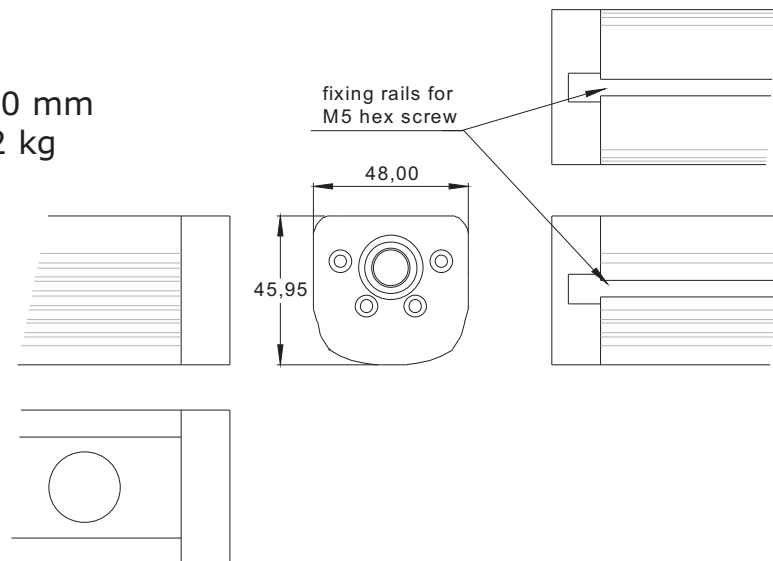
RGB: 350, 700 or 1050mA current external color controller

ARKANZ has the complete solutions for driving these lamps, contact us for more information

## DIMENSIONS

Length: 350 / 650 / 950 mm

Weight: 1.2 / 2.2 / 3.2 kg



# ARKANZ

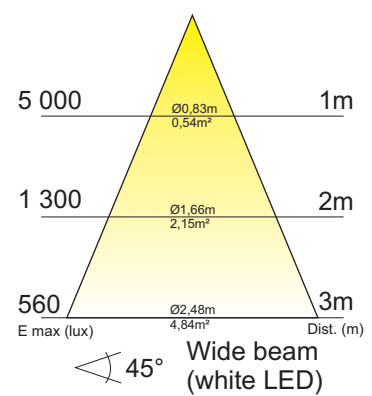
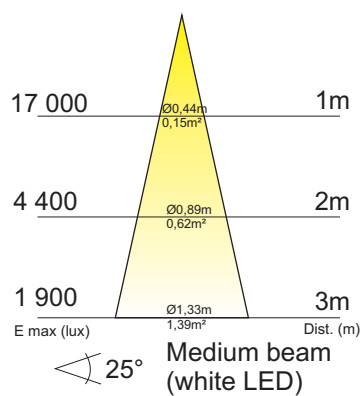
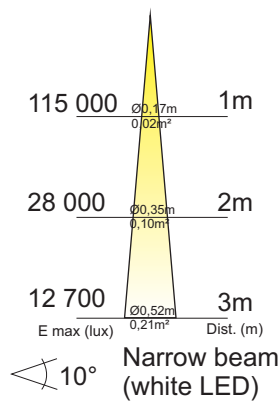
www.arkanz.com

DATA SHEET  
TECHNISCHE DATEN

CARATTERISTICHE TECNICHE  
SPECIFICATION TECHNIQUE

**LIGHTING PERFORMANCE**

Light distribution for a 36W cold white lamp (data available for other powers and colors)



**MATERIAL**

- Front glass: Clear tempered glass (partly black ceramic printed)
- Material: body :Aluminum  
fixing bracket: Stainless steel
- Color: Clear anodized aluminum

**INSTALLATION**

- Monochromatic: ARKANZ LED driver for 350, 700 or 1050mA
- RGB: ARKANZ color controller 350, 700 or 1050mA
- Connexion: Ip67 connector - color coded cable:monochromatic - 2 wires / RGB - 6 wires

**PRODUCT CODE**

**L-BOL36-XX5Yx**

XX LED power and length: OX for 1W LEDs; FX for 2W LEDs  
 : X9 for 950mm; X6 for 650mm; X3 for 350mm

Yx color & angle : 6x for RGB; 1x for white  
 : N=10°; M=25°; W=45°; E=12°x45°

example: L-BOL36-O956N:  
 Power 36W - 18x2W LEDs - Color RGB - Angle Narrow 10°