



Microscope · Mikroskop ·

Analyth LCD

EN Instruction manual

DE Bedienungsanleitung

DE Besuchen Sie unsere Website über den folgenden QR Code oder Weblink um weitere Informationen zu diesem Produkt oder verfügbare Übersetzungen dieser Anleitung zu finden.

EN Visit our website via the following QR Code or web link to find further information on this product or available translations of these instructions.

FR Si vous souhaitez obtenir plus d'informations concernant ce produit ou rechercher ce mode d'emploi en d'autres langues, rendez-vous sur notre site Internet en utilisant le code QR ou le lien correspondant.

NL Bezoek onze internetpagina via de volgende QR-code of weblink, voor meer informatie over dit product of beschikbare vertalingen van deze gebruiksaanwijzing.

ES ¿Desearía recibir unas instrucciones de uso completas sobre este producto en un idioma determinado? Entonces visite nuestra página web utilizando el siguiente enlace (código QR) para ver las versiones disponibles.

IT Desidera ricevere informazioni esaustive su questo prodotto in una lingua specifica? Venga a visitare il nostro sito Web al seguente link (codice QR Code) per conoscere le versioni disponibili.



www.bresser.de/P5809100



GARANTIE · WARRANTY · GARANTÍA · GARANZIA



www.bresser.de/warranty_terms

English	4
Deutsch	12

1 Imprint (German)

Bresser GmbH

Gutenbergstr. 2
46414 Rhede
Germany

<http://www.bresser.de>

For any warranty claims or service enquiries, please refer to the information on "Warranty" and "Service" in this documentation. We apologize for any inconvenience caused by the fact that we cannot process enquiries or submissions sent directly to the manufacturer's address.

Errors and technical changes excepted.

© 2021 Bresser GmbH

All rights reserved.

The reproduction of this documentation - even in extracts - in any form (e.g. photocopy, print, etc.) as well as the use and distribution by means of electronic systems (e.g. image file, website, etc.) without the prior written permission of the manufacturer is prohibited.

The designations and brand names of the respective companies used in this documentation are generally protected by trade, trademark and/or patent law in Germany, the European Union and/or other countries.

2 Validity note

This documentation is valid for the products with the following article numbers:

5809100

Manual version: 0221

Manual designation:

Manual_5809100_Analyth-LCD_en-de_BRESSER_v022021a

Always provide information when requesting service.

3 About this Instruction Manual



NOTICE

These operating instructions are to be considered a component of the device.

Read the safety instructions and the operating manual carefully before using this device.

Keep this instruction manual in a safe place for future reference. When the device is sold or given to someone else, the instruction manual must be provided to the new owner/user of the product.

4 Intended use

- This device is not intended for use by persons (including children) with impaired physical, sensory or mental abilities, or for lack of experience and/or knowledge, unless they are supervised by or have received instructions from a person responsible for their safety on how to use this device.
- This device is for personal use only.
- It was developed for an magnified representation of nature observations.
- The device is intended only for indoor use.

5 General safety instructions



DANGER

Risk of an electric shock!

This device contains electronic parts that are powered by a power source (AC adapter and/or batteries). Improper use of this product may result in electric shock. Electric shock can cause serious or fatal injuries. It is therefore imperative that you observe the following safety information.

- Disconnect the power supply by pulling the mains plug when the appliance is not in use, in case of a longer interruption of operation and before any maintenance and cleaning work.
- Place your device so that it can be disconnected from the power supply at any time. The power outlet should always be near your appliance and should be easily accessible, as the plug of the power cord serves as a disconnect device from the mains supply.
- To disconnect the unit from the mains, always pull the mains plug and never pull the cable!
- Check this device, cables and connections for damage before use.
- Never attempt to operate a damaged device, or a device with damaged electrical parts! Damaged parts must be replaced immediately by an authorized service agent.
- Operate the device only in a completely dry environment and do not touch the device with wet or damp body parts.



DANGER

Danger of suffocation!

Improper use of this product may result in suffocation, especially for children. It is therefore imperative that you observe the following safety information.

- Keep packaging materials (plastic bags, rubber bands, etc.) away from children! There is a danger of choking!
- This product contains small parts that can be swallowed by children! Choking hazard!
- If small parts are swallowed, consult a doctor immediately!



DANGER

Explosion hazard!

Improper use of this product may result in fire. It is essential that you observe the following safety information in order to avoid fires.

- Do not expose the device to high temperatures. Use only the supplied AC adapter. Do not short-circuit the device or batteries or dispose of in fire! Excessive heat and improper handling can cause short circuits, fires and even explosions!



CAUTION

Risk of body injury!

This device contains components and/or accessories that can cause minor or serious body injury if used improperly. It is therefore essential that you observe the following safety information in order to prevent body injuries.

- Sharp-edged and pointed tools are often used for working with this device. Therefore, keep this device and all accessories and tools in a place inaccessible to children. Danger of body injury!

-
- Chemicals and liquids do not belong in children's hands! Don't drink! Clean hands thoroughly under running water after use. In case of accidental contact with eyes or mouth, rinse with water. In case of complaints, consult a doctor immediately and show the substances.



CAUTION

Fire hazard!

Improper use of this product may result in fire. It is essential that you observe the following safety information in order to avoid fires.

- Never cover the ventilation slots or cooling fins of the device during operation or until it has cooled down completely!



NOTICE

Danger of material damage!

Improper handling may result in damage to the unit and/or accessories. Therefore, use the device only in accordance with the following safety information.

- Do not disassemble the device! In the event of a defect, please contact your dealer. They will contact the Service Center and can arrange the return of this device for repair if necessary.
- Do not expose the device to high temperatures and protect it from water and high humidity.
- Do not subject the device to excessive vibrations.
- Only use accessories and spare parts for this device that comply with the technical specifications.

6 About this microscope

Since this microscope is a digital microscope, it is only suitable for visual observation to a limited extent.

It is equipped with a lens and a camera sensor for capturing images. The digital images can be viewed directly on the built-in LCD display or optionally stored on a MicroSD memory card*.

*not included

7 Choice of location

Choose a suitable location before installation and commissioning.

Place the device on a stable, level and vibration-free surface.

8 Parts overview and scope of delivery

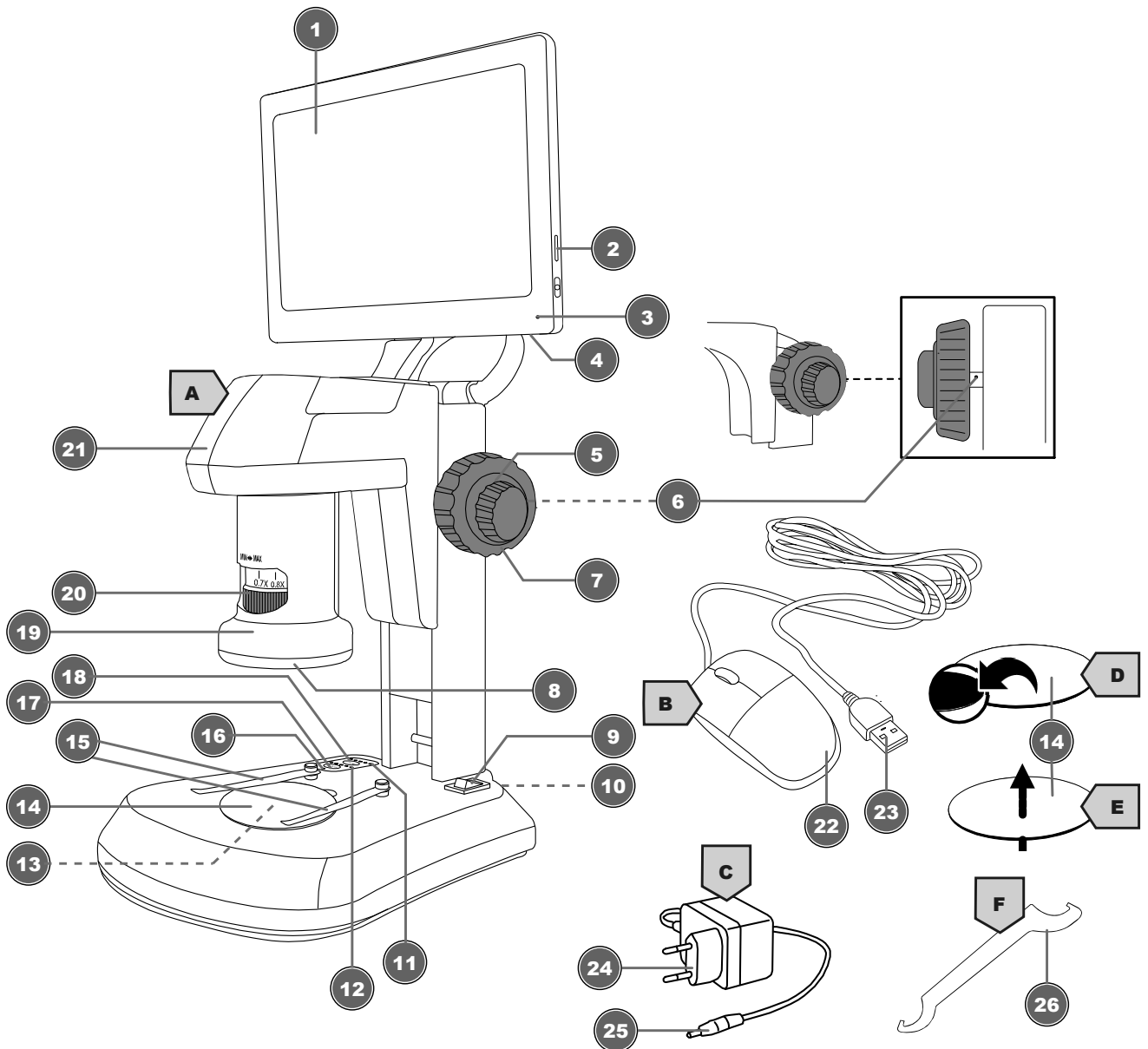


Illustration 1: All parts of the microscope

1 LCD display (movable)	2 Memory card slot (MicroSD card*)
3 Function light (display)	4 USB-A port (mouse*)
5 Coarse focus	6 Friction adjustment
7 Fine focus	8 Incident lighting
9 On/Off switch	10 DC connection socket (power)
11 Function lights (incident light brightness)	12 Function lights (transmitted light brightness)
13 Translucent lighting	14 Object plate, exchangeable
15 Object clamps	16 Function light (voltage)
17 "Tra" button (translucent lighting)	18 "Inc" button (incident lighting)
19 Objective	20 Zoom ring
21 Microscope head	22 Mouse
23 USB A connector	24 Mains plug
25 DC barrel connector	26 Hook wrench

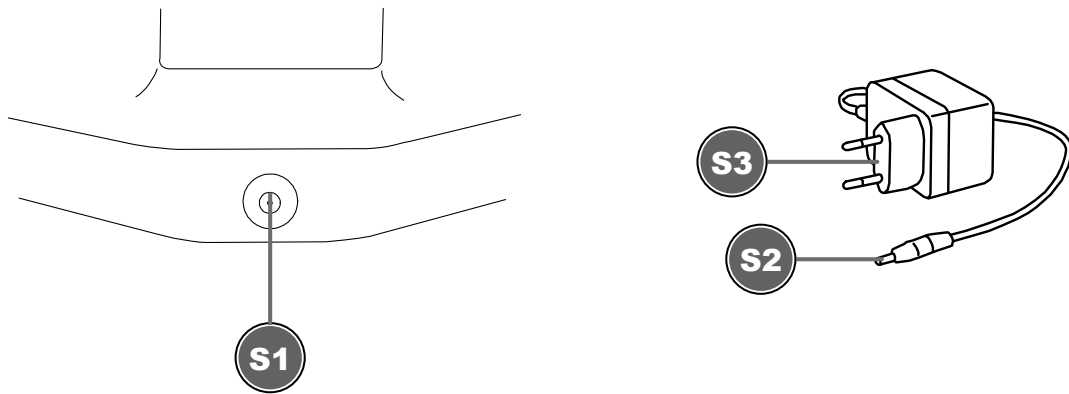
*not included

Scope of delivery:

Microscope (A), mouse (B), power adapter (C), object plate (black/white) (D), object plate (semi-transparent) (E), hook wrench (F)

For object measurements, the use of a micrometer scale slide is recommended.

9 Power supply



S1 Connection socket for DC barrel connector

S2 DC barrel connector

S3 Mains plug

1. Insert the DC barrel connector of the mains adapter into the DC connection socket of the device.
2. Insert the mains plug of the mains adapter into the socket.

The function light for the power supply is on. The device is ready for use.

10 Turning on/off the device

1. Move On/Off switch to position 'I' to turn on the device.
2. Move On/Off switch to 'O' position to turn off the device.

11 Adjusting the zoom

The microscope optics have a zoom range from 0.7x to 4.5x.

The zoom range can be changed by turning the zoom ring.

NOTICE! When changing the zoom range, the focus may also need to be adjusted. (see also "Focusing the object")

12 Focusing the object

The microscope has coarse and fine focusing. These can be used for object focusing as described below.

1. Make the desired zoom setting.
2. Focus on the observation object using coarse focusing.
3. If necessary, adjust the object sharpness individually by fine focusing, especially when changing the zoom setting and/or the height of the microscope head.

13 Adjusting the friction

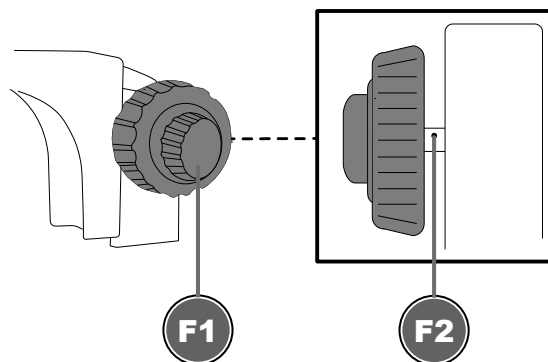


Illustration 2: Friction adjustment on the focus wheel (left or right, depending on model).

F1 Focus wheel

F2 Bore

The friction for focusing can be adjusted individually as follows:

1. Loosen the clamping screw for the counter ring and move the counter ring down completely.
2. Hold the microscope head with one hand and loosen the locking screw.
3. Continue to hold the microscope head. Insert the hook wrench into the bore on the drive shaft. By turning the wrench, the friction adjustment can be either tightened or loosened.
4. Check the friction setting by turning the focus wheel.

WARNING! If the friction setting is too loose, the microscope head may move downward by itself. The microscope optics and/or other attached components can thus be damaged due to a shock!

NOTICE! The tighter the friction setting, the more stiffly is the focus wheel.

14 Working with the onscreen menu

1. Connect the mouse* to the USB-A port of the microscope.
2. Move the On/Off switch to the "I" position.
3. Position the object on the object plate and set the appropriate illumination (see "Adjusting the illumination")
4. An image of the object is shown on the LCD display and the mouse pointer is visible.
5. Move the mouse pointer to the left or bottom edge of the display to show the desired display menu.

Left display menu



Image capturing: Clicking this button will take a photo. Info appears briefly: "Image capture successful"

Video: Clicking this button starts a video record. Info appears briefly: "Recording in progress...". In the upper right corner the recording time starts to run. Clicking the button again will stop the video. Info appears briefly: "Video successful".

Preview: You can view captured photos and videos in the preview. Double-click to display the desired image. Press the "Back" button to return to the live image. Within the preview you can scroll and also delete photos.

Measurement: In order to take measurements with the microscope, a reference is required to calibrate the software.

For this purpose we recommend our microscope slide with micrometer scale: Art. No. 5916720.

Detailed information on measurement can be found in the further instructions.

Settings: The camera operates in automatic mode by default. Changing the settings is recommended only for experienced users.

Menu language: German, English, French, Chinese.

Date and time: The clock continues to run as long as the power supply is established.

Bottom display menu



Zoom in: Click the icon several times to zoom in up to 10 times (digital zoom)

Zoom out: Click the icon several times to reset the magnification step by step

Mirroring: Horizontal image mirroring

Rotation: Image rotation by 180 degr.

Black and white: Image display in grayscales

HDR: Function for improved image reproduction at different brightness ranges

Freeze frame: Stops the live image. No recording is made. Click again to start.

Grid: Display of a grid or scale bar as a cross. For more information, see "Grid settings"

Color: Adjusting the display of lines and labels for the measurement function

Comparison: A previously taken photo is placed next to the live image

15 Save recordings

1. Put the microscope into operation.
2. Insert a suitable memory card* into the memory card slot.
3. **CAUTION! The contacts of the memory card must face to the back of the display. Memory cards that are inserted incorrectly can cause electrical damage. The recordings stored on the memory card can be irreversibly deleted and the device may be damaged.**
4. Image captures or videos can be saved to the memory card via the display menu (see "Working with the onscreen menu").

*MicroSD card up to maximum 32 GB (not included)

16 Grid settings

1. Put the microscope into operation.
2. Set the desired grid setting in the onscreen menu:
Activating the scale bar displays a cross with a grid. This shows the scale of the set calibration value.
By activating "activate all" a grid pattern is evenly distributed on the screen.
3. With "Reset grid" the original grid is set again.
4. In the "Grid settings" all lines can be adjusted.
5. Click "Save" to confirm the settings.
6. Click on "Back" to exit the menu.

17 Important notes

Magnification: The magnification values indicated on the objective refer to the objective magnification. The magnification is displayed on the screen as follows:

0.7x - 8.1x, 1x - 11.5x, 2x - 23x, 4.5x - 51.8x

These values may vary slightly depending on the design. The exact magnification is determined as follows:

1. Place a measuring scale* on the microscope and bring it into focus
2. Measure the scale on the screen.
3. Divide the measured value by the real value.

If saved images are transferred to a PC, for example, the magnification also changes due to the larger screen

Measurements: If measurements are made with the microscope, make sure that always the same values are set. The magnification markings help with this. The object height does not matter, since the working distance does not change at the corresponding magnification. For object measurements, the use of an optionally available microscope slide with measuring scale* is recommended.

18 EC declaration of conformity



A "Declaration of conformity" in accordance with the applicable directives and corresponding standards has been prepared by Bresser GmbH. The full text of the EC declaration of conformity is available at the following Internet address: www.bresser.de/download/5809100/CE/5809100_CE.pdf

19 Disposal



Dispose of the packaging materials properly, according to their type, such as paper or cardboard. Contact your local waste-disposal service or environmental authority for information on the proper disposal.



Do not dispose of electronic devices in the household garbage!

According to the European Directive 2012/19/EU on Waste Electrical and Electronic Equipment and its transposition into national law, used electrical equipment must be collected separately and recycled in an environmentally sound manner.

20 Warranty

The regular warranty period is 5 years and starts on the day of purchase. For full warranty terms and services, please visit www.bresser.de/warranty_terms.

1 Impressum

Bresser GmbH

Gutenbergstr. 2

46414 Rhede

Germany

<http://www.bresser.de>

Für etwaige Gewährleistungsansprüche oder Serviceanfragen verweisen wir auf die Informationen zu „Garantie“ und „Service“ in dieser Dokumentation. Wir bitten um Verständnis, dass direkt an die Hersteller-Anschrift gerichtete Anfragen oder Einsendungen nicht bearbeitet werden können.

Irrtümer und technische Änderungen vorbehalten.

© 2021 Bresser GmbH

Alle Rechte vorbehalten.

Die Reproduktion dieser Dokumentation – auch auszugsweise – in irgendeiner Form (z.B. Fotokopie, Druck, etc.) sowie die Verwendung und Verbreitung mittels elektronischer Systeme (z.B. Bilddatei, Website, etc.) ohne eine vorherige schriftliche Genehmigung des Herstellers ist nicht gestattet.

Die in dieser Dokumentation verwendeten Bezeichnungen und Markennamen der jeweiligen Firmen sind im Allgemeinen in Deutschland, der Europäischen Union und/oder weiteren Ländern waren-, marken- und/oder patentrechtlich geschützt.

2 Gültigkeitshinweis

Diese Dokumentation ist gültig für die Produkte mit den nachfolgend aufgeführten Artikelnummern:

5809100

Anleitungsversion: 0221

Bezeichnung dieser Anleitung:

Manual_5809100_Analyth-LCD_en-de_BRESSER_v022021a

Informationen bei Serviceanfragen stets angeben.

3 Zu dieser Anleitung



HINWEIS

Diese Bedienungsanleitung ist als Teil des Gerätes zu betrachten!

Lesen Sie vor der Benutzung des Geräts aufmerksam die Sicherheitshinweise und die Bedienungsanleitung.

Bewahren Sie diese Bedienungsanleitung für die erneute Verwendung zu einem späteren Zeitpunkt auf. Bei Verkauf oder Weitergabe des Gerätes ist die Bedienungsanleitung an jeden nachfolgenden Besitzer/Benutzer des Produkts weiterzugeben.

4 Verwendungszweck

- Dieses Gerät ist nicht dafür bestimmt, durch Personen (einschließlich Kinder) mit eingeschränkten physischen, sensorischen oder geistigen Fähigkeiten oder mangels Erfahrung und/oder mangels Wissen benutzt zu werden, es sei denn, sie werden durch eine für ihre Sicherheit zuständige Person beaufsichtigt oder erhielten von ihr Anweisungen, wie das Gerät zu benutzen ist.
- Dieses Gerät dient ausschließlich der privaten Nutzung.
- Es wurde entwickelt zur vergrößerten Darstellung von Naturbeobachtungen.

- Das Gerät ist nur für den Betrieb in Innenräumen bestimmt!

5 Allgemeine Sicherheitshinweise



GEFAHR

Gefahr eines Stromschlags!

Dieses Gerät beinhaltet Elektronikteile, die über eine Stromquelle (Netzteil und/oder Batterien) betrieben werden. Bei unsachgemäßer Verwendung dieses Produkts besteht die Gefahr eines Stromschlags. Ein Stromschlag kann zu schweren bis tödlichen Verletzungen führen. Beachten Sie daher unbedingt die nachfolgenden Sicherheitsinformationen.

- Unterbrechen Sie die Stromzufuhr, wenn Sie das Gerät nicht benutzen, im Falle einer längeren Betriebsunterbrechung sowie vor allen Wartungs- und Reinigungsarbeiten, indem Sie den Netzstecker ziehen.
- Platzieren Sie Ihr Gerät so, dass es jederzeit vom Stromnetz getrennt werden kann. Die Netzsteckdose sollte sich immer in der Nähe Ihres Geräts befinden und gut zugänglich sein, da der Stecker des Netzkabels als Trennvorrichtung zum Stromnetz dient.
- Um das Gerät vom Stromnetz zu trennen, ziehen Sie immer am Netzstecker und niemals am Kabel!
- Überprüfen Sie das Gerät, die Kabel und Anschlüsse vor Inbetriebnahme auf Beschädigungen.
- Beschädigtes Gerät oder ein Gerät mit beschädigten stromführenden Teilen niemals in Betrieb nehmen! Beschädigte Teile müssen umgehend von einem autorisierten Service-Betrieb ausgetauscht werden.
- Betreiben Sie das Gerät nur in vollkommen trockener Umgebung und berühren Sie das Gerät nicht mit nassen oder feuchten Körperteilen.



GEFAHR

Erstickungsgefahr!

Bei unsachgemäßer Verwendung dieses Produkts besteht Erstickungsgefahr, insbesondere für Kinder. Beachten Sie deshalb unbedingt die nachfolgenden Sicherheitsinformationen.

- Verpackungsmaterialien (Plastiktüten, Gummibänder, etc.) von Kindern fernhalten! Es besteht Erstickungsgefahr!
- Dieses Produkt beinhaltet Kleinteile, die von Kindern verschluckt werden können! Es besteht Erstickungsgefahr!
- Wenn Kleinteile verschluckt wurden, unverzüglich einen Arzt aufsuchen!



GEFAHR

Explosionsgefahr!

Bei unsachgemäßer Verwendung dieses Produkts besteht Explosionsgefahr. Beachten Sie unbedingt die nachfolgenden Sicherheitsinformationen, um eine Explosion zu vermeiden.

- Setzen Sie das Gerät keinen hohen Temperaturen aus. Benutzen Sie nur das mitgelieferte Netzteil. Gerät nicht kurzschließen oder ins Feuer werfen! Durch übermäßige Hitze und unsachgemäße Handhabung können Kurzschlüsse, Brände und sogar Explosionen ausgelöst werden!

VORSICHT



Verletzungsgefahr!

Dieses Gerät beinhaltet Bau- und/oder Zubehörteile, durch die bei unsachgemäßer Verwendung leichte bis schwere Verletzungen hervorgerufen werden können. Beachten Sie deshalb unbedingt die nachfolgenden Sicherheitsinformationen, um entsprechenden Verletzungen vorzubeugen.

- Für die Arbeit mit diesem Gerät werden häufig scharfkantige und spitze Hilfsmittel eingesetzt. Bewahren Sie deshalb dieses Gerät sowie alle Zubehörteile und Hilfsmittel an einem für Kinder unzugänglichen Ort auf. Es besteht Verletzungsgefahr!
- Chemikalien und Flüssigkeiten gehören nicht in Kinderhände! Nicht trinken! Hände nach Gebrauch unter fließendem Wasser gründlich säubern. Bei versehentlichem Kontakt mit Augen oder Mund mit Wasser spülen. Bei Beschwerden unverzüglich einen Arzt aufsuchen und die Substanzen vorzeigen.

VORSICHT



Brandgefahr!

Bei unsachgemäßer Verwendung dieses Produkts besteht Brandgefahr. Beachten Sie unbedingt die nachfolgenden Sicherheitsinformationen, um die Entstehung von Bränden zu vermeiden.

- Decken Sie die Lüftungsschlitze oder Kühlrippen des Geräts während des Betriebs oder solange es noch nicht vollständig abgekühlt ist niemals ab!

HINWEIS



Gefahr von Sachschäden!

Bei unsachgemäßer Handhabung können das Gerät und/oder die Zubehörteile beschädigt werden. Verwenden Sie das Gerät deshalb nur entsprechend den nachfolgenden Sicherheitsinformationen.

- Bauen Sie das Gerät nicht auseinander! Wenden Sie sich im Falle eines Defekts an Ihren Fachhändler. Er nimmt mit dem Service-Center Kontakt auf und kann das Gerät ggf. zwecks Reparatur einschicken.
- Setzen Sie das Gerät keinen hohen Temperaturen aus und schützen Sie es vor Wasser und hoher Luftfeuchtigkeit.
- Setzen Sie das Gerät keinen Erschütterungen aus.
- Verwenden Sie für dieses Gerät nur Zubehör- und Ersatzteile die den technischen Angaben entsprechen.

6 Über dieses Mikroskop

Da es sich bei diesem Mikroskop um ein Digitalmikroskop handelt, ist es nur bedingt für eine visuelle Beobachtung geeignet.

Es ist mit einem Objektiv und einem Kamerasensor zur Bildaufnahme ausgestattet. Die digitalen Aufnahmen können über das eingebaute LCD-Display direkt betrachtet oder optional auf einer MicroSD-Speicherkarte* gespeichert werden.

*nicht im Lieferumfang enthalten

7 Standortwahl

Vor dem Aufbau und der Inbetriebnahme einen geeigneten Standort wählen.

Gerät auf einem stabilen, ebenen und erschütterungsfreien Untergrund platzieren.

8 Teileübersicht und Lieferumfang

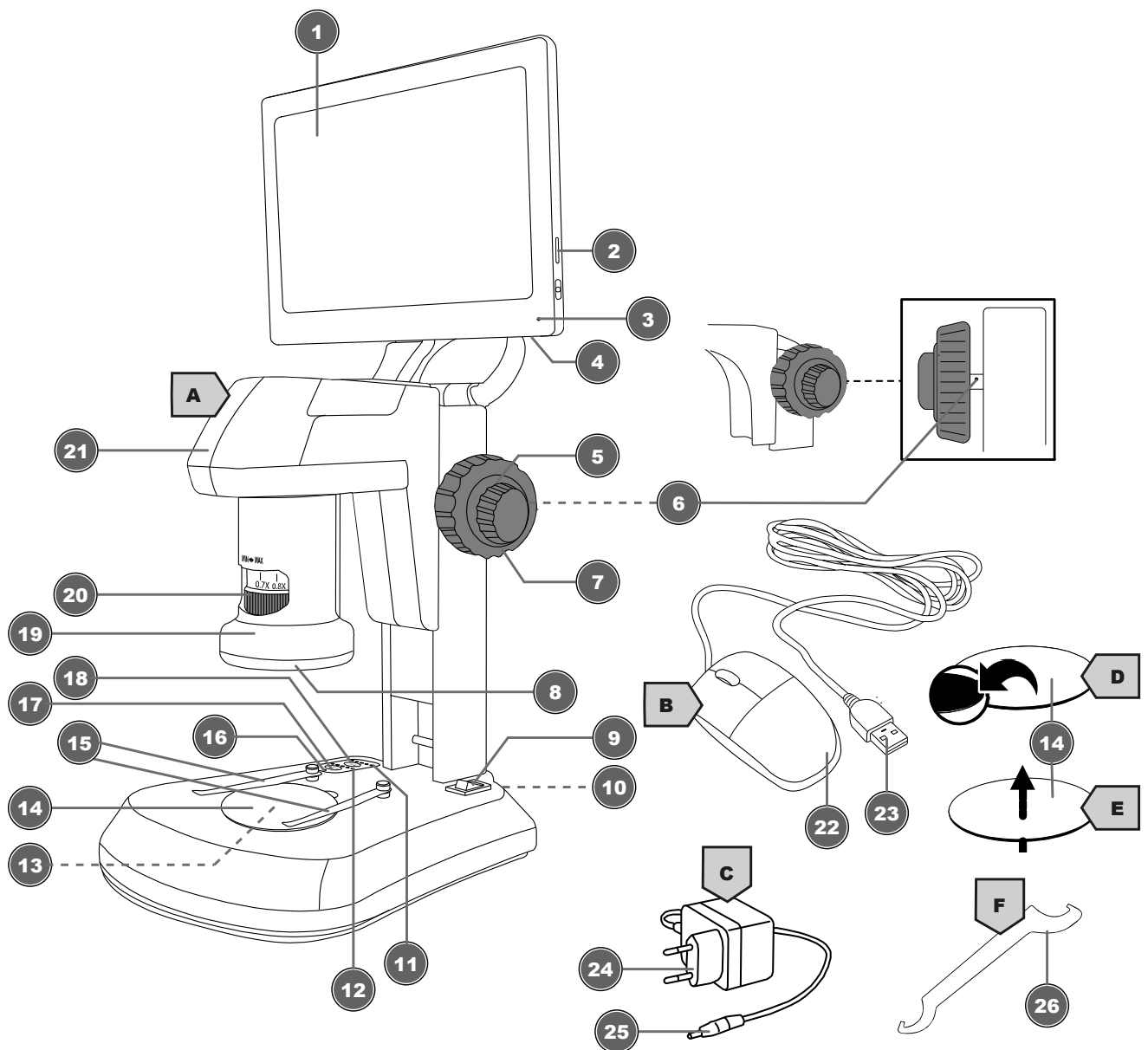


Abb. 1: Alle Teile des Mikroskops

1 LCD-Display (beweglich)	2 Speicherkarten-Einschub (MicroSD-Karte*)
3 Funktionsleuchte (Display)	4 USB-A-Anschlussbuchse (Maus*)
5 Grobfokussierung	6 Friktionseinstellung
7 Feinfokussierung	8 Auflicht-Beleuchtung
9 Ein/Aus-Schalter	10 DC-Anschlussbuchse (Spannung)
11 Funktionsleuchten (Auflicht-Helligkeit)	12 Funktionsleuchten (Durchlicht-Helligkeit)
13 Durchlicht-Beleuchtung	14 Objektplatte, auswechselbar
15 Objektivklemmen	16 Funktionsleuchte (Spannung)
17 „Tra“-Taste (Durchlicht-Beleuchtung)	18 „Inc“-Taste (Auflicht-Beleuchtung)
19 Objektiv	20 Zoom-Ring
21 Mikroskop-Kopf	22 Maus
23 USB-A-Stecker	24 Netzstecker
25 DC-Hohlstecker	26 Hakenschlüssel

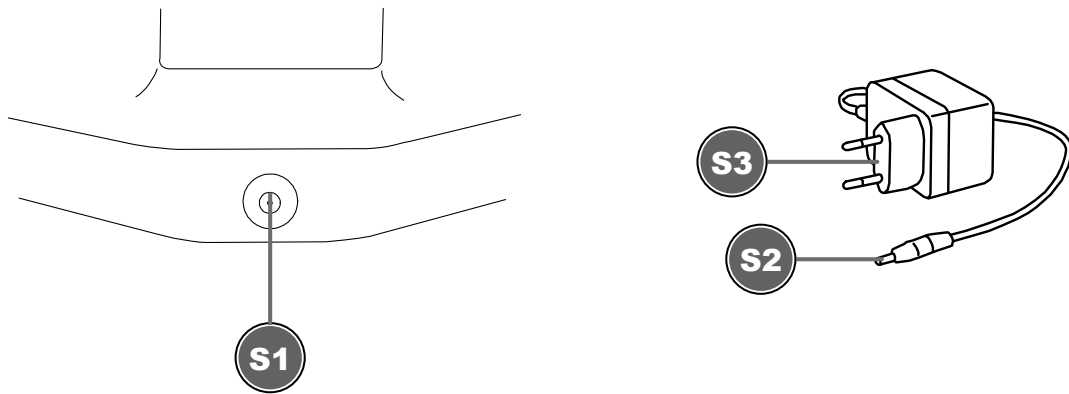
*nicht im Lieferumfang enthalten

Lieferumfang:

Mikroskop (A), Maus (B), Netzadapter (C), Objektplatte (schwarz/weiß) (D), Objektplatte (halbtransparent) (E), Hakenschlüssel (F)

Für Objektmessungen wird die Verwendung eines Objektträgers mit Mikrometerskala empfohlen.

9 Stromversorgung herstellen



S1 Anschlussbuchse für DC-Hohlstecker

S2 DC-Hohlstecker

S3 Netzstecker

1. DC-Hohlstecker des Netzadapters in die DC-Anschlussbuchse des Gerätes stecken.
2. Netzstecker des Netzadapters in die Steckdose stecken.

Die Funktionsleuchte für die Spannungsversorgung leuchtet. Das Gerät ist einsatzbereit.

10 Gerät ein-/ausschalten

1. Ein/Aus-Schalter in die Position ‚I‘ bewegen, um das Gerät einzuschalten.
2. Ein/Aus-Schalter in die Position ‚O‘ bewegen, um das Gerät auszuschalten.

11 Zoom-Einstellung vornehmen

Die Mikroskop-Optik verfügt über einen Zoom-Bereich von 0,7x bis 4,5x.

Durch Drehen am Zoom-Ring kann der Zoom-Bereich verändert werden.

HINWEIS! Bei einer Änderung des Zoom-Bereichs muss ggf. auch die Fokussierung angepasst werden. (siehe auch „Objekt fokussieren“)

12 Objekt fokussieren

Das Mikroskop verfügt über eine Grob- und Feinfokussierung. Diese können wie nachfolgend beschrieben zur Objekt-Fokussierung genutzt werden.

1. Gewünschte Zoom-Einstellung vornehmen.
2. Beobachtungsobjekt mittels Grobfokussierung scharf stellen (fokussieren).
3. Objektschärfe ggf. per Feinfokussierung individuell anpassen, insbesondere bei Veränderung der Zoom-Einstellung und/oder der Mikroskop-Kopfhöhe.

13 Friktion einstellen

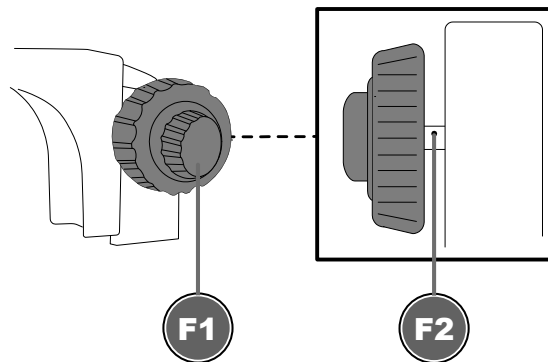


Abb. 2: Friktionseinstellung am Fokusrad (modellabhängig links oder rechts).

F1 Fokusrad

F2 Bohrung

Die Friktion für die Fokussierung kann folgendermaßen individuell eingestellt werden:

1. Die Klemmschraube für den Konterring lösen und den Konterring ganz nach unten schieben.
2. Den Mikroskop-Kopf mit einer Hand festhalten und die Feststellschraube lösen.
3. Den Mikroskop-Kopf weiterhin festhalten. Den Hakenschlüssel in das Loch an der Triebwelle einsetzen. Durch Drehen des Schlüssels kann die Friktionseinstellung entweder fester angezogen oder gelöst werden.
4. Die Friktionseinstellung durch Drehen am Fokusrad überprüfen.

WARNUNG! Bei einer zu lockeren Friktionseinstellung kann sich der Mikroskop-Kopf selbstständig nach unten bewegen. Die Mikroskop-Optik und/oder weitere angebrachte Komponenten können so aufgrund einer Erschütterung Schaden nehmen!

HINWEIS! Je fester die Friktionseinstellung, desto schwergängiger ist die Fokussierung.

14 Arbeiten mit dem Display-Menü

1. Die Maus* am USB-A-Anschluss des Mikroskops anschließen.
2. Den Ein/Aus-Schalter in die Position „I“ bewegen.
3. Das Objekt auf der Objektplatte positionieren und die passende Beleuchtung einstellen (sh. „Beleuchtung einstellen“).
4. Auf dem LCD-Display wird ein Bild des Objektes angezeigt und der Mauszeiger ist sichtbar.
5. Den Mauszeiger mit der Maus an den linken oder unteren Bildrand bewegen, um das gewünschte Display-Menü anzuzeigen.

Display-Menü links



Bildaufnahme: Durch einen Klick auf diese Schaltfläche wird ein Foto aufgenommen. Es erscheint kurz: „Bildaufnahme erfolgreich“

Video: Durch einen Klick auf diese Schaltfläche wird eine Videoaufnahme gestartet. Es erscheint kurz: „Aufnahme läuft...“. Oben rechts beginnt die Aufnahmezeit mitzulaufen. Durch einen erneuten Klick auf die Schaltfläche wird das Video gestoppt. Es erscheint kurz: „Video erfolgreich“.

Vorschau: In der Vorschau können Sie auf aufgenommene Fotos und Videos zugreifen. Ein Doppelklick zeigt das gewünschte Bild an. Mit der Schaltfläche „Zurück“ erreichen Sie wieder das Livebild. Innerhalb der Vorschau können Sie blättern und auch Fotos löschen.

Messung: Um mit dem Mikroskop Messungen vornehmen zu können, ist eine Referenz erforderlich, um die Software zu kalibrieren.

Hierfür empfehlen unseren Objektträger mit Mikrometerskala: Art.-Nr. 5916720.

Detailinformationen zur Messung finden Sie in der weiterführenden Anleitung.

Einstellung: Die Kamera arbeitet standardmäßig im automatischen Modus. Eine Veränderung der Einstellungen wird nur erfahrenen Nutzern empfohlen.

Menüsprache: Deutsch, Englisch, Französisch, Chinesisch.

Datum und Uhrzeit: Die Uhrzeit läuft weiter, solange das Netzteil eingesteckt bleibt.

Display-Menü unten



Reinzoomen: Symbol mehrfach anklicken, um bis zu 10-fach zu vergrößern (Digitalzoom)

Rauszoomen: Symbol mehrfach anklicken, um Vergrößerung schrittweise zurückzusetzen

Spiegeln: Horizontale Bildspiegelung

Drehen: Bilddrehung um 180°

Schwarz/Weiß: Bildanzeige in Graustufen

HDR: Funktion für eine verbesserte Bildwiedergabe bei unterschiedlichen Helligkeitsbereichen

Standbild: Stoppen des Livebildes. Es wird keine Aufnahme erstellt. Zum Starten erneut anklicken.

Raster: Anzeige eines Rasters oder Skalierbalkens als Kreuz. Nähere Informationen unter „Raster-Einstellungen“

Farbe: Anpassung der Darstellung von Linien und Beschriftung für die Messfunktion

Vergleich: Ein zuvor aufgenommenes Foto wird neben das Livebild gestellt

15 Aufnahmen speichern

1. Das Mikroskop in Betrieb nehmen.
2. Eine geeignete Speicherkarte* in den Speicherkarten-Einschub schieben.
3. **VORSICHT! Die Kontakte der Speicherkarte müssen zur Display-Rückseite zeigen. Durch eine falsch eingelegte Speicherkarte können Spannungsschäden verursacht werden. Die auf der Speicherkarte gespeicherten Aufnahmen können unwiderruflich gelöscht werden und das Gerät könnte Schaden nehmen.**
4. Über das Display-Menü können Bildaufnahmen oder Videos auf der Speicherkarte gesichert werden (sh. „Arbeiten mit dem Display-Menü“).

*MicroSD-Karte bis max. 32 GB (nicht im Lieferumfang enthalten)

16 Raster-Einstellungen

1. Das Mikroskop in Betrieb nehmen.
2. Im Display-Menü die gewünschte Raster-Einstellung vornehmen:
Durch Aktivieren des Skalierbalkens wird ein Kreuz mit Raster angezeigt. Dieses zeigt den Maßstab des eingestellten Kalibrationswertes.
Durch Aktivieren von „alles aktivieren“ wird ein Rastermuster gleichmäßig auf dem Bildschirm verteilt.

3. Mit „Raster zurücksetzen“ wird das ursprüngliche Raster wieder eingestellt.
4. In den „Raster Einstellungen“ können alle Linien angepasst werden.
5. Zum Bestätigen der Einstellungen auf „Speichern“ klicken.
6. Zum Verlassen des Menüs auf „Zurück“ klicken.

17 Wichtige Hinweise

Vergrößerung: Die auf dem Objektiv angegebenen Vergrößerungswerte beziehen sich auf die Objektivvergrößerung. Auf dem Bildschirm wird die Vergrößerung wie folgt wiedergegeben:

0,7x – 8,1x, 1x – 11,5x, 2x – 23x, 4,5x – 51,8x

Diese Werte können je nach Ausführung leicht variieren. Die genaue Vergrößerung wird wie folgt ermittelt:

1. Eine Messskala* wird auf das Mikroskop auflegen und scharf stellen
2. Skala auf dem Bildschirm nachgemessen.
3. Den gemessenen Wert durch den realen Wert teilen.

Werden gespeicherte Aufnahmen z.B. auf einen PC übertragen, so ändert sich aufgrund des größeren Bildschirms auch die Vergrößerung

Messungen: Falls mit dem Mikroskop Messungen durchgeführt werden, ist darauf zu achten, dass stets die gleichen Werte eingestellt werden. Die Markierungen zur Vergrößerung helfen dabei. Die Objekthöhe spielt dabei keine Rolle, da sich der Arbeitsabstand bei der entsprechenden Vergrößerung nicht verändert. Für Objektmessungen ist die Verwendung eines optional erhältlichen Objektträgers mit Messskala* empfehlenswert.

18 EG-Konformitätserklärung



Eine „Konformitätserklärung“ in Übereinstimmung mit den anwendbaren Richtlinien und entsprechenden Normen ist von der Bresser GmbH erstellt worden. Der vollständige Text der EG-Konformitätserklärung ist unter der folgenden Internetadresse verfügbar: www.bresser.de/download/5809100/CE/5809100_CE.pdf

19 Entsorgung



Entsorgen Sie die Verpackungsmaterialien sortenrein. Informationen zur ordnungsgemäßen Entsorgung erhalten Sie beim kommunalen Entsorgungsdienstleister oder Umweltamt.



Werfen Sie Elektrogeräte nicht in den Hausmüll!

Gemäß der Europäischen Richtlinie 2012/19/EG über Elektro- und Elektronik-Altgeräte und deren Umsetzung in nationales Recht müssen verbrauchte Elektrogeräte getrennt gesammelt und einer umweltgerechten Wiederverwertung zugeführt werden.

20 Garantie

Die reguläre Garantiezeit beträgt 5 Jahre und beginnt am Tag des Kaufs. Die vollständigen Garantiebedingungen und Serviceleistungen können Sie unter www.bresser.de/garantiebedingungen einsehen.

Service

DE AT CH BE

Bei Fragen zum Produkt und eventuellen Reklamationen nehmen Sie bitte zunächst mit dem Service-Center Kontakt auf, vorzugsweise per E-Mail.

E-Mail: service@bresser.de
Telefon*: +49 28 72 80 74 350

BRESSER GmbH
Kundenservice
Gutenbergstr. 2
46414 Rhede
Deutschland

*Lokale Rufnummer in Deutschland (Die Höhe der Gebühren je Telefonat ist abhängig vom Tarif Ihres Telefonanbieters); Anrufe aus dem Ausland sind mit höheren Kosten verbunden.

GB IE

Please contact the service centre first for any questions regarding the product or claims, preferably by e-mail.

e-mail: service@bresseruk.com
Telephone*: +44 1342 837 098

BRESSER UK Ltd.
Suite G3, Eden House
Enterprise Way
Edenbridge, Kent TN8 6HF
United Kingdom

*Number charged at local rates in the UK (the amount you will be charged per phone call will depend on the tariff of your phone provider); calls from abroad will involve higher costs.

FR BE

Si vous avez des questions concernant ce produit ou en cas de réclamations, veuillez prendre contact avec notre centre de services (de préférence via e-mail).

e-mail: sav@bresser.fr
Téléphone*: 00 800 6343 7000

Bresser France SARL
Service après-vente
Pôle d'Activités de Nicopolis
314 Avenue des Chênes Verts
83170 Brignoles
France

*Prix d'un appel local depuis la France ou Belgique

NL BE

Als u met betrekking tot het product vragen of eventuele klachten heeft kunt u contact opnemen met het service centrum (bij voorkeur per e-mail).

e-mail: info@folux.nl
Téléfono*: +31 528 23 24 76

Folux B.V.
Smirnoffstraat 8
7903 AX Hoogeveen
Nederlands

*Het telefoonnummer wordt in het Nederland tegen lokaal tarief in rekening gebracht. Het bedrag dat u per gesprek in rekening gebracht zal worden, is afhankelijk van het tarief van uw telefoon provider; gesprekken vanuit het buitenland zullen hogere kosten met zich meebrengen.

ES PT

Si desea formular alguna pregunta sobre el producto o alguna eventual reclamación, le rogamos que se ponga en contacto con el centro de servicio técnico (de preferencia por e-mail).

e-mail: servicio.iberia@bresser-iberia.es
Téléfono*: +34 91 67972 69

BRESSER Iberia SLU
c/Valdemorillo,1 Nave B
P.I. Ventorro del cano
28925 Alcorcón Madrid
España

*Número local de España (el importe de cada llamada telefónica dependen de las tarifas de los distribuidores); Las llamadas des del extranjero están ligadas a costes suplementarios.