

U-801

U-1601

U-3201

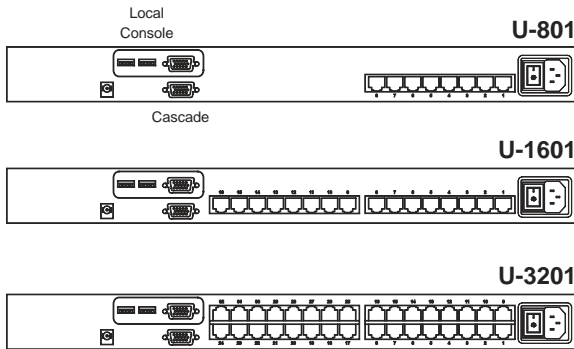


Combo Cat6 KVM Benefits

- ▶ Combo Cat6 KVM with either 8, 16 or 32 ports in 1U
- ▶ Up to 40 meters between your servers & KVM ports
- ▶ Cascade switches up to 8 levels & Mix switches between Cat6 & Combo DB-15 KVM
- ▶ Support DVI-USB, VGA-USB & VGA-PS/2 server interface
- ▶ Mix PS/2, USB & SUN with Multi-Platform switch capability

Switch Features & Options

- Multi lingual on screen display menu
- Advanced user profiles and configurable OSD hot key combinations
- Dual power with failover
- DC power options : 12V / 24V / 48V / 110 ~ 125V



Ordering Information

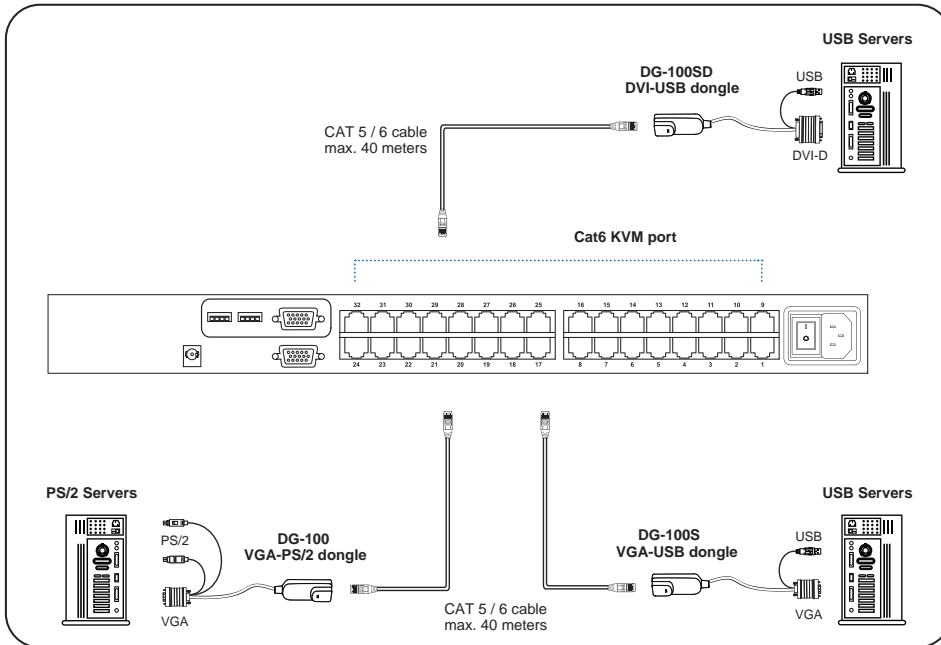
Console	Local	Remote	IP	8-port	16-port	32-port
	1	0	0	U-801	U-1601	U-3201

KVM Specification

■ KVM Port Number of ports: 8, 16 or 32 Connector: RJ-45 Connectivity: DVI-D / VGA connector dongle up to 40 meters (132 feet) via Cat6 / Cat5 cable	
■ Local Console Graphic Connector: 1 x DB-15 VGA Resolution: Up to 1600 x 1200 Input device: 2 x USB type A for keyboard & mouse Resolution support: 4:3 - max. 1600 x 1200 16:10 - max. 1440 x 900	
■ Management Multilingual OSD: English, France, German, Spanish, Italian, Russian, Simplified Chinese, Japanese Hotkey combination: Scroll-lock, Cap-lock, Num-lock, Alt, Ctrl & Win Security: Password enable & disable, up to 8 users profile for port access PC Selection: Front button, OSD menu & hotkey	
■ Expansion: Up to 256 servers by 8-level cascade	
■ Compatibility Multi-platform: Mix PCs, SUN and Mac G3 / G4 Mac / iMac Support: Windows 7 / Vista / 2003 / XP, Linux, Unix	

■ Power Input: Auto sensing 100 to 240VAC, 50 / 60 Hz OR AC / DC power adapter 12V@3.3A (optional) Option DC: 12V / 24V / 48V / 110 ~ 125V DC input Consumption: Max. 24 Watt, Standby 5 Watt	
■ Regulatory : Safety: cUL, FCC & CE certified Environment: RoHS2 & REACH compliant	
■ Environmental Operating: 0 to 50°C Storage: -5 to 60°C Relative humidity: 90%, non-condensing Shock: 50G peak acceleration (11ms, half-sine wave) Vibration: 58~100Hz / 0.98G (11ms / cycle)	
■ Product Information Dimension (W x D x H): 443 x 171 x 44 mm / 17.4 x 6.7 x 1.73 inch Net weight: 3 kg / 6.5 lb	
■ Packing Information Dimension (W x D x H): 500 x 400 x 90 mm / 19.7 x 15.7 x 3.5 inch Gross weight: 5 kg / 11 lb	

KVM port & Cat6 dongle connection



DG-100SD DVI-USB dongle

- To connect DVI-D connector to the computer's video card
- To connect USB connector to the computer's USB port



DG-100S VGA-USB dongle

- To connect DB-15 connector to the computer's video card
- To connect USB connector to the computer's USB port



DG-100 VGA-PS/2 dongle

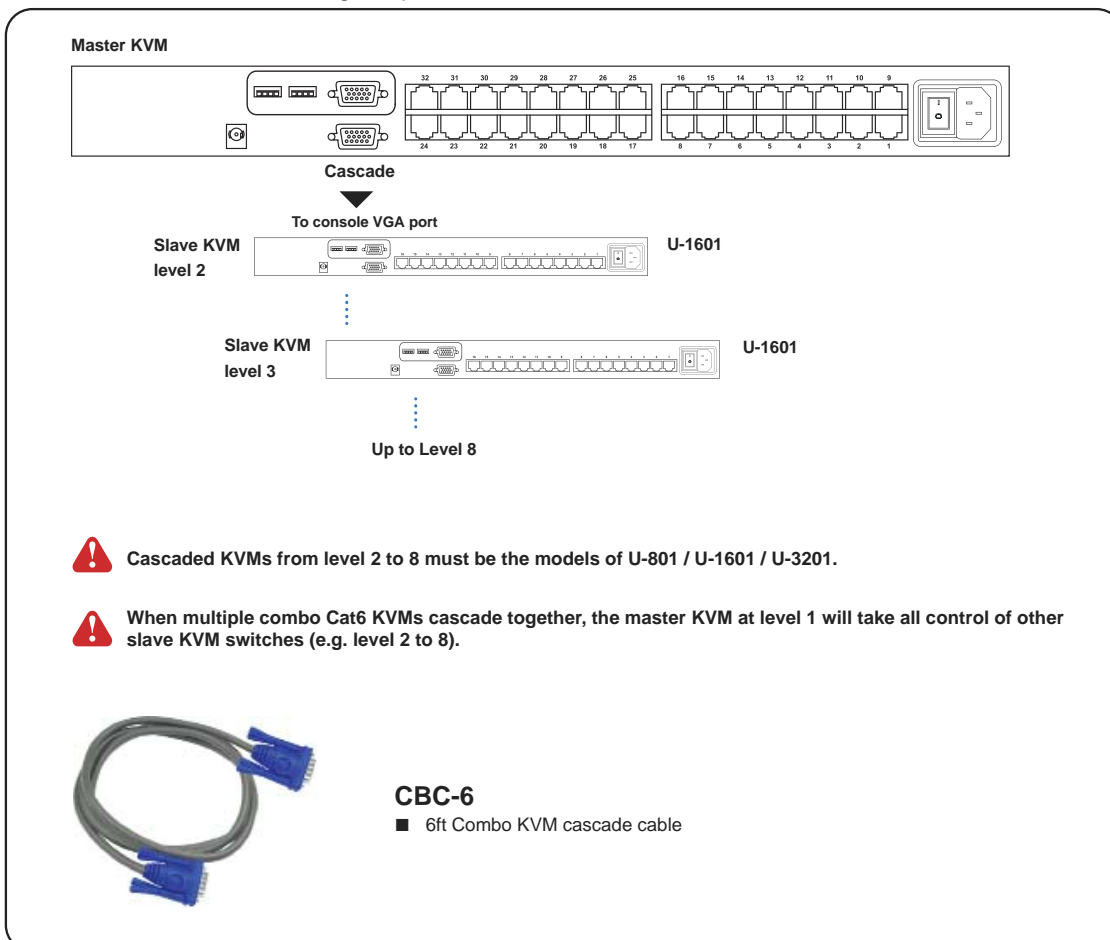
- To connect DB-15 connector to the computer's video card
- To connect PS/2 keyboard connector to the computer's keyboard port
- To connect PS/2 mouse connector to the computer's mouse port

Cat6 Dongle	EDID Resolution Hard-coded	Resolutions Capable			
		4:3		16:10	
		1024 x 768	1280 x 1024	1600 x 1200	1440 x 900
DG-100	1600 x 1200	✓	✓	✓	✓*
DG-100S	1600 x 1200	✓	✓	✓	✓*
DG-100SD	1280 x 1024	✓	✓	✗	✗

* Requires the user to enable showing unsupported resolutions via the target computer's video adapter settings (effectively ignoring the DDC / EDID)

KVM Cascade

- Cascade up to 8 levels, 256 servers
- Cascading multiple KVM with CBC-6 cascade cable.



⚠ Cascaded KVMs from level 2 to 8 must be the models of U-801 / U-1601 / U-3201.

⚠ When multiple combo Cat6 KVMs cascade together, the master KVM at level 1 will take all control of other slave KVM switches (e.g. level 2 to 8).



CBC-6

- 6ft Combo KVM cascade cable

⚠ For detailed product specifications and options, please download the user manual from the link below : www.austin-hughes.com/support/usermanual/cyberview/UM-CV-UKVM.pdf