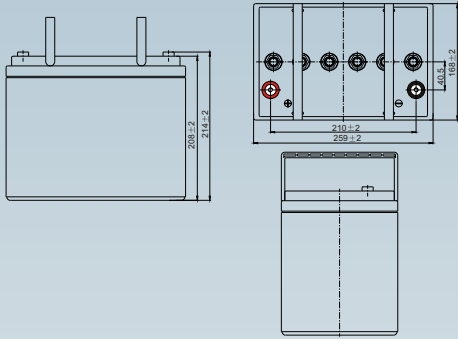


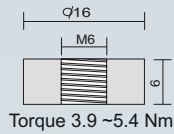
PSGL Gel Series (For cyclic applications)

Dimensions (mm)



Standard terminal (mm)

T6 Threaded Insert 6mm Stud



Physical Specification

Nominal Voltage		12V
Nominal Capacity		70.0 AH
Dimension	Length	259 ± 2 mm
	Width	168 ± 2 mm
	Container Height	208 ± 2 mm
	Height to terminal	214 ± 2 mm
Weight		Approx 23.0kg
Standard Terminal		T6

PSGL12700



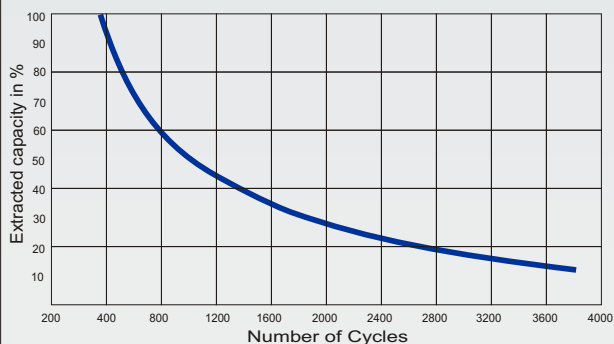
Discharge Characteristics (25°C, 77°F)

Rated Capacity	20hr Rate(1.80V/cell)	70.00AH	Constant Voltage Charge	Cycle	Initial Charging Current Less than 17.5A Voltage 14.4V ~ 15.0V at 25°C (77°F)
	10hr Rate(1.80V/cell)	63.80AH			
	8hr Rate(1.75V/cell)	61.20AH			
	5hr Rate(1.75V/cell)	56.00AH			
Capacity Affected by Temperature	1hr Rate(1.60V/cell)	40.90AH	Standby	Recommended Charge Current less than 17.5A Voltage 13.5V ~ 13.8V at 15°C (77°F)	
	40°C (104°F)	103%			
	25°C (77°F)	100%			
	0°C (32°F)	86%			

Internal Resistance mΩ

Approx 6.4 mΩ

Cycle Life in Relation to Depth of Discharge



Self Discharge Characteristics

