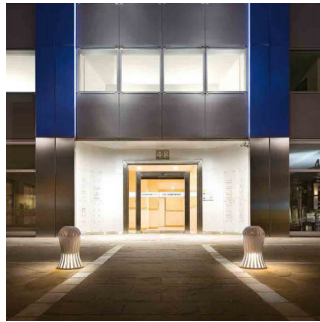




Okto Bollard

External Lighting



Architectural type street furniture design with illuminated options.

Construction: Die-cast aluminium. Option of smooth top or ridged top. IP65. IK06.

Lens: Sand blasted glass.

Installation: Directly to the ground using separate anchorage base.

Finish: Light Grey finish as standard. Anthracite Grey on request.

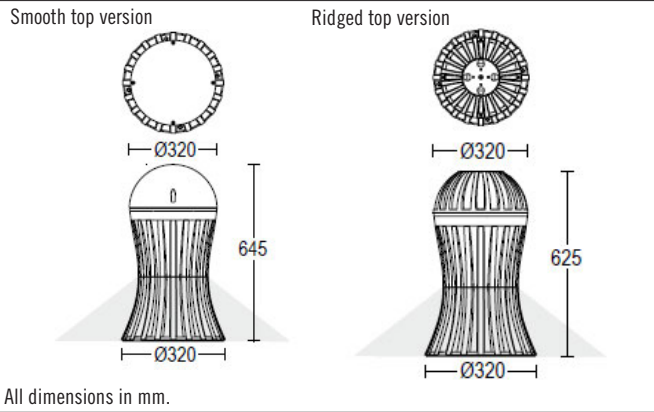
LED: Available in 30w LED. 4K as standard, 3K on request.

Options: Internal LED driver.

Options: DALI, smooth or ridged top.

Product Compliance: EN 60598; CE.

DIMENSIONS



ORDERING CODE

Wattage	Type	Code	Details	Lumens
30w	LED	G-1001.148.S	Okto Bollard, 4K, Smooth Top	2850 lm
30w	LED	G-1003.148.S	Okto Bollard, 4K, Ridged Top	2850 lm
-	-	G-119	Anchorage Plate	-

OPTIONS

3K: 3000K, Warm White
.05: Anthracite Grey Finish
.13: Light Grey Finish
DALI: DALI on request

