

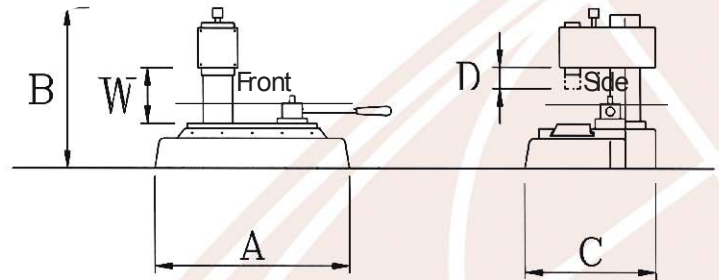
PRESSES PAR ROULAGE

SMALL DIAMETERS



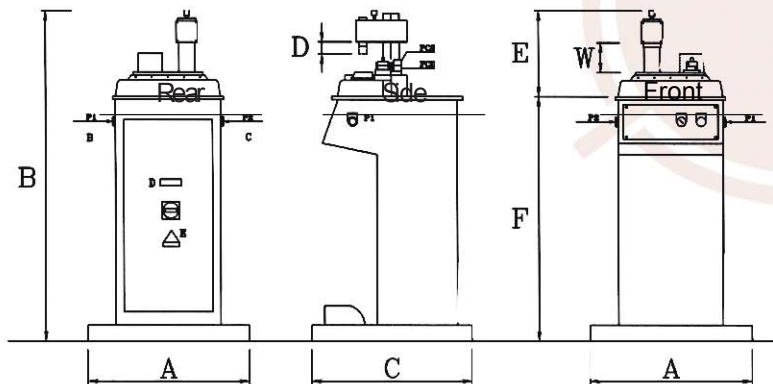
Mod.
MB 41N

- The manual roller marking machine for the perfect marking of round components, either solid or hollow from 8-65mm diameter.
- Solid round components are marked using roller support, type S2R. Thin walled hollow parts are marked using mandrel support type S1R.



- Motorized version of the machine MB41N.
- With geared motor connected to 380V, 3 phase, 50 Hz.
- Mounted on bench, model TP.
- Twin push button safety system is integrated in the bench.
- Suitable for marking round components from 8-65 mm diameter.

Mod.
MB 41E



Opzionale

TraçaMatrix

ZAC de la Marjolaine
6 avenue du Docteur Pramayon
13690 GRAVESON
Tel: 04 90 95 08 97
info@tracamatrix.com
www.tracamatrix.com

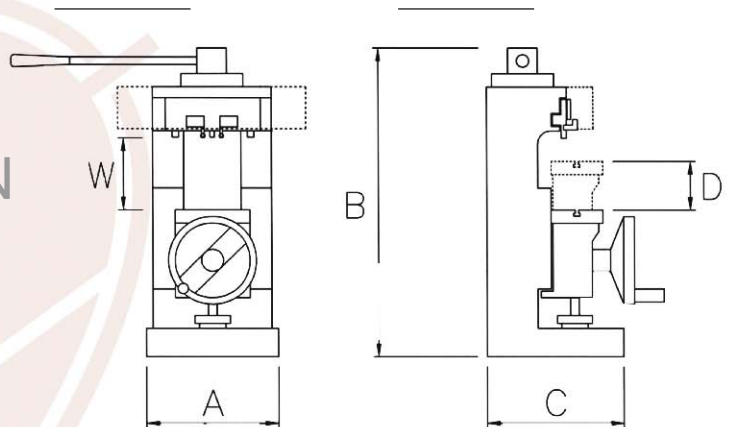
PRESSES PAR ROULAGE

MEDIUM SIZE DIAMETERS



Mod.
MB 71N

- Manually operated machine for marking, graduating numbering etc. of cylindrical, conical or flat components. Maximum diameter of round components: 110 mm
- Simple setting of depth of mark.
- The table is fitted with spring washers to even out differences in diameter and to achieve consistent depth of mark.
- Large range of accessories available.



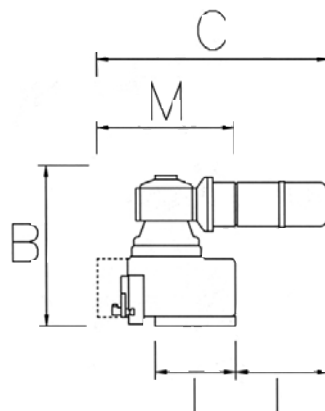
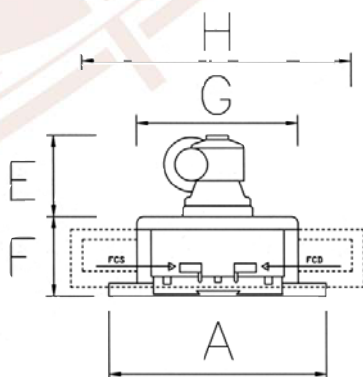
Mod.
MB 71UE

- Electrical marking unit with slide movement via a geared motor.
- For marking, graduating, numbering of cylindrical, conical and flat components.
- Linear marking takes place by rolling
- Specially designed for integration in production lines.



Front

SIDE



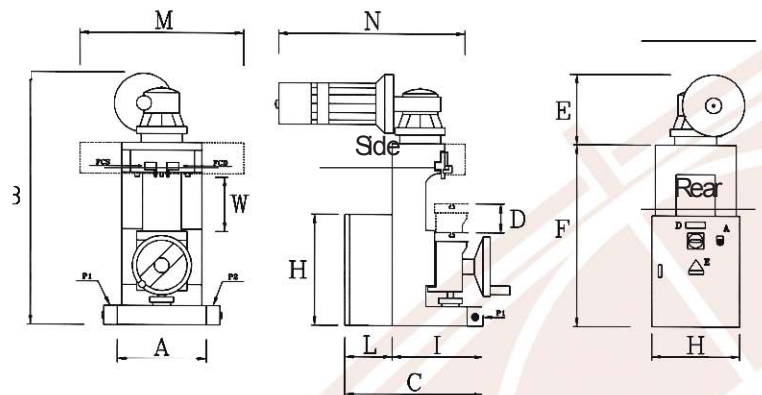
TraçaMatrix

ZAC de la Marjolaine
6 avenue du Docteur Pramayon
13690 GRAVESON
Tel: 04 90 95 08 97
info@tracamatrix.com
www.tracamatrix.com

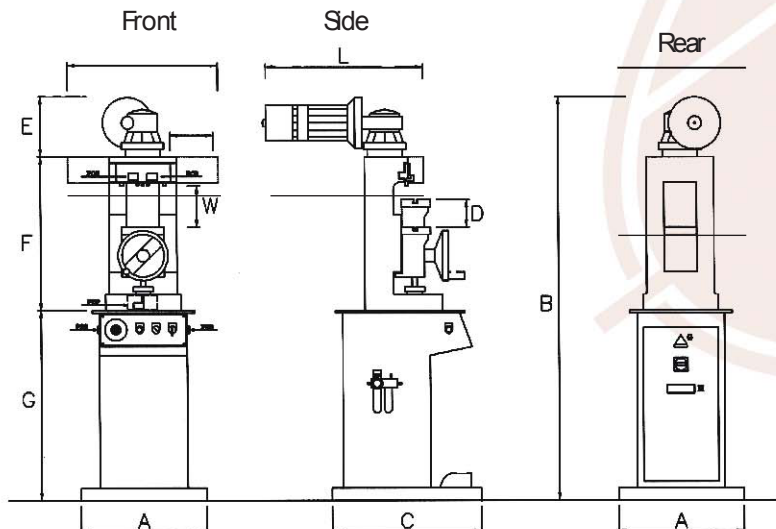
MEDIUM SIZE DIAMETERS

Mod. MB 71E

- Electrically operated roller marking machine for marking, graduating, numbering of variously shaped round components up to a maximum of 110 mm diameter.
- Simple setting of the depth of mark.
- The table is fitted with spring washers to even out differences in diameter and to achieve consistent depth of mark.
- Operation is via electrical twin push buttons. All electrical components are built into the bench, type TG.



- Electrically operated machine with additional pneumatic movement of the table. This ensures perfect and uniform marking every time.
- PLC control of all movements.



Mod. MB 71EP



TraçaMatrix

ZAC de la Marjolaine
6 avenue du Docteur Pramayon
13690 GRAVESON
Tel: 04 90 95 08 97
info@tracamatrix.com
www.tracamatrix.com

CONTINUOUS ROLLER MARKING

Continuous, repeated marking on bars, hexagonals, tubes and profiled material etc.
The symbols, logos or text are rolled into the material using a marking roller of 60 mm diameter.
Production rate: 6 metre/min. Output can be doubled by using two rollers simultaneously.

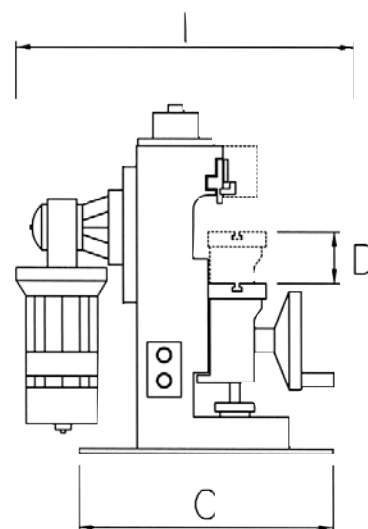
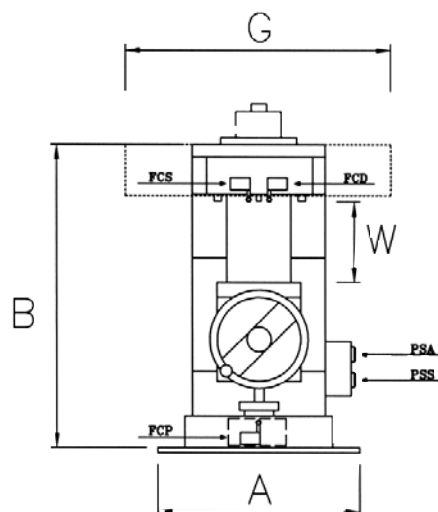
Mod.
MB 71CE



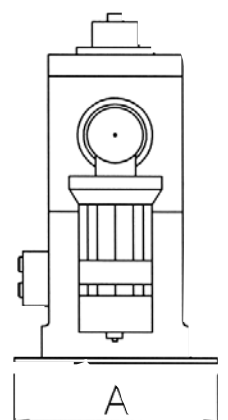
TraçaMatrix
ZAC de la Marjolaine
6 avenue du Docteur Pramayon
13690 GRAVESON
Tel: 04 90 95 08 97
info@tracamatrix.com
www.tracamatrix.com

Front

Sde



Rear



HORIZONTAL

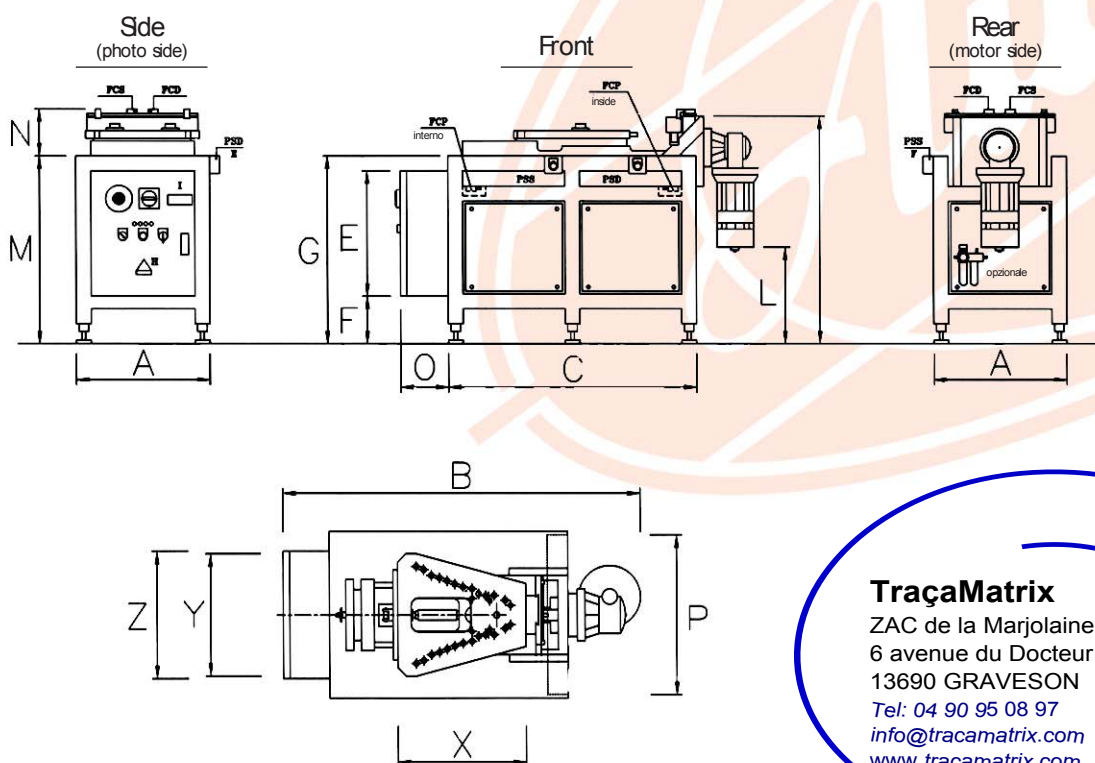


Mod.
MB 76E 90°

Mod.
MB 76EP 90°



- These roller marking machines will mark horizontally placed round parts and flanges up to 650 mm diameter.
 - The maximum length of text must not exceed 180 mm, but can be one or more lines.
 - Deeper marking can be achieved by repeating the same marking cycle several times. The part to be marked is pressed against the typeholder using spring washers with adjustable resistance.
 - Loading and unloading are carried out manually.
 - The machine is operated using twin push button actuation.
 - The pneumatic model (EP) has an approach stroke of 22 mm (to feed forward the part to the marking head).
- 2 versions are available:
 E with the characteristics of the electric model MB 71E
 EP with the characteristics of the electropneumatic model MB 71EP



TraçaMatrix

ZAC de la Marjolaine
 6 avenue du Docteur Pramayon
 13690 GRAVESON
 Tel: 04 90 95 08 97
info@tracatrix.com
www.tracatrix.com

SPECIAL ROUND COMPONENTS

Mod.
MB 76N

Mod.
MB 76E

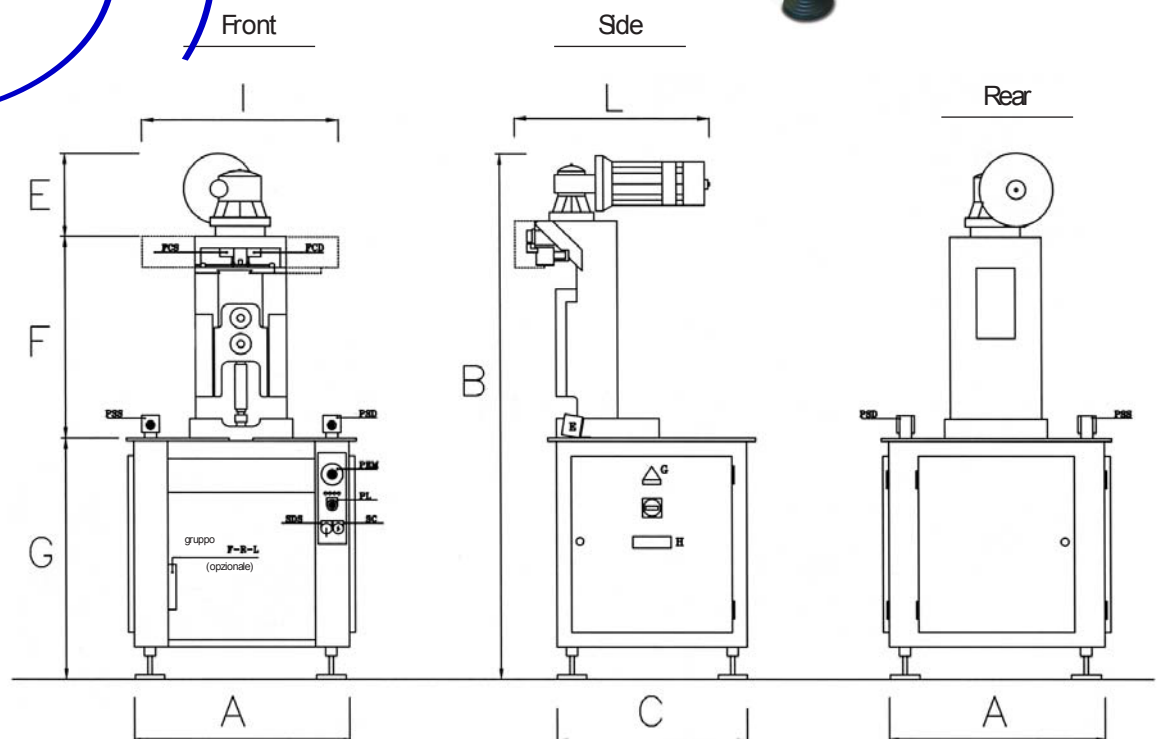
Mod.
MB 76EP

- With these roller marking machine vertically positioned round components, rings etc up to 1000 mm diameter can be marked with any required text.
 - The pneumatic model (EP) has a vertical movement of 22 mm.
 - The maximum length of text is 180 mm and can be of one or more linea.
 - Deeper marking can be achieved by repeating the same marking cycle several times. The part to be marked is pressed against the typeholder using spring washers.
 - Loading and unloading are carried out manually.
 - The machine is operated using twin push button actuation.
- 3 versions are available:
 N : manual operation
 E : electrically driven
 EP : electrically driven with pneumatic feed of the part to the marking head



TraçaMatrix

ZAC de la Marjolaine
 6 avenue du Docteur Pramayon
 13690 GRAVESON
 Tel: 04 90 95 08 97
 info@tracamatrix.com
 www.tracamatrix.com



PRESSES PAR ROULAGE

TECHNICAL SPECIFICATIONS

TraçaMatrix

ZAC de la Marjolaine
6 avenue du Docteur Pramayon
13690 GRAVESON
Tel: 04 90 95 08 97
info@tracamatrix.com
www.tracamatrix.com

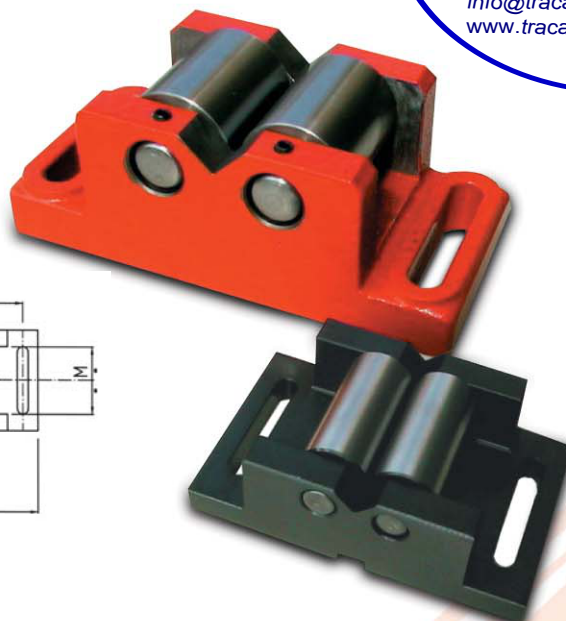
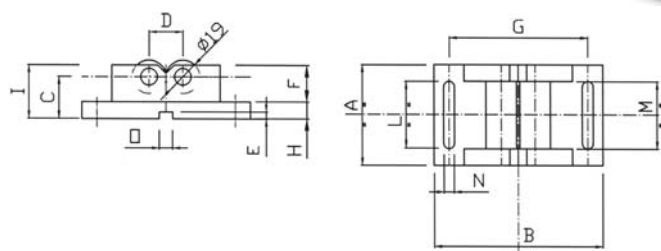
MODEL	DIMENSIONS																		TECHNICAL DATA							
	A	B	C	D	E	F	G	H	I	L	M	N	O	P	X	Y	Z	W	Max dia. (mm)	Net weight (kg)	gap between columns (mm)	noto rating		"T" nuts (mm)	Stroke of side	Air pressure (bar)
																						(kw)	(V)			
MB 41N	295	300	240	30	-	-	-	-	-	-	-	-	-	-	-	-	-	125	65	35	-	-	-	-	100	-
MB 41E	600	1.090	600	30	300	760	-	-	-	-	-	-	-	-	-	-	-	125	65	110	-	0,18	380	-	100	-
MB 71N	340	830	310	125	-	-	-	-	-	-	-	-	-	-	-	-	-	235	110	126	130	-	-	10	180	-
MB 71E	360	1.020	500	125	230	730	350	450	310	190	480	560	-	-	-	-	-	235	110	138	130	0,55	380	10	180	-
MB 71EP	600	1.730	600	125	230	730	760	-	480	560	-	-	-	-	-	-	-	235	110	230	130	0,55	380	10	180	6-8
MB 71CE	340	830	310	125	-	-	480	-	570	-	-	-	-	-	-	-	-	235	80	155	130	0,55	380	10	-	-
MB 71UE	400	450	560	-	290	160	295	425	130	250	215	-	-	-	-	-	-	-	-	50	-	0,55	380	-	180	-
MB 76E 90°	530	1.170	1.000	-	500	190	750	-	910	380	750	190	190	480	470	350	440	-	600/650	360	-	0,55	380	-	290	-
MB 76EP 90°	530	1.170	1.000	-	500	190	750	-	910	380	750	190	190	480	470	350	440	-	600/650	360	-	0,55	380	-	290	6-8
MB 76E	730	1.785	650	-	280	685	820	-	480	560	-	-	-	-	-	-	-	-	1000	300	130	0,55	380	-	290	-
MB 76EP	730	1.785	650	-	280	685	820	-	480	560	-	-	-	-	-	-	-	-	1000	300	130	0,55	380	-	290	6-8

We reserve the right to amend specifications whitout notice

ROLLER SUPPORTS

S2R e S2R Mignon

The twin roller supports S2R and S2R mini are used on roller marking machines to rotate the part to be marked. The marking head causes the part to be rotated during the marking process.

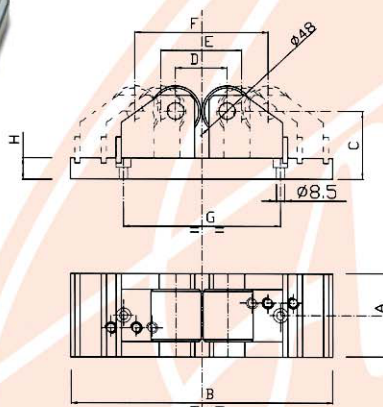


TraçaMatrix

ZAC de la Marjolaine
6 avenue du Docteur Pramayon
13690 GRAVESON
Tel: 04 90 95 08 97
info@tracamatrix.com
www.tracamatrix.com



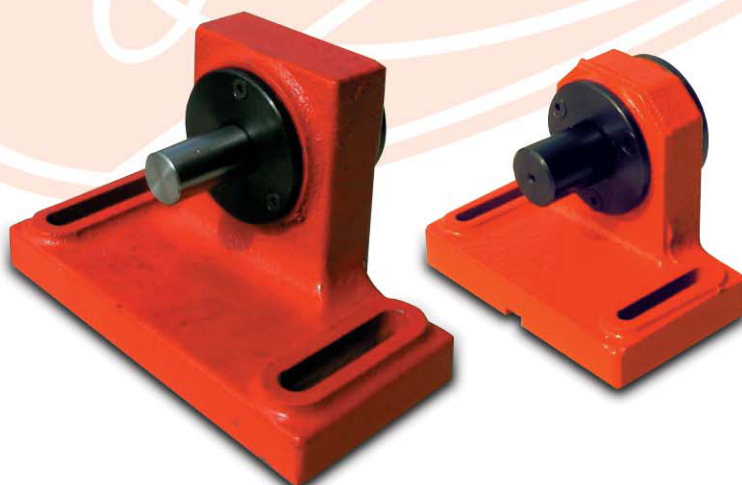
S2R2 Adjustable



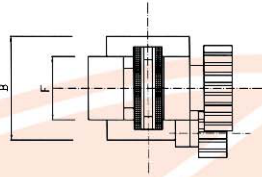
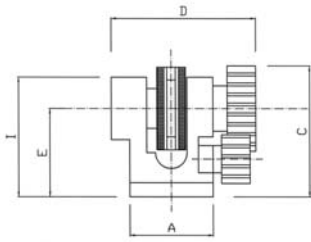
With support S2R2 adjustable, it is possible to set the two rollers to suit the diameter of the parts to be marked.



S1R e S1R Mignon

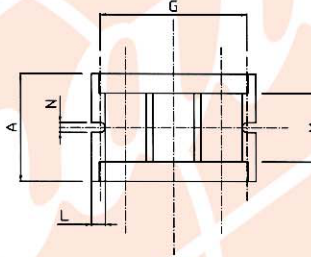
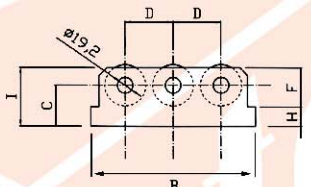


SR 100



This roller support serves to take the circular typeholder, type RPC 101. It is also possible to fit circular dies of 60mm dia. engraved with special logos or text.

S3R

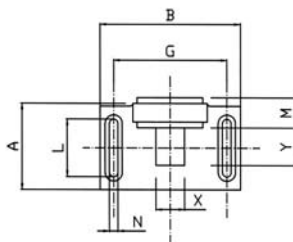
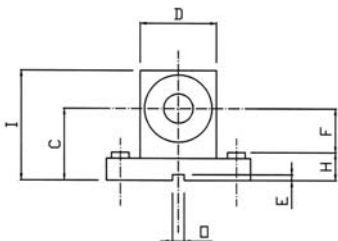


This roller support is only used on the roller marking machine, model MB71CE, and guides the bar through the machine for continuous marking. The central lower roller can be engraved to allow marking on two faces simultaneously.

Technical data:

Type of supports	Machine model	A	B	C	D	E	F	G	H	I	L	M	N	O	X eY	∅ rollers
S1R	MB 41N - 41E MB 71N - 71E - 71EP MB 71UE	89	175	74	75	/	48	135	26	109	62	52	8	/	On request	/
S1R Mignon	MB 41N - 41E MB 71N - 71E - 71EP MB 71UE	60	98	51	52	4	23	80	18	74	40	30	6	8	On request	/
S2R	MB 41N - 41E MB 71N - 71E - 71EP MB 71UE	80	170	48	42,5	/	44	140	19	64	65	50	13	/	/	39
S2R Mignon	MB 41N - 41E MB 71N - 71E - 71EP MB 71UE	60	100	25	20,2	4	22	80	10	32	40	40	6,5	8	/	19
S2R Adjustable	MB 71N - 71E - 71EP MB 71UE	80	250	65	40	59	119	139	20	/	/	/	/	/	/	48
S3R	MB 71CE	110	170	42	49	/	40	150	20	60	15	70	10	/	/	42
SR100	MB 71N - 71E - 71EP MB 71UE	58	73	92	97	67	43	/	/	83	/	/	/	/	/	/

The manual supports S1R and S1R mini have been designed specifically for marking thin-walled tubular components.



TraçaMatrix

ZAC de la Marjolaine
6 avenue du Docteur Pramayon
13690 GRAVESON
Tel: 04 90 95 08 97
info@tracamatrix.com
www.tracamatrix.com