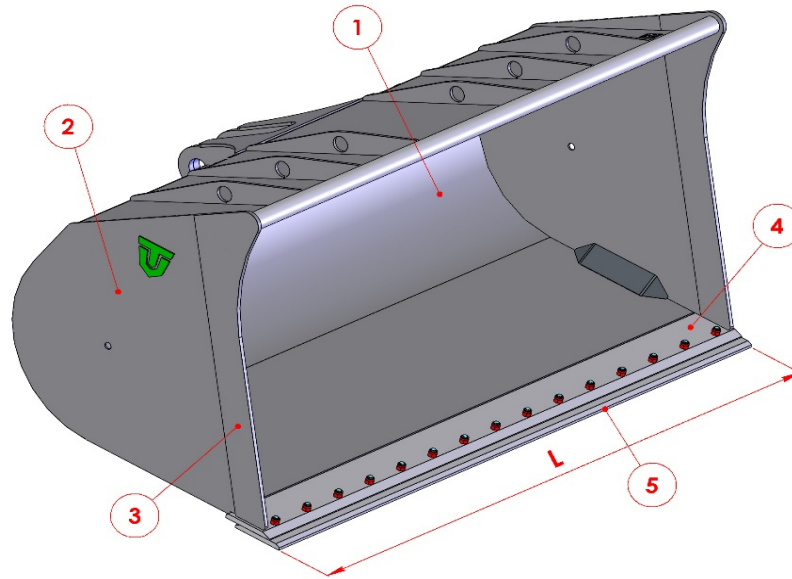


**BENNA MATERIALI LEGGERI per pale caricatori**  
**LIGHT MATERIAL BUCKET for wheel loader from**  
**GODET MATERIAUX LEGERS pour chargeurs**  
**CUCHARA PARA MATERIAL LIJEROS para pala cargadoras**  
**LEICHT MATERIAL SCHAUFEL für Lader**

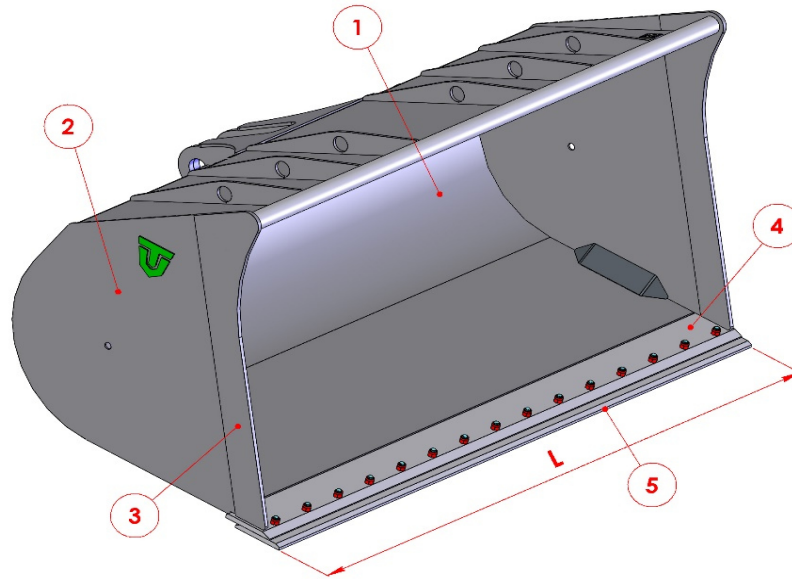


Class L1	Codice Code	L mm.	Cap. SAE m <sup>3</sup> colmo/heaped	Peso Kg. Weight	Listino € Price List	
2 ÷ 6 ton	VML015A190	1900	1,5	460	/	
	VML015A200	2000	1,5	560	/	
	VML018A200	2000	1,8	580	/	
	VML018A210	2100	1,8	600	/	
	VML020A200	2000	2,0	615	/	
	VML020A210	2100	2,0	630	/	
	VML020A220	2200	2,0	640	/	
		<b>1</b>	<b>2</b>	<b>3</b>	<b>4</b>	<b>5</b>
<b>Materiale</b>	<b>Material</b>	S355	S355	S355	HB 400	HB 400
<b>Spessore</b>	<b>Thickness</b>	5 mm	5 mm	10 mm	20 mm	200 x 20 mm

Class L2	Codice Code	L mm.	Cap. SAE m <sup>3</sup> colmo/heaped	Peso Kg. Weight	Listino € Price List	
6,1 ÷ 10 ton	VML022B210	2100	2,2	660	/	
	VML022B225	2250	2,2	680	/	
	VML025B225	2250	2,5	740	/	
	VML022B240	2400	2,2	670	/	
	VML025B240	2400	2,5	750	/	
	VML025B250	2500	2,5	790	/	
	VML030B250	2500	3,0	900	/	
		<b>1</b>	<b>2</b>	<b>3</b>	<b>4</b>	<b>5</b>
<b>Materiale</b>	<b>Material</b>	S355	S355	S355	HB 400	HB 400
<b>Spessore</b>	<b>Thickness</b>	5 mm	5 mm	12 mm	20 mm	200 x 20 mm



**BENNA MATERIALI LEGGERI per pale caricatori**  
**LIGHT MATERIAL BUCKET for wheel loader from**  
**GODET MATERIAUX LEGERS pour chargeurs**  
**CUCHARA PARA MATERIAL LIJEROS para pala cargadoras**  
**LEICHT MATERIAL SCHAUFEL für Lader**



Class L3	Codice Code	L mm.	Cap. SAE m <sup>3</sup> colmo/heaped	Peso Kg. Weight	Listino € Price List	
10,1 ÷ 13 ton	VML030C240	2400	3,0	930	/	
	VML030C240	2500	3,0	1060	/	
	VML035C250	2500	3,5	1120	/	
	VML035C255	2550	3,5	1160	/	
	VML040C255	2550	4,0	1250	/	
	VML040C260	2600	4,0	1280	/	
	VML045C260	2600	4,5	1350	/	
		<b>1</b>	<b>2</b>	<b>3</b>	<b>4</b>	<b>5</b>
<b>Materiale</b>	<b>Material</b>	S355	S355	S355	HB 400	HB 400
<b>Spessore</b>	<b>Thickness</b>	6 mm	6 mm	18 mm	25 mm	250 x 25 mm

Class L4	Codice Code	L mm.	Cap. SAE m <sup>3</sup> colmo/heaped	Peso Kg. Weight	Listino € Price List	
13,1 ÷ 15 ton	VML035D250	2500	3,5	1170	/	
	VML035D255	2550	3,5	1210	/	
	VML040D255	2550	4,0	1290	/	
	VML040D260	2600	4,0	1310	/	
	VML045D260	2600	4,5	1390	/	
	VML045D275	2750	4,5	1420	/	
	VML050D275	2750	5,0	1460	/	
		<b>1</b>	<b>2</b>	<b>3</b>	<b>4</b>	<b>5</b>
<b>Materiale</b>	<b>Material</b>	S355	S355	S355	HB 400	HB 400
<b>Spessore</b>	<b>Thickness</b>	6 mm	6 mm	20 mm	30 mm	250 x 25 mm



Class L5	Codice Code	L mm.	Cap. SAE m <sup>3</sup> colmo/heaped	Peso Kg. Weight	Listino € Price List	
15,1 ÷ 19 ton	VML045E275	2750	4,5	1450	/	
	VML050E275	2750	5,0	1550	/	
	VML060E275	2750	6,0	1750	/	
	VML050E300	3000	5,0	1800	/	
	VML055E300	3000	5,5	1880	/	
	VML060E300	3000	6,0	2000	/	
	VML065E300	3000	6,5	2100	/	
		<b>1</b>	<b>2</b>	<b>3</b>	<b>4</b>	<b>5</b>
<b>Materiale</b>	<b>Material</b>	S355	S355	S355	HB 400	HB 400
<b>Spessore</b>	<b>Thickness</b>	8 mm	8 mm	20 mm	30 mm	330 x 25 mm

Class L6	Codice Code	L mm.	Cap. SAE m <sup>3</sup> colmo/heaped	Peso Kg. Weight	Listino € Price List	
19,1 ÷ 25 ton	VML060F300	3000	6,0	2050	/	
	VML065F300	3000	6,5	2150	/	
	VML070F300	3000	7,0	2250	/	
	VML080F300	3000	8,0	2340	/	
	VML070F325	3250	7,0	2350	/	
	VML080F325	3250	8,0	2450	/	
	VML090F325	3250	9,0	2600	/	
	VML100F325	3250	10,0	2900	/	
		<b>1</b>	<b>2</b>	<b>3</b>	<b>4</b>	<b>5</b>
<b>Materiale</b>	<b>Material</b>	S355	S355	S355	HB 400	HB 400
<b>Spessore</b>	<b>Thickness</b>	8 mm	8 mm	25 mm	35 mm	330 x 25 mm

Class L7	Codice Code	L mm.	Cap. SAE m <sup>3</sup> colmo/heaped	Peso Kg. Weight	Listino € Price List	
> 25 ton	VML080G340	3400	8,0	/	/	
	VML090G340	3400	9,0	/	/	
	VML100G340	3400	10,0	/	/	
		<b>1</b>	<b>2</b>	<b>3</b>	<b>4</b>	<b>5</b>
<b>Materiale</b>	<b>Material</b>	S355	S355	S355	HB 400	HB 400
<b>Spessore</b>	<b>Thickness</b>	8 mm	8 mm	25 mm	35 mm	on demand

Benna completa di attacchi e sottolama

Bucket complete with link bracket and bolt-on-blade

Godet complet avec attaches et contre lame

Cucharón completo de ataques y subcuchilla

Löffel mit Kupplungen und Untermesser

