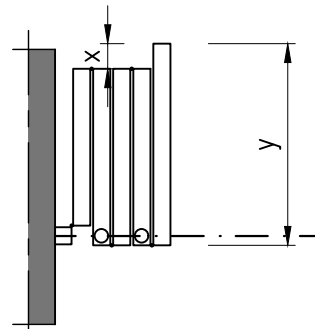
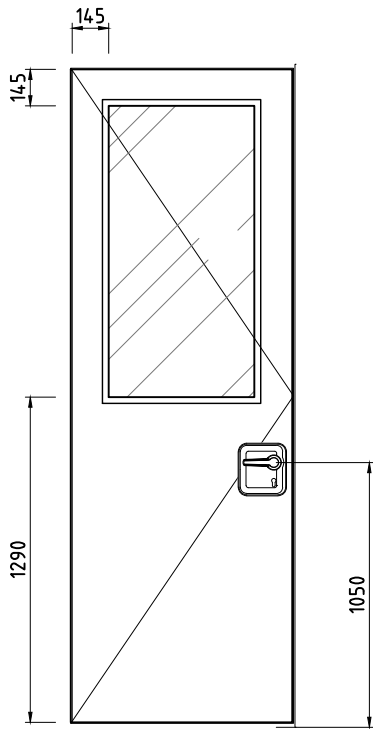


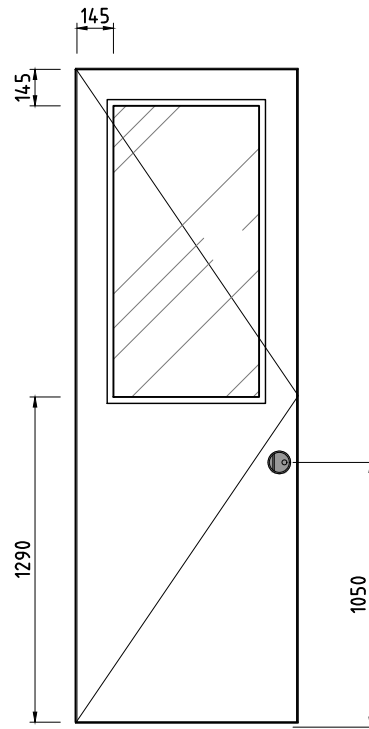
Centerfold
 $x = \text{max } 100\text{mm}$
 $y = \text{max } 900\text{mm}$



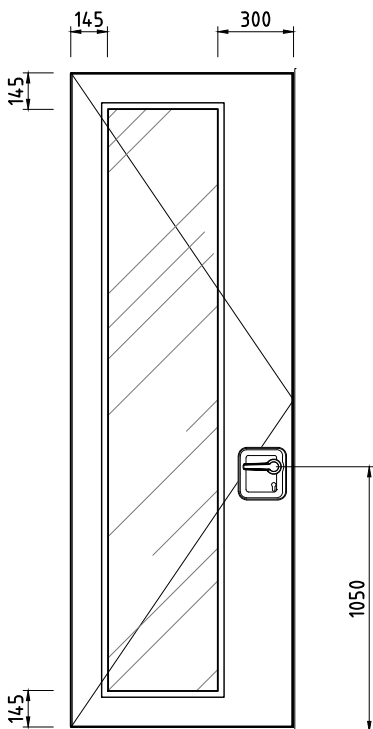
Endfold
 $x = \text{max } 100\text{mm}$
 $y = \text{max } 700\text{mm}$



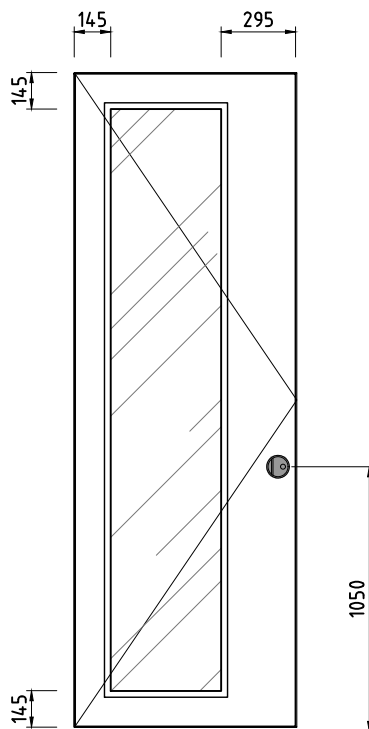
Door panel - standard glass opening



Closing panel - standard glass opening



Door panel - maximum glass opening



Closing panel - maximum glass opening

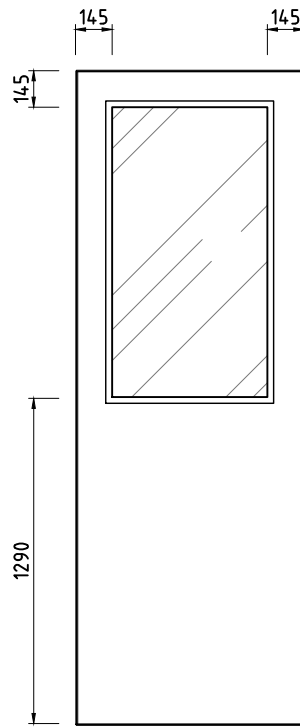
ESPERO

www.espero.eu
 info@espero.eu
 +31(0)416 338955

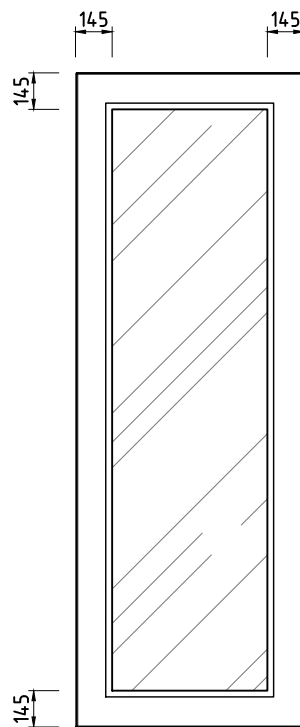
Type: Flexio 65

Date: 01-2020

Drawing no: F65-02



Basic panel - standard
glass opening



Basic panel - maximum
glass opening

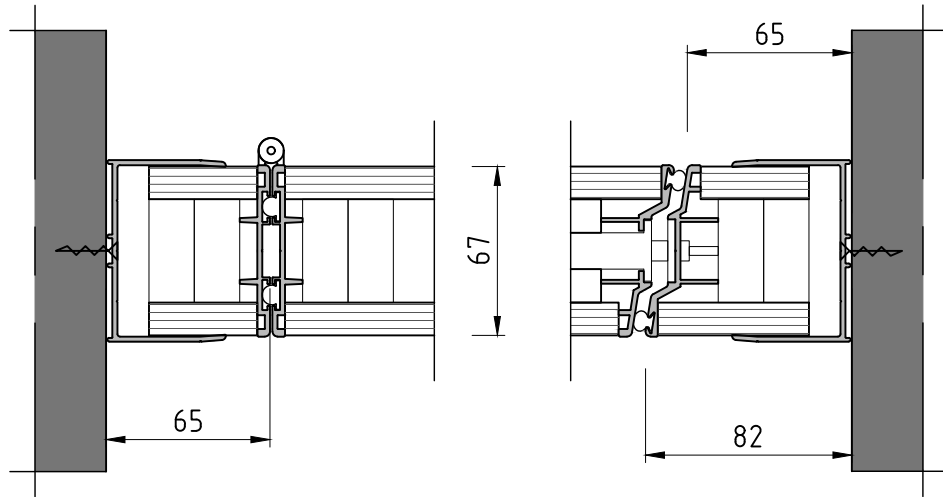
ESPERO

www.espero.eu
info@espero.eu
+31(0)416 338955

Type: Flexio 65

Date: 01-2020

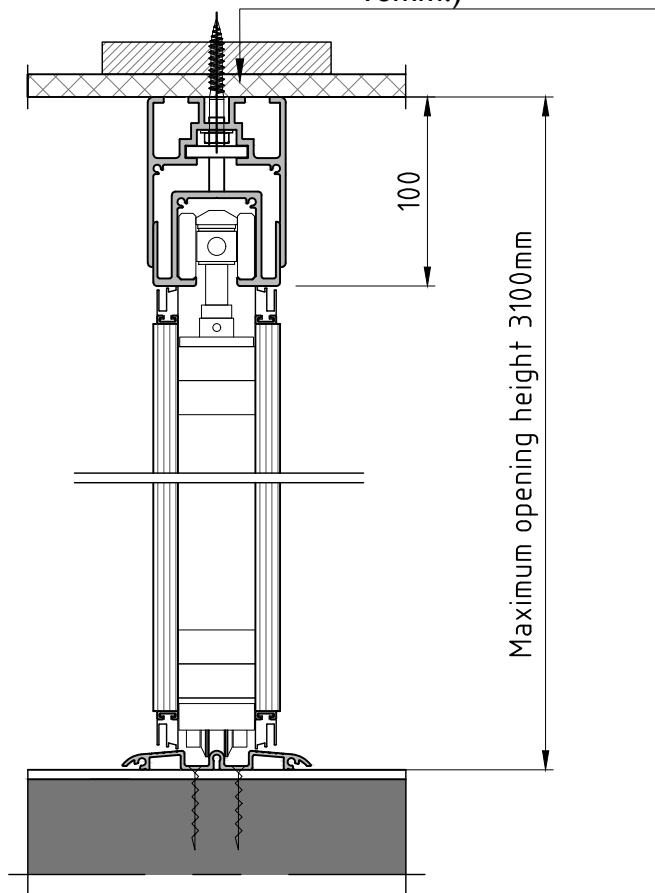
Drawing no: F65-03



Basic wall jamb
with hinge

Basic wall jamb
with closing profile

Wooden beam bij
others for track fitting
(minimum thickness
18mm!)



Flexio 65 floor supported

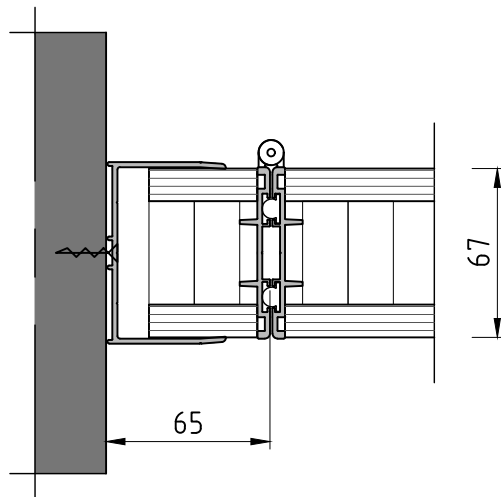
ESPERO

www.espero.eu
info@espero.eu
+31(0)416 338955

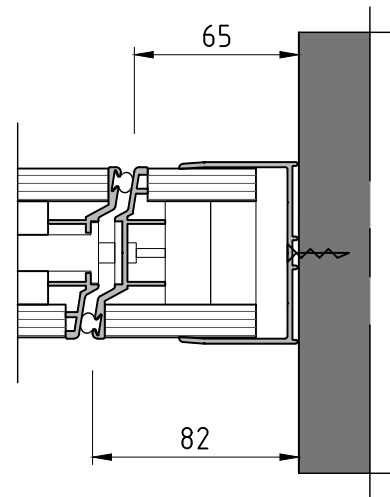
Type: Flexio 65

Date: 01-2020

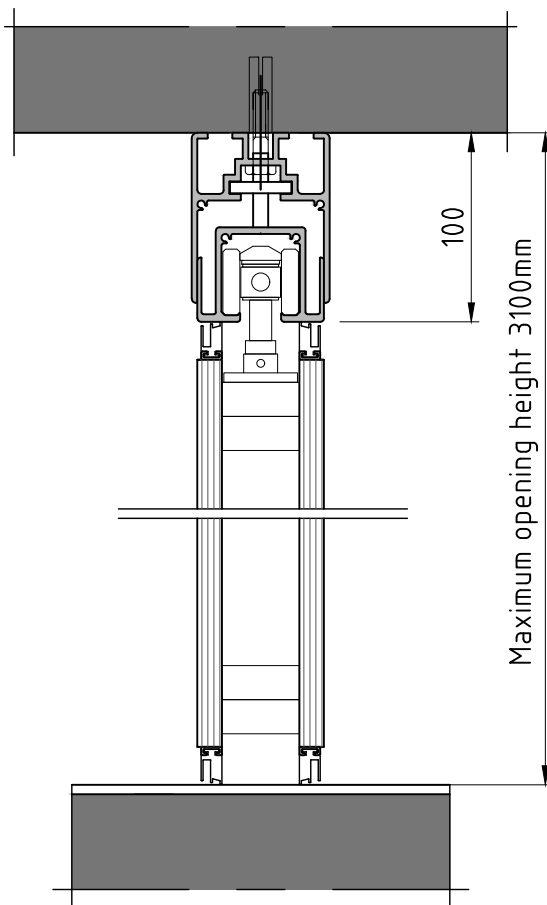
Drawing no: F65-04



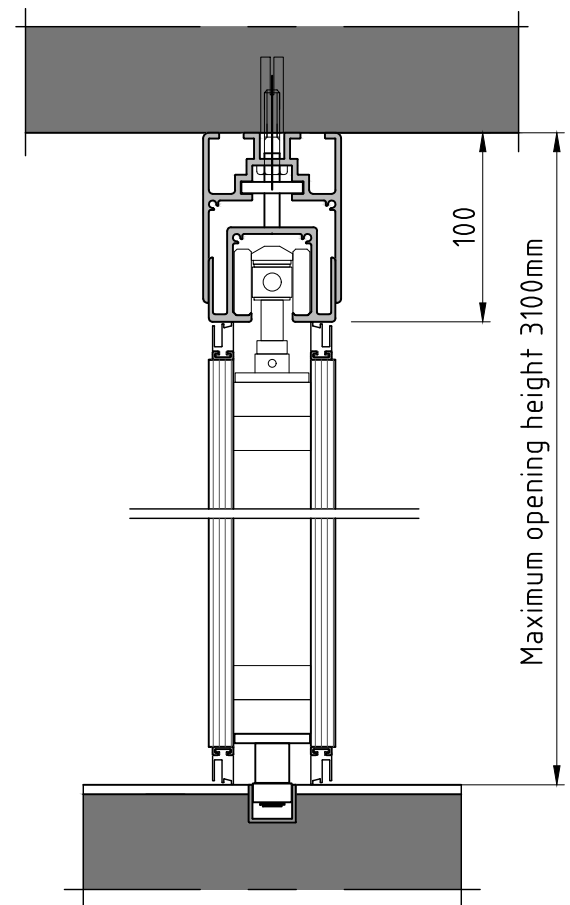
Basic wall jamb
with hinge



Basic wall jamb
with closing profile



Flexio 65 top hung centerfold



Flexio 65 top hung endfold

ESPERO

www.espero.eu
info@espero.eu
+31(0)416 338955

Type: Flexio 65

Date: 01-2020

Drawing no: F65-05