

Peristaltic Pumps

MODELS

SR10/30
SR10/50
SR10/100
SR18
SR25



SR18



SR10/30



SR25

FEATURES

- Compact design
- Quick change of cassette (SR10)/ tubing (SR25, SR18)
- Endless tubing possible (SR10)
- Self priming
- Safe to run dry
- Maintenance free
- Different tubing materials

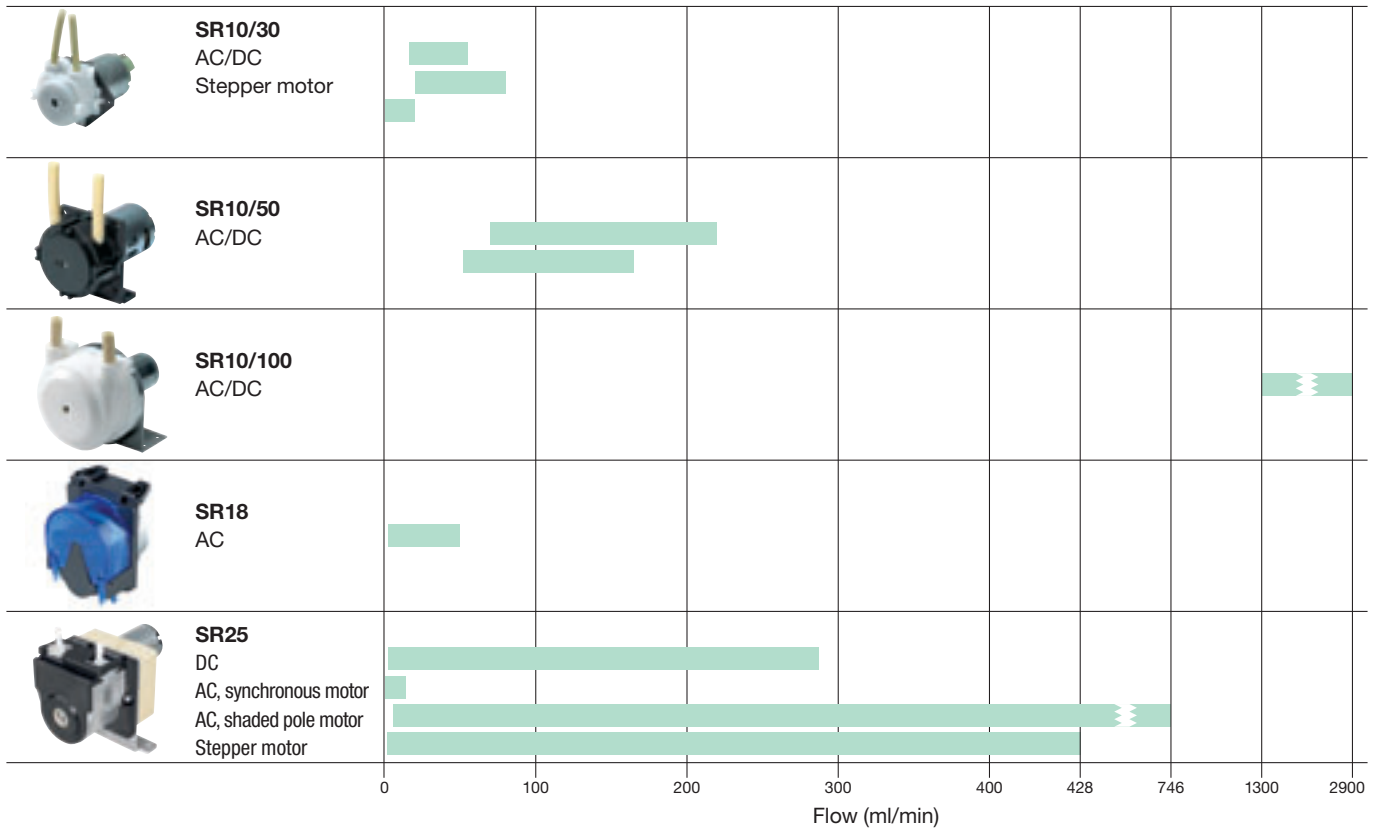
TYPICAL APPLICATIONS

- Chemical industry
- Medical industry
- Laboratory and analysis technology
- Food sector
- Hygiene, disinfection
- Industrial dishwasher
- Glass washing



Peristaltic Pumps

Characteristics overview



Preselection

	Drive						Operation mode		Stand-by pump		Page
	12/24 V DC	12/24 V DC LC motor	230 V AC	115 V AC	100 V/50-60 Hz	Stepper motor	Continuous operation	Short time operation	IP54	IP54, adjustable	
SR10/30	●	●	●			●		●			5 - 7
SR10/50		●	●					●			8
SR10/100	●		●					●	●		9
SR18			●				●	● ¹⁾			11
SR25	●		●	●	●	●	●	●		●	12 - 17

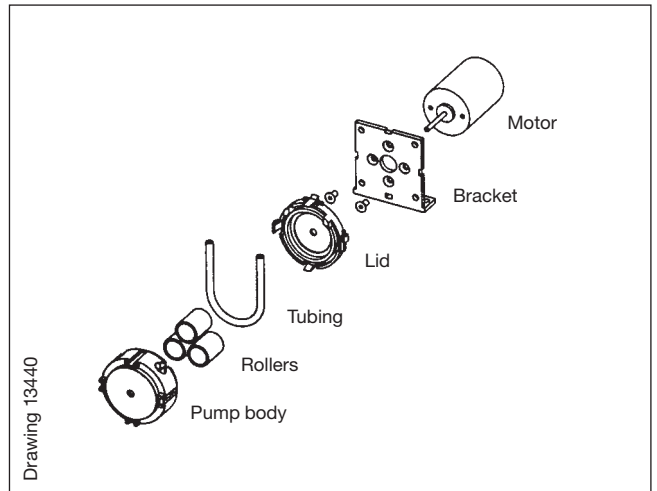
¹⁾ pumps with sequencer

Peristaltic Pumps

Series SR10



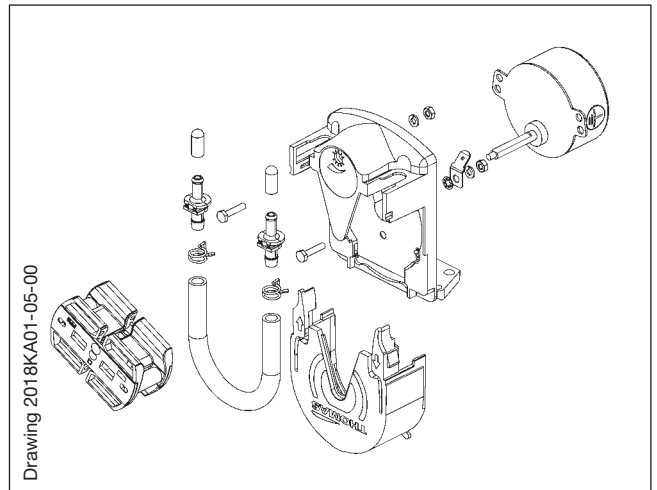
- Speed reduction through frictional connection from the motor shaft to the rollers.
- Very simple construction with the use of few parts only.
- Easy change of the cassette.
- Generally 3 rollers.
- For short time operation only.
- If the pump is stored longer than three months, we recommend to take the cassette off the motor shaft and store it separately.
- Different motors available (DC, low cost DC, AC and stepper motor).



Series SR18



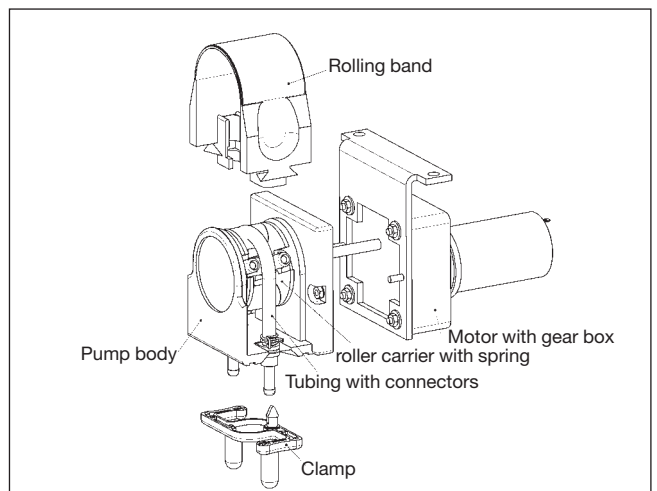
- Peristaltic pump with QuiXchange system
- Tube exchange without tooling within seconds
- Spring loaded roller carrier with two rollers for extremely long durability
- Optional „sequencer“ for flow adjustment
- AC-motor



Series SR25



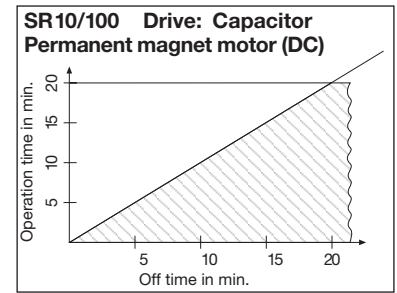
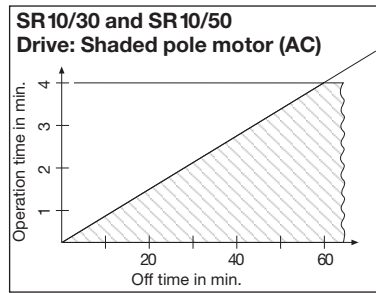
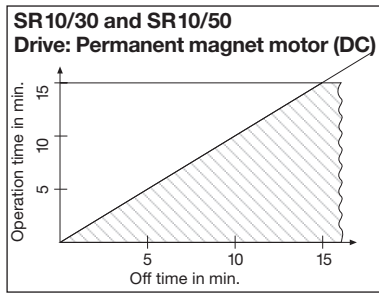
- Protection of the tubing due to spring loaded rollers and guiding side rollers.
- Quick and easy change of the tubing.
- Roller carrier with two rollers.
- Also suitable for continuous operation, depending on the drive.
- If stored longer than three months, we recommend to remove the tubing.
- Different gear motors available (DC, AC and stepper motor).



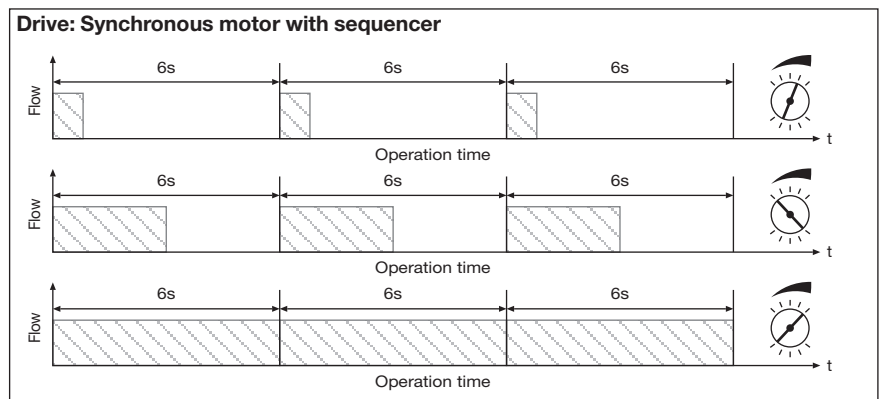
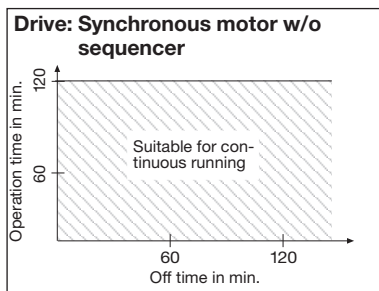
Peristaltic Pumps

Duty cycles

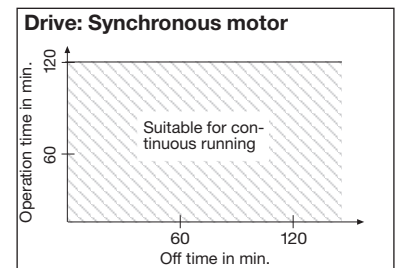
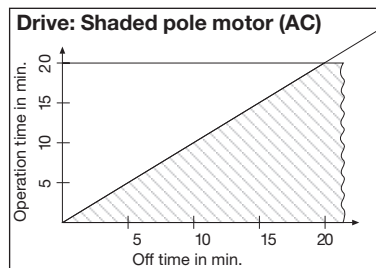
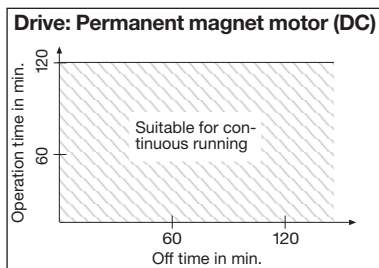
SR10



SR18



SR25



Lifetime	SR10			SR18	SR25	
	SR10/30	SR10/50	SR10/100	SR18 – 15 rpm	SR25 – 10 rpm	SR25 – 500 rpm
Lifetime of the tubing						
Novoprene	500 h	500 h ²⁾	200 h	4000 h	> 5000 h	500 h
Norprene®						
PharMed BPT®						
Silicon	200 h	200 h	–	500 h	500 h	100 h
Other wearing parts						
Roller carrier	Change the complete cassette ¹⁾ (see lifetime of the tubing)			2500 h	> 5000 h	500 h
Rolling band/lid						
Drive						
DC motor	1000 h	1000 h	1000 h	–	3000 h	
AC motor	2000 h	2000 h	5000 h	–	5000 h	2000 h
AC synchronous motor	–	–	–	4000 h	10000 h	–

General Data	SR10	SR18	SR25
Max. suction height	8 m H ₂ O	8 m H ₂ O	8 m H ₂ O
Max. pressure height	8 m H ₂ O	10 m H ₂ O	10 m H ₂ O
Max. ambient temperature	40 °C	40 °C	40 °C
Media temperature	50 °C (short time 90 °C)	50 °C (short t. 90 °C)	50 °C (short time 90 °C)

1) We recommend to roughen the shaft in axial direction when changing the cassette (sand paper grit size 150).

2) Ø 4 inner diameter on request

Norprene®, PharMed BPT® Norton Co. Reg. TM's

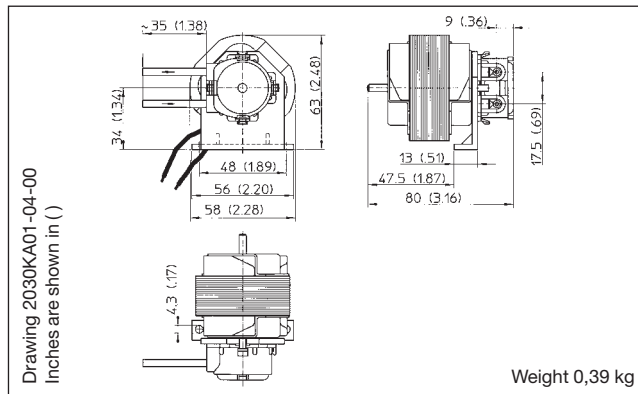
Peristaltic Pumps SR10/30

230 V/50 Hz, 12/24 V low cost DC
For short time operation only

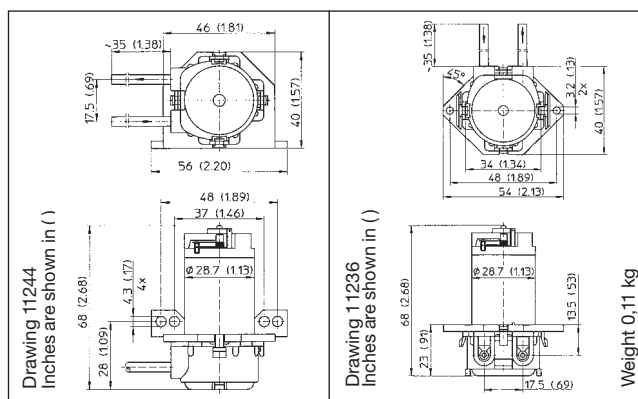
Flow **16 – 55 ml/min**



SR10/30 AC



SR10/30 DC angled fixing
(straight without drawing)
Interference suppression according to EN 55011 B (CE-conform)



Tubing Novoprene			Tubing PharMed BPT®			Fixing	Inner tubing Ø	Flow ¹⁾
12 V DC	24 V DC	230/50 Hz	12 V DC	24 V DC	230/50 Hz			
			20300512	20300542		straight	1,0	16
20300314	20300344		20300513	20300543	20300561	angled		
20300315	20300345	20300362	20300514	20300544		straight	1,5	28
20300316	20300346		20300515	20300545	20300562	angled		
20300317	20300347	20300363				straight	2,0	38
20300318	20300348		20300235	20300237		angled		
20300319	20300349	20300364	20300236	20300238	20300239	straight	2,5	55
						angled		

Tubing Silicon			Fixing	Inner tubing Ø	Flow ¹⁾
12 V DC	24 V DC	230/50 Hz			
20300412	20300442		straight	1,0	16
20300413	20300443	20300461	angled		
20300414	20300444		straight	1,5	28
20300415	20300445	20300462	angled		
20300416	20300446		straight	2,0	38
20300417	20300447	20300463	angled		
20300418	20300448		straight	2,5	55
20300419	20300449	20300464	angled		

2030... Stock programme

Current consumption depending on the tubing diameter, at free flow and nominal voltage
 12 V DC: 180 – 300 mA
 24 V DC: 90 – 150 mA
 230 V/50 Hz: 190 mA

2) Note: The indicated values are average measured with water. The actual values depend on different parameters like quality and age of tubing, pressure of tubing beds, pressure ratios, viscosity, etc. (max deviation ± 30%)
 Please see page 4 for recommended running times and general data.

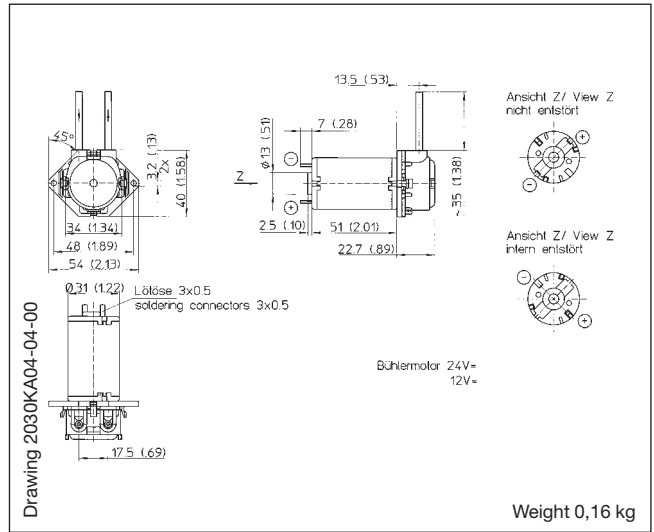
Peristaltic Pumps SR10/30

12/24 V Direct current motor
For short time operation only

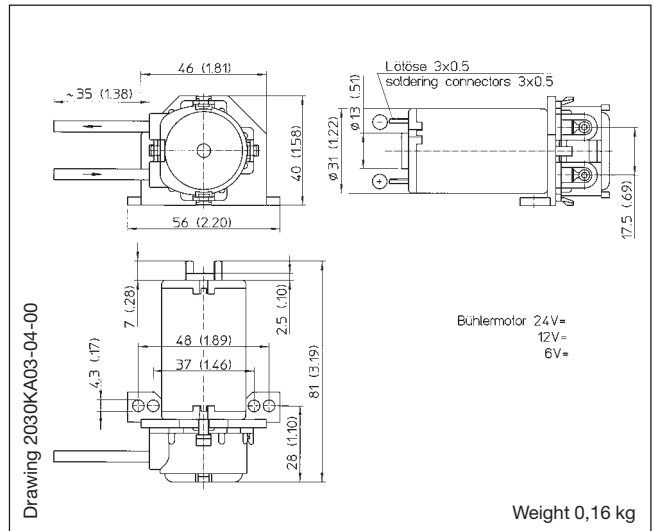
Flow	20 – 80 ml/min
-------------	-----------------------



**SR10/30 DC
Straight flange**



**SR10/30 DC
Angled flange**



Tubing Novoprene ¹⁾		Fixing	Inner tubing Ø mm	Flow ²⁾ ml/min
12 V DC	24 V DC			
20300122	20300130	straight	1,0	20
20300126	20300134	angled	1,5	37
20300123	20300131	straight	2,0	55
20300127	20300135	angled	2,5	80
20300124	20300132	straight	2,5	80
20300128	20300136	angled		

1) other tubing materials on request

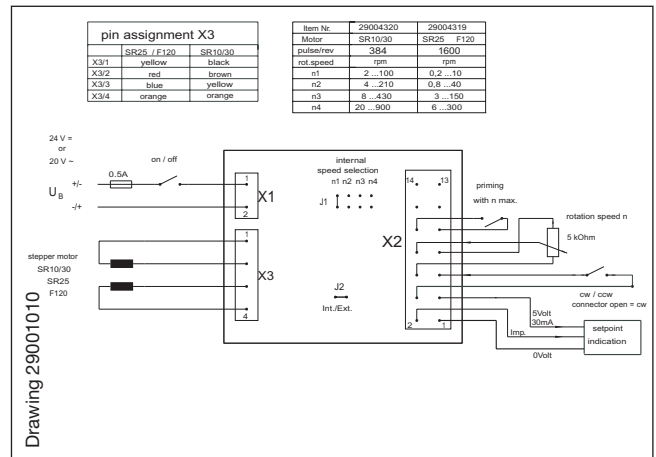
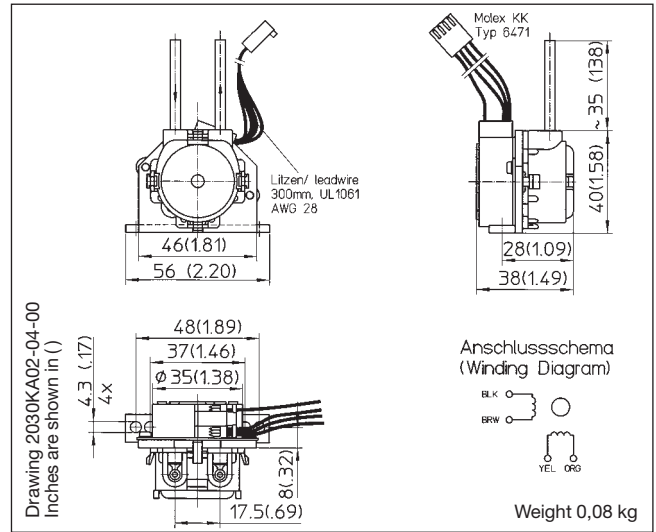
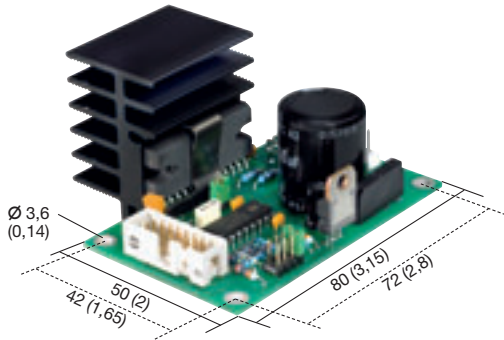
Current consumption depending on the tubing diameter,
at free flow and nominal voltage 12 V DC: 160 – 260 mA
24 V DC: 80 – 130 mA

2) Note: The indicated values are average measured with water. The actual values depend on different parameters like quality and age of tubing, pressure of tubing beds, pressure ratios, viscosity, etc. (max deviation ± 30%) Please see page 4 for recommended running times and general data.

Peristaltic Pumps SR10/30

24 V DC with stepper motor
 For short time operation only
 Circuit board recommended for
 test purposes

Flow 0,5 – 20 ml/min



4 possible operating methods

- internal speed selection via jumper – option with wiring set¹⁾
- external speed selection
- analog input via pc
- digital input (clocked pulse)

Features

- speed pre-selection
- clockwise-, counter clockwise operation
- instant priming
- selective operating method

Adjustable range	I	II	III	IV
Speed	4 – 100 rpm	8 – 210 rpm	16 – 430 rpm	40 – 900 rpm
Tubing PharMed BPT®	Max. flow²⁾ ml/min (adjustable range 4 – 100%)			
Ph 1,0 x 1,1	0,5	1	2	4
Part number – pump without circuit board	20301012			
Part number – pump with circuit board	20301002			
Ph 1,5 x 1,1	1	2	5	10
Part number – pump without circuit board	20301013			
Part number – pump with circuit board	20301003			
Ph 2,5 x 1,0	2	5	10	20
Part number – pump without circuit board	20301014			
Part number – pump with circuit board	20301004			
Electrical Data				
Nominal voltage (drive through electronic board)	24 V/DC oder 20 V/AC			
Motor	Stepper motor, bipolar, stepping angle 7,5°			
Current consumption	0,4 A			
Max. restart consumption	3 A*			
Inductance at 1 kHz, 1 V	13 mH			
Winding resistance	13 Ω			

* Delay fuse to be used.

1) Option: 14-pole connecting cable with plug, rocker switch for clockwise and lefthanded running Potentiometer and speed-push-button, part number 29000702

2) Note: The indicated values are average measured with water. The actual values depend on different parameters like quality and age of tubing, pressure of tubing beds, pressure ratios, viscosity, etc. (max deviation ± 30%) Please see page 4 for recommended running times and general data.

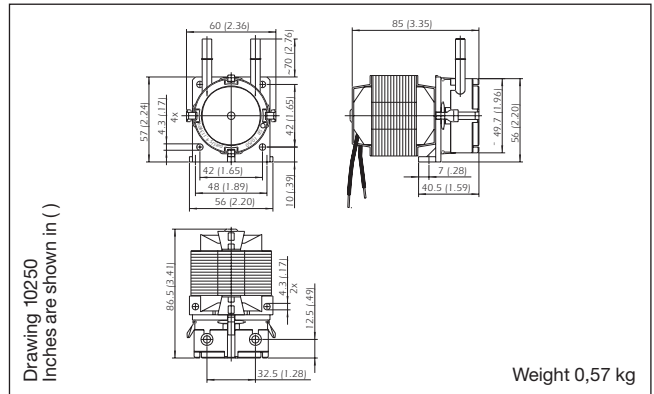
Peristaltic Pumps SR10/50

230 V/50 Hz, 12/24 V Direct current motor
For short time operation only

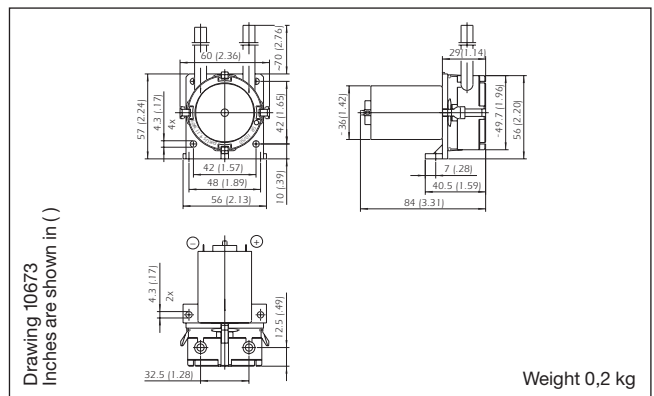
Flow **52 – 220 ml/min**



SR10/50 AC



SR10/50 DC



Tubing Novoprene			Tubing PharMed BPT®			Tubing dimensions mm	Flow ¹⁾ ml/min
12 V DC	24 V DC	230/50 Hz	12 V DC	24 V DC	230/50 Hz		
		20500519			20500718	2,4 x 1,6	75
20500501	20500505	20500520	20500702	20500705		3,2 x 1,6	100
20500502	20500506						110
		20500521			20500719	4,1 x 1,6	165
20500503	20500507		20500703	20500706			220

Tubing Silicon			Tubing dimensions mm	Flow ¹⁾ ml/min
12 V DC	24 V DC	230/50 Hz		
		20500620	2,5 x 1,6	75
20500602	20500606			100
		20500621	4,0 x 1,6	165
20500603	20500607			220

2050... Stock programme

Option: Straight flange for flush mounting part number 20501 ...
Recommended inference suppression according to EN 55011 B (CE-conform)
12/24 V DC – with additional circuit board (on request)

Current consumption depending on the tubing diameter,
at free flow and nominal voltage

12 V DC:	0,4 – 0,54 A
24 V DC:	0,2 – 0,27 A
230 V/50 Hz:	0,35 A

1) Note: The indicated values are average measured with water.
The actual values depend on different parameters like quality
and age of tubing, pressure of tubing beds, pressure ratios,
viscosity, etc. (max deviation ± 30%)
Please see page 4 for recommended running times and
general data.

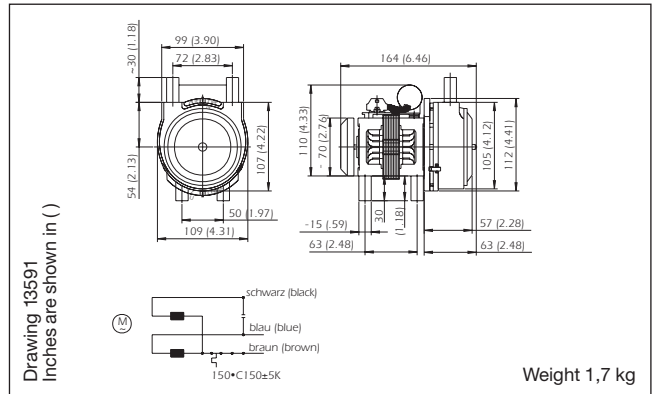
Peristaltic Pumps SR10/100

230 V/50 Hz, 12/24 V Direct current motor
For short time operation only

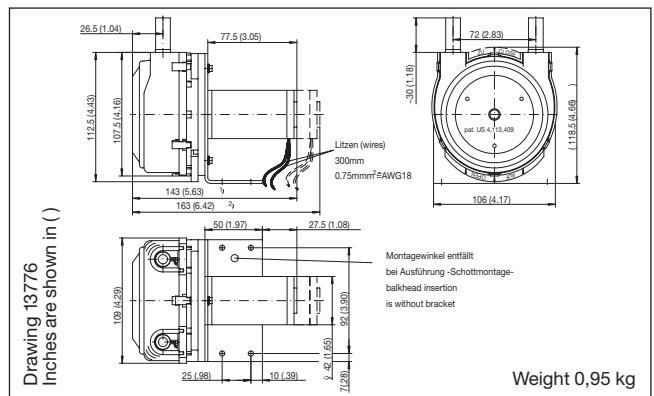
Flow 1300 – 3000 ml/min



SR10/100 AC



**SR10/100 DC
With bracket**



Tubing Norprene® 1)		Fixing	Tubing dimensions mm	Flow ²⁾ l/min
12 V DC	24 V DC			
21001008	21001009	bracket	8,0 x 2,4	2,3
21001014	21001015	flush mount		
21001200	21001122	bracket	9,5 x 2,4	3,0
21001205	21001206	flush mount		

Tubing Norprene®		Motor speed rpm	Tubing dimensions mm	Flow ¹⁾ l/min
230 V/50 Hz				
21001000		2800	6,35 x 2,4	1,3
21001001		2800	8,0 x 2,4	2,3
21001002		2800	9,5 x 2,4	3,0

1) other tubing material on request

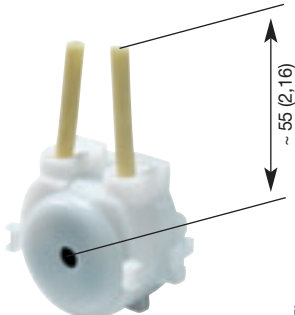
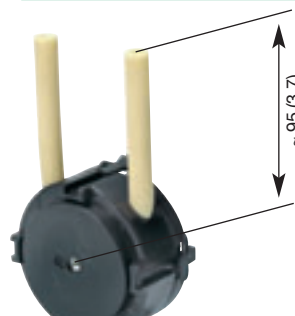
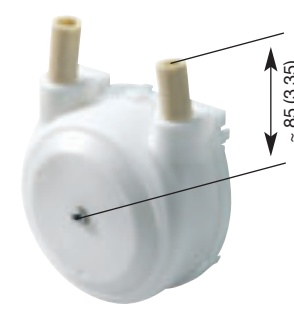
Option: Recommended inference suppression according to EN 55011 B (CE-conform)
12/24 V DC – with additional circuit board (on request)

Current consumption at free flow and nominal voltage 12 V DC: 3,0 A
24 V DC: 1,5 A
230 V/50 Hz: 0,4 A

2) Note: The indicated values are average measured with water. The actual values depend on different parameters like quality and age of tubing, pressure of tubing beds, pressure ratios, viscosity, etc. (max deviation ± 30%)
Please see page 4 for recommended running times and general data.

Peristaltic Pumps Series SR10

Spare parts SR10 series

Model	Tubing Inner Ø x Wall thickness	Drive		
		DC low cost Page 5	DC + AC Pages 5, 6, 7	
Model SR10/30  <p>~ 55 (2,16)</p> <p>inches are shown in ()</p>	Novoprene 1,5 x 1,0 mm	92030703	92030514	
	Novoprene 2,0 x 1,0 mm	92030702	92030513	
	Novoprene 2,5 x 1,0 mm	92030701	92030704	
	PharMed BPT® 1,0 x 1,1 mm	92030548	92030604	
	PharMed BPT® 1,5 x 1,1 mm	92030534	92030549	
	PharMed BPT® 2,5 x 1,0 mm	92030611	92030603	
	Silicon 1,0 x 1,0 mm	92030800	92030505	
	Silicon 1,5 x 1,0 mm	92030802	92030554	
	Silicon 2,0 x 1,0 mm	92030804	92030555	
	Silicon 2,5 x 1,0 mm	92030806	92030553	
	Model SR10/50  <p>~ 95 (3,7)</p>	Novoprene 2,4 x 1,6 mm	92050576	
		Novoprene 3,2 x 1,6 mm	92050577	
Novoprene 4,1 x 1,6 mm		92050594		
PharMed BPT® 2,0 x 1,6 mm		92050585		
PharMed BPT® 2,4 x 1,6 mm		92050586		
PharMed BPT® 4,0 x 1,6 mm		92050587		
Silicon 2,0 x 1,6 mm		92050581		
Silicon 2,5 x 1,6 mm		92050582		
Silicon 4,0 x 1,6 mm		92050583		
Model SR10/100  <p>~ 85 (3,35)</p>		Norprene® 6,35 x 2,4 mm	92100512	
	Norprene® 8,0 x 2,4 mm	92100504		
	Norprene® 9,5 x 2,4 mm	92100501		
	Tubing dimensions 1,5 x 1,0 mm Inner Ø Wall thickness			

Peristaltic Pumps SR18 with QuiXchange System

230 V/50 Hz²⁾, synchronous gear motor
Suitable for continuous running

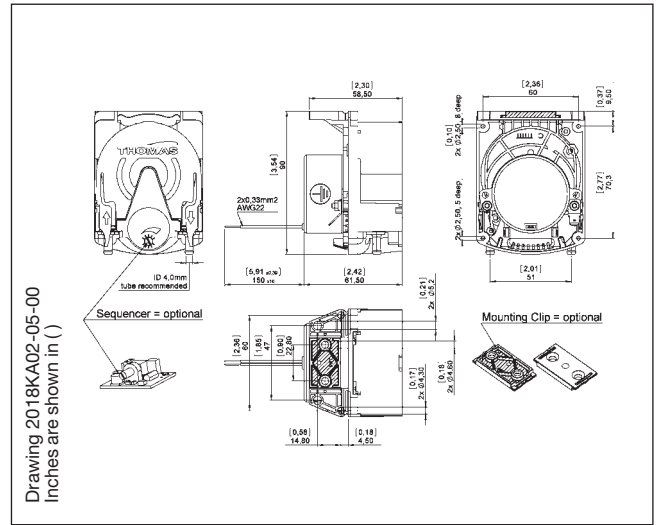
Flow 5 – 50 ml/min



Tube QuiXchange

Features

Sequencer to adjust on/off-time (0% – 100%)



	Nominal speed	QuiXchange
	15 Upm	
Flow¹⁾ ml/min		Tubing only
Tubing Novoprene (ID x OD)		
N 6,0 x 1,6 mm	50	
Part number – pump without sequencer	20180051	92018551
Part number – pump with sequencer	20181051	92018551
N 4,1 x 1,6 mm	20	
Part number – pump without sequencer	20180052	92018552
Part number – pump with sequencer	20181052	92018552
N 2,4 x 1,6 mm	10	
Part number – pump without sequencer	20180053	92018553
Part number – pump with sequencer	20181053	92018553
N 1,6 x 1,6 mm	5	
Part number – pump without sequencer	20180054	92018554
Part number – pump with sequencer	20181054	92018554
Tubing Silicon (ID x OD)		Tubing only
S 5,0 x 1,6 mm	40	
Part number – pump without sequencer	20180002	92018502
Part number – pump with sequencer	20181002	92018502
S 4,0 x 1,6 mm	25	
Part number – pump without sequencer	20180003	92018503
Part number – pump with sequencer	20181003	92018503
S 2,5 x 1,6 mm	10	
Part number – pump without sequencer	20180001	92018501
Part number – pump with sequencer	20181001	92018501
Running Data		
On - time	continuous running possible	
Rotation direction	clockwise	
Electrical Data		
Voltage	230 V/50 Hz ²⁾	
Motor	synchronous	
Motor insulation class	E	
Power consumption	5,5 W	
General Data		
Connector material	PP	
Weight	0,23 kg	

2018... Stock programme

1) Note: The indicated values are average measured with water. The actual values depend on different parameters like quality and age of tubing, pressure of tubing beds, pressure ratios, viscosity, etc. (max deviation ± 10%) Please see page 4 for recommended running times and general data.

2) 115 V/60 Hz and 100 V/50-60 Hz on request

Options: mounting clip Art. Nr. 29027360
threaded tubing connector Art. Nr. 29027298

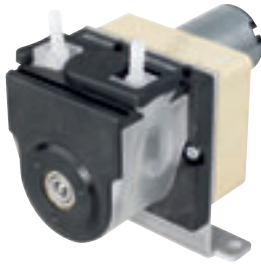
Peristaltic Pumps SR25

12/24 V, Direct current motor

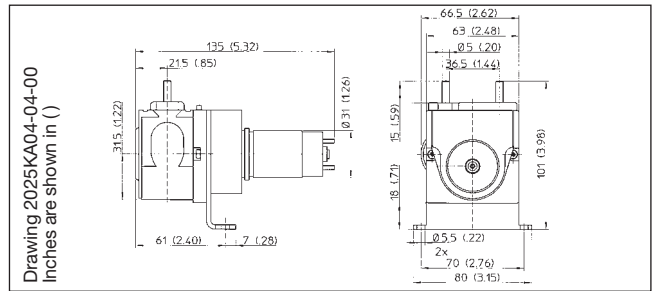
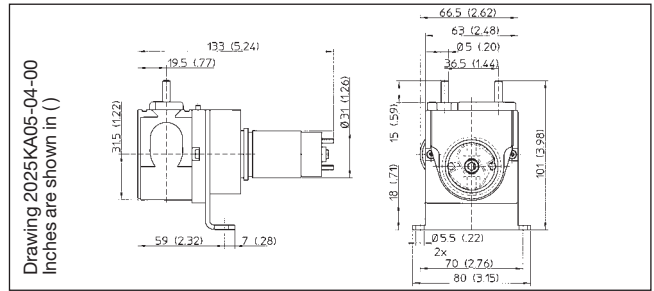
Flow **2 – 287 ml/min**



**SR25, 10 to 80 rpm
Direct current motor**



**SR25-170 rpm¹⁾
Direct current motor**



Bore pattern to fit in a housing see page 14.

	Nominal speed				
	10 rpm	30 rpm	65 rpm	80 rpm	170 rpm ¹⁾
Tubing Novoprene	Flow²⁾ ml/min				
N 1,6 x 1,6 mm	2	7			
Part number 12 V		20251397			
Part number 24 V	20251388	20251401			
N 3,2 x 1,6 mm	8,4	25	56		
Part number 12 V		20251398	20251411		
Part number 24 V	20251371	20251255	20251412		
N 4,1 x 1,6 mm	12,0	36	82	102	204
Part number 12 V		20251399	20250083		20251261
Part number 24 V	20251389	20251402	20250082	20251010	20250396
N 4,8 x 1,6 mm	17	48	118	132	264
Part number 12 V		20251400	20250426		20251224
Part number 24 V	20251247	20251403	20251413	20250287	20250130
Tubing Silicon	Flow²⁾ ml/min				
S 2,0 x 1,0 mm	3,5				
Part number 12 V					
Part number 24 V	20251394				
S 3,0 x 1,5 mm	6,5	19			
Part number 12 V		20251405			
Part number 24 V	20251395	20251408			
S 4,0 x 1,5 mm	13	38		103	
Part number 12 V		20250302			
Part number 24 V	20251396	20251409		20251434	
S 5,0 x 1,5 mm	18	54		143	287
Part number 12 V		20251406			20251441
Part number 24 V	20250092	20251366		20251435	20251444
Electrical Data	Direct current motor				
Motor					
Power consumption	2 W		3,5 W		7 W
General Data					
Weight	0,6 kg				

1) Pump with counter bearing

2025... Stock programme

Material of tubing connectors:

Tubing Silicon: for all Ø PVC
 Tubing Novoprene: Ø 1,6/3,2 mm – PVC
 Ø 4,1/4,8 mm – PP

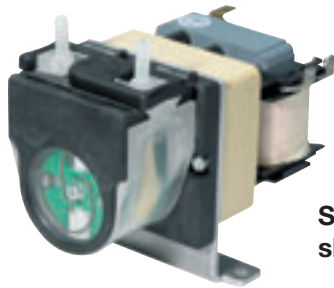
Option: Recommended inference suppression according to EN 55011 B (CE-conform)
 12/24 V DC – with additional circuit board (on request)

2) Note: The indicated values are average measured with water. The actual values depend on different parameters like quality and age of tubing, pressure of tubing beds, pressure ratios, viscosity, etc. (max deviation ± 10%)
 Please see page 4 for recommended running times and general data.

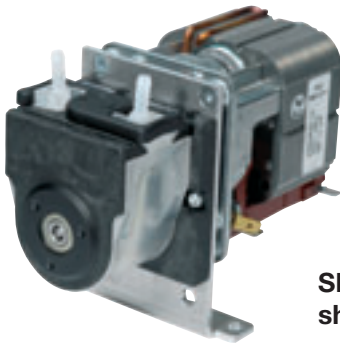
Peristaltic Pumps SR25

230 V/50 Hz, shaded pole motor
For short time operation only

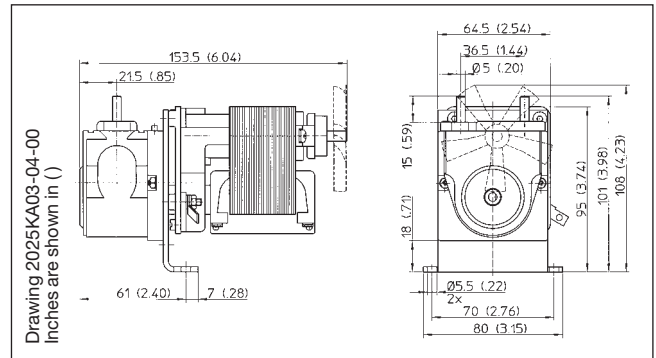
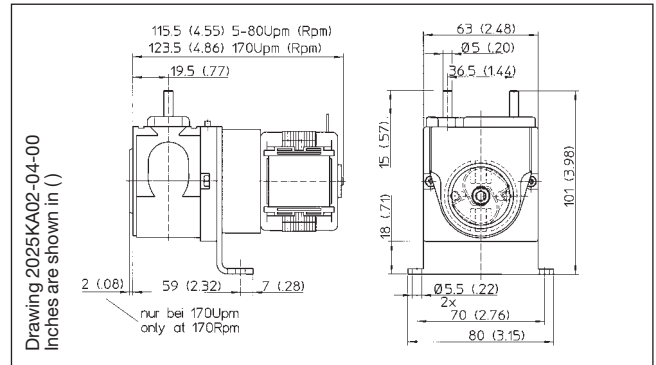
Flow **6 – 746 ml/min**



SR25, 30 to 170 rpm shaded pole motor



SR25 – 500 rpm shaded pole motor¹⁾



Bore pattern to fit in a housing see page 14.

	30 rpm	65 rpm	80 rpm	170 rpm ¹⁾	500 rpm ¹⁾³⁾
Nominal speed					
Flow²⁾ ml/min					
Tubing Novoprene					
N 1,6 x 1,6 mm	6	12	15		
Part number	20250009	20250013	20250893		
N 3,2 x 1,6 mm	21	47	56		
Part number	20250010	20250014	20250892		
N 4,1 x 1,6 mm	30	68	85	170	545
Part number	20250881	20250886	20250891	20250899	20250914
N 4,8 x 1,6 mm	40	90	110	220	690
Part number	20250880	20250884	20250020	20250898	20250913
Tubing Silicon					
Flow²⁾ ml/min					
S 4,0 x 1,5 mm	32	70	86	173	546
Part number	20251280	20250888	20250895	20250904	20250920
S 5,0 x 1,5 mm	45	88	119	239	746
Part number	20250047	20250887	20250057	20250903	20250919
Electrical Data					
Voltage	230 V/50 Hz			230 V/50 Hz	230 V/50 Hz
Motor	Shaded pole motor			Shaded pole motor	Shaded pole motor
Power consumption	16 W			27 W	68 W
Motor insulation class	E			E	E
General Data					
Protection class	IP00			IP00	IP00
Weight	0,7 kg			0,85 kg	1,5 kg

2025... Stock programme

1) Pump with counter bearing
3) Fan

Material of tubing connectors:
Tubing Silicon: for all Ø PVC
Tubing Novoprene: Ø 1,6/3,2 mm – PVC
Ø 4,1/4,8 mm – PP

2) Note: The indicated values are average measured with water. The actual values depend on different parameters like quality and age of tubing, pressure of tubing beds, pressure ratios, viscosity, etc. (max deviation ± 10%) Please see page 4 for recommended running times and general data.

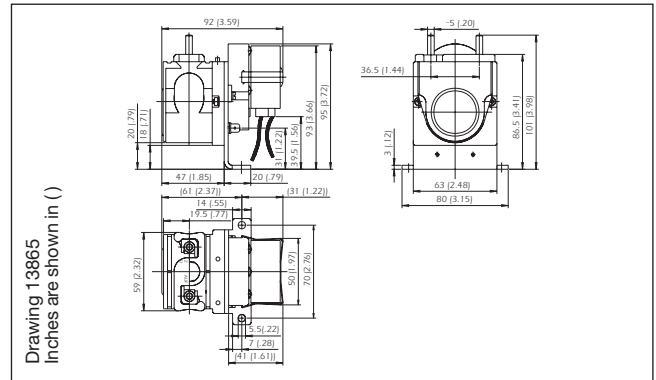
Peristaltic Pumps SR25

230 V/50 Hz, synchronous motor
Suitable for continuous operation

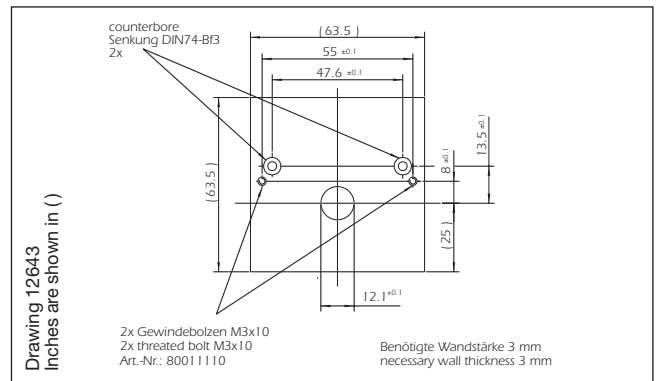
Flow 0,2 – 14 ml/min



SR25, 1 to 10 rpm
Synchronous motor



Bore pattern to fit
in a housing
(not illustrated)



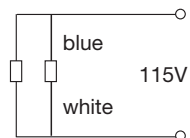
	Nominal speed		
	1 rpm	5 rpm	10 rpm
Tubing Novoprene	Flow¹⁾ ml/min		
N 1,6 x 1,6 mm	0,2		
Part number	20251737		
N 3,2 x 1,6 mm	0,7	3,5	7,0
Part number	20251738	20251351	20251355
N 4,1 x 1,6 mm	1,0	5,0	10
Part number	20251739	20251352	20251356
N 4,8 x 1,6 mm	1,3	6,8	14
Part number	20251740	20251353	20251357
Electrical Data			
Voltage	230 (115) V/50 Hz		
Motor	Synchronous		
Power consumption	7,5 W		
Motor insulation class	E		
General Data			
Protection class	IP00		
Weight	0,39 kg		

2025... Stock programme

Electrical wiring:



Option:



Material of tubing connectors:

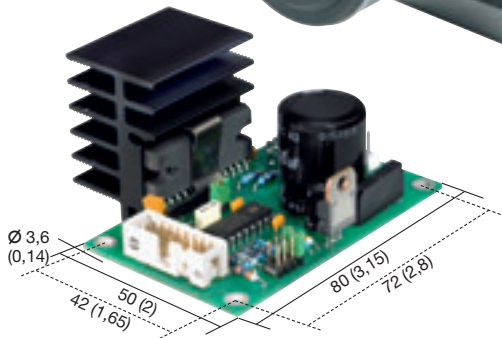
Tubing Novoprene: Ø 1,6/3,2 mm – PVC
Ø 4,1/4,8 mm – PP

2) Note: The indicated values are average measured with water. The actual values depend on different parameters like quality and age of tubing, pressure of tubing beds, pressure ratios, viscosity, etc. (max deviation ± 10%)
Please see page 4 for recommended running times and general data.

Peristaltic Pumps SR25-S300

24 V DC with stepper motor
Circuit board recommended for
test purposes

Flow 0,1 – 430 ml/min

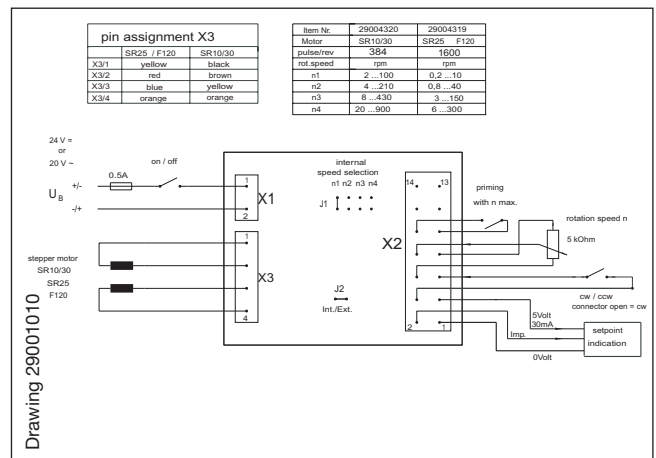
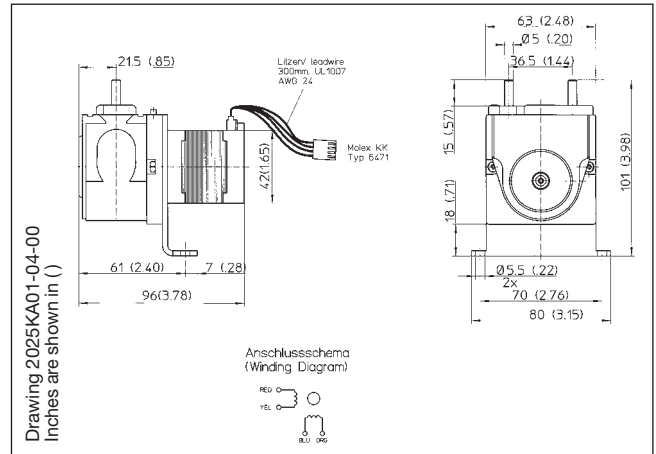


4 possible operating methods

- internal speed selection via jumper – option with wiring set¹⁾
- external speed selection
- analog input via pc
- digital input (clocked pulse)

Features

- speed pre-selection
- clockwise-, counter clockwise operation
- instant priming
- selective operating method



Adjustable range	I	II	III	IV
Speed	0,4 – 10 rpm	1,6 – 40 rpm	6 – 150 rpm	12 – 300 rpm
Tubing Novoprene	Max. flow²⁾ ml/min			
N 1,6 x 1,6 mm	0,1 – 2	0,3 – 7	1 – 26	2 – 55
Part number – pump without circuit board	20252200			
Part number – pump with circuit board	20252100			
N 3,2 x 1,6 mm	0,3 – 7	1 – 30	4 – 110	9 – 210
Part number – pump without circuit board	20252201			
Part number – pump with circuit board	20252101			
N 4,8 x 1,6 mm	0,6 – 14	2 – 60	9 – 215	20 – 430
Part number – pump without circuit board	20252202			
Part number – pump with circuit board	20252102			
Running Data	Continuous operation			
On-time	Clockwise			
Recommended rotating direction at continuous operation	Clockwise			
Electrical Data	24 V DC or 20 V AC			
Nominal voltage (drive through electronic board)	24 V DC or 20 V AC			
Motor	Stepper motor, bipolar, stepping angle 1,8°			
Current consumption	0,8 A			
Max. restart consumption	5 A*			
Inductance at 1 kHz, 1 V	14 mH			
Winding resistance	6 Ω			
Motor insulation class	B			
General Data	PVDF			
Material of the hose clip	PVDF			
Weight of the pump	0,5 kg			

* Delay fuse to be used.

1) Option: 200 mm 14-pole connecting cable with plug, rocker switch for clockwise and lefthanded running Potentiometer and speed-push-button, part number 29000702

2) Note: The indicated values are average measured with water. The actual values depend on different parameters like quality and age of tubing, pressure of tubing beds, pressure ratios, viscosity, etc. (max deviation ± 10%) Please see page 4 for recommended running times and general data.

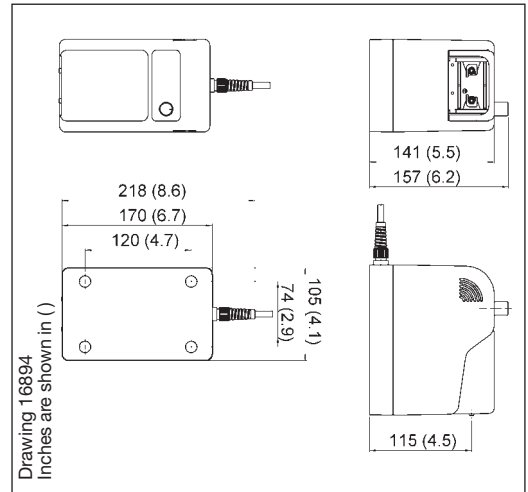
Peristaltic Pumps SR25 - Adjustable

Synchronous motor

Flow 0,2 – 21 ml/min



SR25 – adjustable plastic housing with synchronous motor (for wall fastening)



Synchronous motor	
Voltage:	230 V/50 Hz
Power consumption:	7,5 W
Tubing:	Novoprene
Pressure height:	max. 10 m H ₂ O
Suction height:	max. 8 m H ₂ O

Flow range ¹⁾ ml/min	Tubing wall thickness Ø x mm	Part number with plastic housing
0,2 – 21	N 4,8 x 1,6 mm	20252402

EMC guide line

Interference resistance according to EN 50082-1
Emitted interference according to EN 55011 B

1) Note: The indicated values are average measured with water. The actual values depend on different parameters like quality and age of tubing, pressure of tubing beds, pressure ratios, viscosity, etc. (max deviation ± 10%)
Please see page 4 for recommended running times and general data.

Peristaltic Pumps SR25

Spare Parts SR25

Tubing with connectors	Tubing	Diameter x wall thickness	Connectors	Part number	
	Novoprene	1,6 x 1,6 mm	PVC	92025500	
	Novoprene	3,2 x 1,6 mm	PVC	92025501	
	Novoprene	4,1 x 1,6 mm	PE	92025502	
	Novoprene	4,8 x 1,6 mm	PE	92025503	
	Test-set with all tubings				92025856
	Silicon	2,0 x 1,0 mm	PVC	92025507	
	Silicon	3,0 x 1,5 mm	PVC	92025508	
	Silicon	4,0 x 1,5 mm	PVC	92025509	
	Silicon	5,0 x 1,5 mm	PVC	92025532	
	Test-set with all tubings				92025857
	Option				
	PharMed BPT®	4,0 x 1,6 mm	PVDF	92025849	
	PharMed BPT®	4,8 x 1,6 mm	PVDF	92025843	
	Novoprene	1,6 x 1,6 mm	PVDF	92025552	
	Novoprene	3,2 x 1,6 mm	PVDF	92025533	
Novoprene	4,1 x 1,6 mm	PVDF	92025549		
Novoprene	4,8 x 1,6 mm	PVDF	92025563		

Roller carrier	Speed	SR25 AC	SR25 12 V DC	SR25 24 V DC	SR25 Synchron
	1 rpm	–	–	–	92025799 ²⁾
5 rpm	–	–	–	92025799 ²⁾	
10 rpm	–	–	92025804 ²⁾	92025799 ²⁾	
30 rpm	92025803 ¹⁾	92025803 ¹⁾	92025803 ¹⁾	–	
65 rpm	92025803 ¹⁾	92025803 ¹⁾	92025803 ¹⁾	–	
80 rpm	92025803 ¹⁾	–	92025803 ¹⁾	–	
170 rpm	92025801 ¹⁾	92025806 ²⁾	92025806 ²⁾	–	
300 rpm	–	–	92025801 ¹⁾ (Steppermotor)	–	
500 rpm	92025801 ¹⁾	–	–	–	

Pump body with clamp	Speed	Type	Part number
	1 – 10 rpm	SR25 Synchr.	92025625 (Counterbearing)
	10 – 80 rpm	SR25 AC/DC	92025630
	170 – 500 rpm	SR25 AC/DC	92025625 (Counterbearing)

Rolling band	Part number
	29008965

Clamp	Part number
	29020480

1) Clockwise direction
2) Counter clockwise direction

Peristaltic Pumps

Tubing Properties

Tube	Characteristics	Limitations
Novoprene	Standard tubing for the SR10/30, SR10/50 and SR25 Long lifetime Wide range of applications	May swell up with oil or oily liquids
Norprene®	Standard tubing for the SR10/100 Long lifetime Suitable especially for alkaline solutions	
PharMed BPT®	High quality for medical, laboratory and research use Homogeneous structure and therefore comparatively better chem. resistance Long lifetime Suitable for mineral, vegetable and animal oil	Expensive
Silicon	Suitable for polar solvents (with the exception of chlorinated aliphatic and aromatized hydrocarbon) No detachment of softening agents Very stable elasticity over a wide temperature range (-30 bis 180 °C)	Not recommended with strong acids or alkaline solutions Swells up in many organic solutions
Viton®	Quite good resistance especially against acids Low gas permeability	Limited lifetime

Choice of tubing depending on flow medium

		Novoprene	Norprene®	PharMed BPT®	Silicon	Viton®
Acids	weak medium strong		very good good not recommended		good unsatisfactory not recommended	very good very good good
Alkaline solution	weak medium strong	very good good not recommended		very good very good good	good unsatisfactory not recommended	very good very good good
Hydro-carbons	aliphatic aromatized halogenated					good
Standards/ physiological behaviour		basis material meets FDA (21 CFR 177.2600) doesn't fulfill the EU food requirement 2002/72/EC	not recommended for food, drinks or medicine	USP, class VI FDA (21 CFR 177.2600) NSF	physiologically inert	not recommended for food, drinks or medicine
Chemical structure		thermoplastic elastomer on PP-Basis with cross linked EPDM parts	thermoplastic elastomer on PP-Basis	thermoplastic elastomer on PP-Basis	high cross linked Polysiloxane with anorganic fillers	Fluorcarbonrubber

Peristaltic Pumps

Chemical Resistance Of Tubing Materials

N = Novoprene Nor = Norprene® Ph = PharMed BPT® S = Silicon V = Viton®

	N	Ph/Nor	S	V		N	Ph/Nor	S	V
Acetaldehyde	C	C	C	C	Hydrogen peroxide	A	A	C	A
Acetate	C	B	D	C	Hydrogen sulphide	A	A	C	C
Acetic acid	A	A	A	C	Isoprophyl alcohol	A	B	A	A
Acetic anhydride	A	A	C	C	Jodine	A	A	C	A
Acetone	C	C	A	C	Kaliumhydroxyde	A	A	C	C
Aluminium chloride	A	A	D	A	Ketones	C	C	-	C
Aluminium sulfate	A	A	A	A	Lactic acid	A	A	C	A
Ammonia	A	A	C	C	Magnesium chloride solution	A	A	A	A
Amyl acetate	C	B	C	C	Mercury salts	A	A	C	A
Amyl alcohol	A	C	C	A	Methanol	A	A	A	C
Amyl chloride	C	C	C	C	Methyl ethyl ketone	B	C	C	C
Aniline	A	B	C	C	Nitrous acid 10 %	B	A	C	A
Aqua regia	C	C	C	C	Oil, animal	B	B	B	A
Arsenic acid	C	C	A	A	Oil, hydraulic	C	C	D	A
Barium hydroxide	A	A	A	A	Oil, linseed	B	B	A	A
Benzaldehyde	C	C	C	C	Oil, mineral	C	C	C	A
Benzene	C	C	C	A	Oil, vegetable	C	B	A	A
Benzoic acid	A	B	B	A	Oleic acid	C	C	C	B
Benzylalcohol	-	A	B	A	Oxalic acid	B	B	B	A
Bleaching agent	B	A	A	A	Paraffins	C	C	-	B
Boric acid	A	A	A	A	Perchloric acid	C	C	C	A
Break liquid	A	A	A	C	Perchloroethylene	C	C	C	B
Bromine	C	C	C	A	Petrol	C	C	C	A
Butane	A	A	C	A	Phenol	A	A	C	A
Butanol	B	C	C	A	Phosphoric acid, 25 %	A	A	C	A
Calcium hypochlorite	A	A	B	A	Photographic solutions	B	B	A	A
Carbon disulphide	C	C	C	B	Phtalic acid, 9 %	-	A	A	A
Chloracetic acid	A	B	-	C	Potassium salts	A	A	A	A
Chlorine, liquid	C	C	C	A	Pyridine	C	C	C	C
Chlorobenzene	C	C	C	C	Soap solution	A	A	A	B
Chloroform	C	C	C	B	Sodium carbonate	A	A	A	A
Chromic acid 50 %	C	C	C	A	Sodium chloride	A	A	A	A
Chromium salts	A	A	C	A	Sodium hydroxide 40 %	A	A	B	C
Citric acid	B	B	A	C	Sodium hypochlorite <5%	A	A	B	A
Cyclohexane	C	C	C	B	Sodium hypochlorite 12 %	A	A	B	A
Diesel fuel	C	C	C	A	Sodium salt	A	A	A	A
Ethanol	A	A	C	C	Stearic acid, 5 %	B	A	B	A
Ether	C	C	C	C	Sulphurdioxide, wet gas	A	A	B	A
Ethyl alcohol	A	A	A	C	Sulphuric acid, 30 %	A	A	C	A
Ethyl chloride	A	A	C	B	Sulphuric acid, 75-100%	C	C	C	A
Ethylene glycol	-	A	A	A	Sulphurtrioxide	-	B	-	A
Ferric sulfate	A	A	A	A	Tannic acid	A	B	A	B
Fluor silicium acid	C	C	-	A	Tetrahydrofurane	C	C	C	A
Fluoroboric acid, 48 %	B	B	-	A	Toluole	C	C	C	C
Formaldehyde	B	C	B	C	Trichloroehtylene	B	B	C	B
Formamide	A	B	-	C	Turpentine	C	C	C	A
Formic acid	A	B	A	C	Urea	A	A	A	A
Furfural	C	C	-	C	Uric Acid	A	A	-	A
Hydrochloric acid	A	A	C	B	Xylene	C	C	C	C
Hydrocyanic acid	A	A	C	B	Zinc chloride	B	B	B	A

A = small or no effect
 B = minor or moderate effect
 C = severe effect
 D = no reliable data, please test before use
 - = no available data

Norprene®, PharMed BPT®, Viton® Du Pont, Norton Co. Reg. TM's,

The material resistance is influenced by temperature and concentration of the medium.
 The data have to be seen as indications and do not guarantee the material properties.



Printed in Germany.
Art.-Nr.: 17000056 07/2009

Carbon Neutral printed 

Gardner Denver Thomas GmbH
Siemensstraße 4 · Gewerbegebiet Nord · D-82178 Puchheim
Phone: +49 89 80900-0 · Fax: +49 89 808368
e-Mail: thomas.de@gardnerdenver.com · <http://www.gd-thomas.com>