

# Barriere per bordo laterale su rilevato

Single sided guardrails



# steel safety on roadways

Require Marcegaglia Buildtech full range of steel road safety barriers: from the **steel partner**, steel safety on roadways.

Marcegaglia Buildtech safety barriers solutions are part of Marcegaglia steel production chain and are engineered, assembled then **tested** in order to comply with specific **norm requirements**.

## Certificazioni

*Certifications - Zertifizierungen - Certifications - Certificaciones*

- **RINA ISO 9001:2008** certificato N. 12370/05/S
- **IQNet - CISQ/RINA** Quality Management System **ISO 9001:2008** Registration N. IT-42009
- **Certificati CE** di costanza della prestazione

## Crash tests

*Crash tests - Crash-Tests - Essais de chocs - Crash tests*



## Classe H1 Bordo Laterale - Barriera 2 onde singola su rilevato W3

Class H1 Roadside - 2-waves single sided guardrail W3

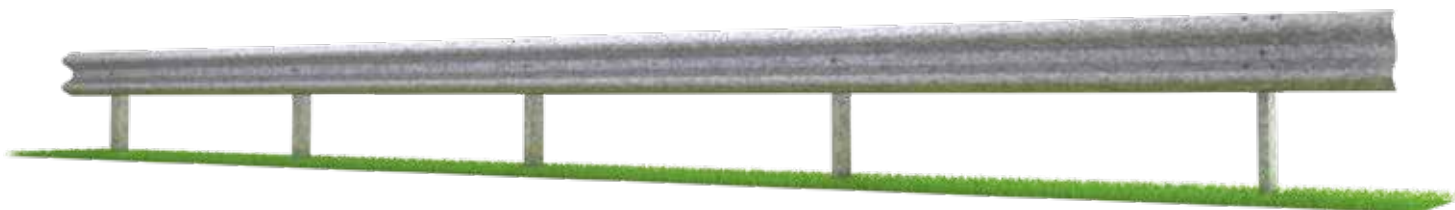
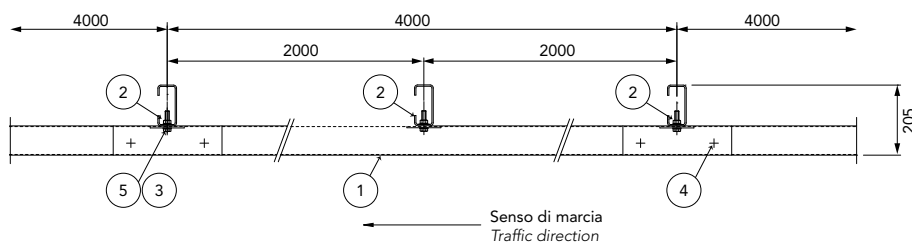
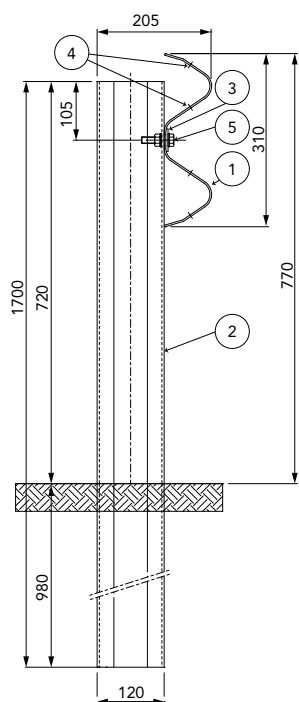
Aufhaltestufe H1 für rammfähige Böden - 2-welliges Rückhaltesystem W3

Classe H1 Bord latéral - Glissière 2 crosses simple sur remblai W3

Clase H1 Borde lateral - Barrera de doble onda simple sobre base terreno W3

# H1-W3

## 2-waves



### Caratteristiche Characteristics, Eigenschaften, Caractéristiques, Características

<b>Altezza fuori terra</b> <i>Height above ground level, Höhe über Grundboden, Hauteur hors sol, Altura sobre el suelo</i>	770 mm
<b>Profondità d'infissione</b> <i>Depth of penetration, Rammtiefe, Profondeur de piling du poteau, Longitud hincada</i>	980 mm
<b>Ingombro trasversale</b> <i>Overall width, Gesamtbreite, Grosseur hors tout, Anchura total</i>	205 mm
<b>Interasse pali</b> <i>Post spacing, Steherabstand, Distance entre poteaux, Distancia entre postes</i>	2000 mm

### Rapporti di prova Crash test reports, Testberichte, Comptes rendus d'essais, Relaciones de pruebas

Test n.	Facility	Test	Type	Barrier length m	Mass kg	Speed km/h	ASI max 1.4	THIV max 33 km/h	D m	Vi m	W m
PROVA 939	Aisico	TB42	Laterale 15°	68	10.000	70	-	-	0,8	1,3	1=W3
PROVA 941	Aisico	TB11	Laterale 20°	68	900	100	0,8=A	27	0,7	-	0,8=W2

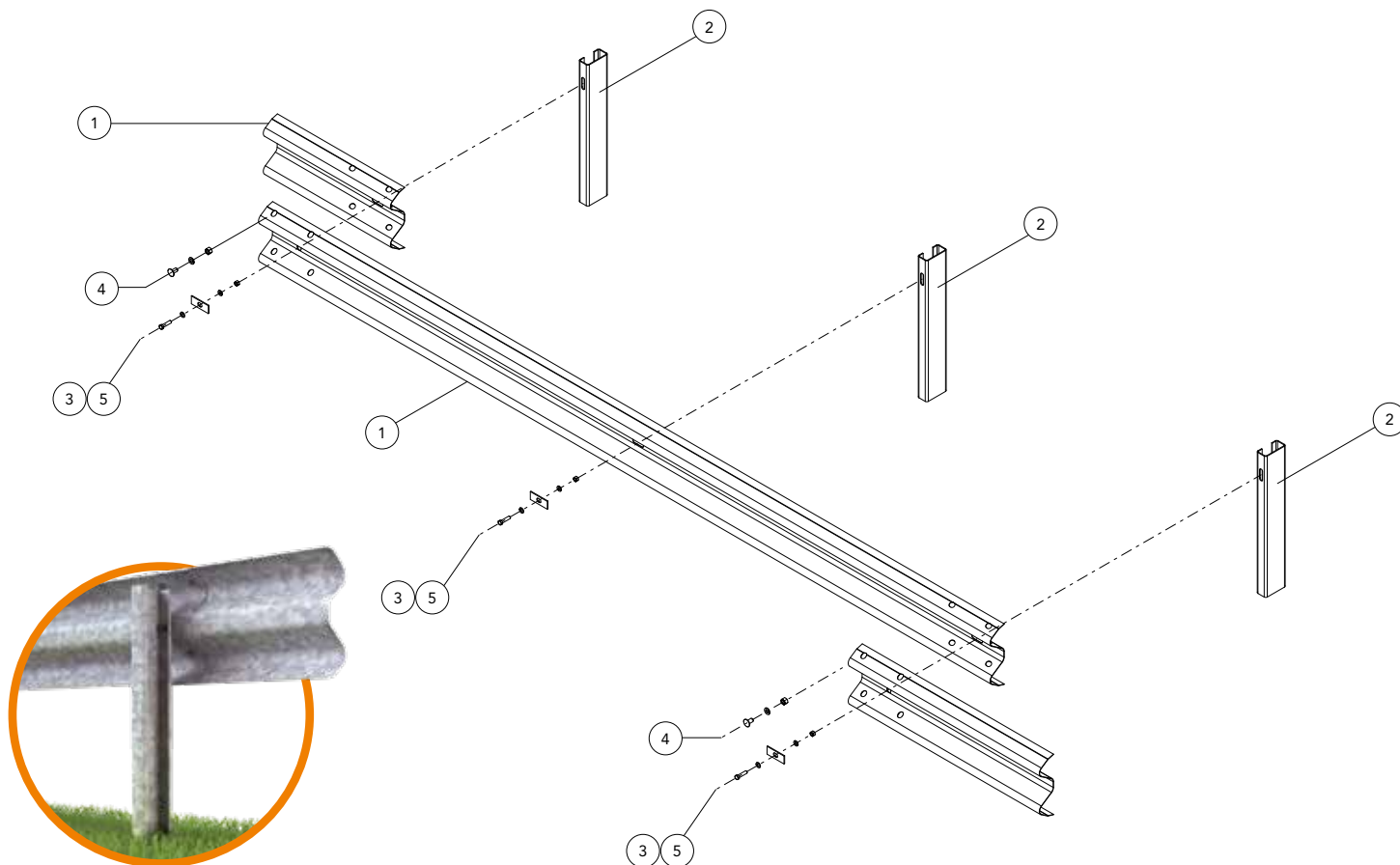
Sales office:

**MARCEGAGLIA BUILDTECH guardrail division**  
 strada Roveri, 4  
 15068 Pozzolo Formigaro, Alessandria - Italy  
 phone +39 . 0143 77 61 • fax +39 . 0143 77 63 53

guardrail@marcegaglia.com  
 www.marcegagliabuildtech.it

Plants:

**MARCEGAGLIA BUILDTECH Pozzolo Formigaro**  
 strada Roveri, 4  
 15068 Pozzolo Formigaro, Alessandria - Italy  
 phone +39 . 0143 77 61 • fax +39 . 0143 77 63 53



Componenti Components, Bauteile, Composants, Elementos			
Descrizione - barriera in acciaio zincato Description - galvanized steel barrier			Materiale Material
5	<b>Bullone completo</b> Bolt with nut and washer, Schraube komplett, Boulon complet, Tornillo completo con tuerca y arandela	M12x50 mm	Classe 8.8
4	<b>Bullone completo</b> Bolt with nut and washer, Schraube komplett, Boulon complet, Tornillo completo con tuerca y arandela	M16x30 mm	Classe 8.8
3	<b>Piastrina copriasola</b> Slot covering plate, Lochabdeckplatte, Plaque de couverture fente, Placa cubre-ranura	100x40x4 mm	S 275 JR
2	<b>Palo "C"</b> C-post, C-Steher, Poteau en C, Poste "C"	120x55x30 Th=4 H=1700mm	S 275 JR
1	<b>Fascia 2 onde</b> 2-waves beam, 2-wellige Leitschiene, Glissière 2 crosses, Banda doble onda	L=4316 Th=2 mm	S 355 JR

Componenti Components, Bauteile, Composants, Elementos			
Descrizione - barriera in acciaio corten Description - corten steel barrier			Materiale Material
5	<b>Bullone completo + 2 rondelle</b> Bolt with nut and washer + 2 washers, Schraube komplett + 2 scheibe, Boulon complet + 2 rondelle, Tornillo completo con tuerca y arandela + 2 arendelas	M12x50 mm	Tropicaliz.
4	<b>Bullone completo</b> Bolt with nut and washer, Schraube komplett, Boulon complet, Tornillo completo con tuerca y arandela	M16x30 mm	Tropicaliz.
3	<b>Piastrina copriasola</b> Slot covering plate, Lochabdeckplatte, Plaque de couverture fente, Placa cubre-ranura	100x40x4 mm	S 355 JOWP
2	<b>Palo "C"</b> C-post, C-Steher, Poteau en C, Poste "C"	120x55x30 Th=4 H=1700mm	S 355 JOWP
1	<b>Fascia 2 onde</b> 2-waves beam, 2-wellige Leitschiene, Glissière 2 crosses, Banda doble onda	L=4316 Th=2 mm	S 355 JOWP