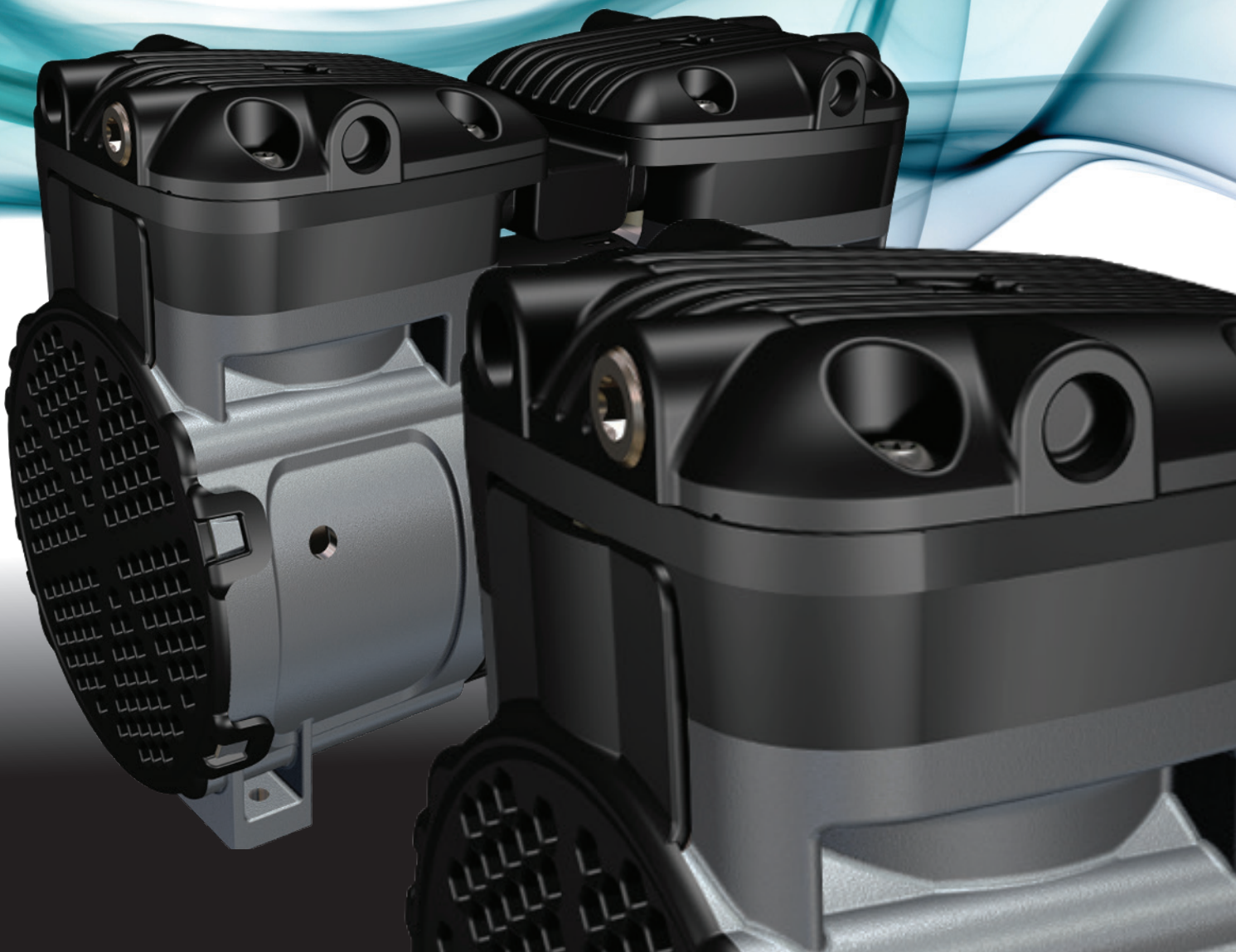


## Quietly setting the new standard.

**The NEW Gast 86/87R Series Oil-Less Rocking Piston Compressor and Vacuum Pumps are engineered from the ground up to fit virtually any application.**

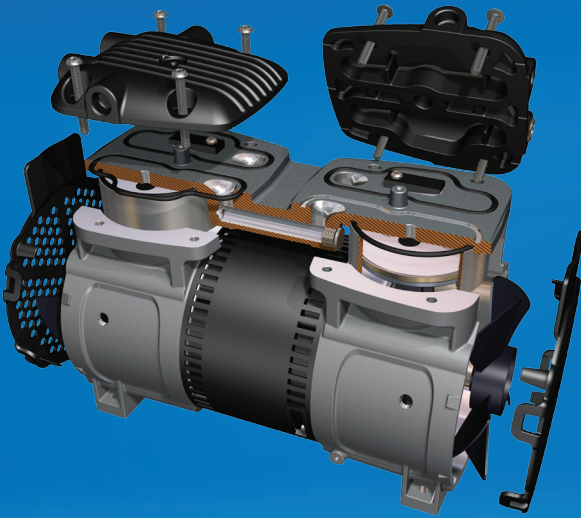
Our new 86/87R Series compressor doesn't just look different. It performs differently too, with a patented sound dampening design that's based on using airflow to dampen sound and optimize pressure, while delivering a wider range of pressure levels for a variety of applications. The result is a compressor that delivers quieter performance, higher pressure, a longer life and greater application flexibility.

- Environmental
- Food and beverage
- General industrial
- Transportation
- Medical
- Laboratory
- Printing and packaging
- Material handling



# Designed to perform. Built to last.

With a dual voltage motor, standard replacement footprint, common port locations, additional side ports and the ability to use in medical/open applications, the 86/87R Series adds up to one of the most versatile compressors on the market. It's also the quietest, with noise levels 5+ dBA lower than previous models.\*



## QUIETER PERFORMANCE

- Patent-pending crossover design
- Patent-pending quiet chamber design
- Twin seals

## HIGHER PRESSURE

- 125 PSIG (8.6 Bar(g)) standard with up to 150 PSIG (10.3 Bar(g))
- 5.3 SCFM (150 SLPM) max airflow
- Rated to 27.5 in. Hg (~85 mBar absolute) vacuum

## VERSATILE DESIGN

- Universal dual voltage motor
- Standard replacement footprint
- Common port location
- Additional port option
- Direct mount option

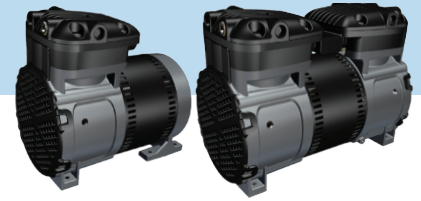
## REGULATORY COMPLIANT

- RoHS compliant
- UL 1450
- UL 60601 compliant for medical applications
- CSA and CE

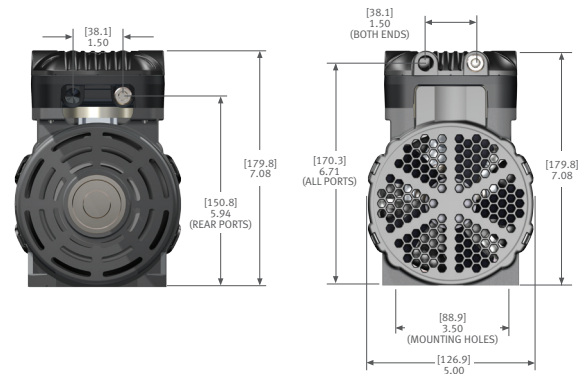
## CUSTOM OPTIONS

- 175 PSIG (12 Bar (g)) staged compressor
- 29.5 in. Hg (~25 mBar absolute) staged vacuum

\*Based on initial tests of the average dBA of the 87R642 (50/60 Hz) and the 82R642 (50/60 Hz)

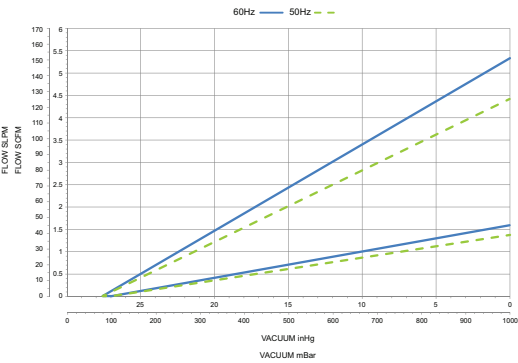


	SINGLE CYLINDER	TWIN CYLINDER
Max PSI	125 PSIG 8.6 Bar(g)	125 PSIG 8.6 Bar(g)
Max Open Flow	2.3 SCFM 65 SLPM	5.3 SCFM 150 SLPM
Weight	12.2/14.9	19.4
Dimensions (in)	7.65 x 5.00 x 7.08	9.54 x 5.00 x 7.08
Dimensions (cm)	194.2 x 126.9 x 179.8	242.3 x 126.9 x 179.8

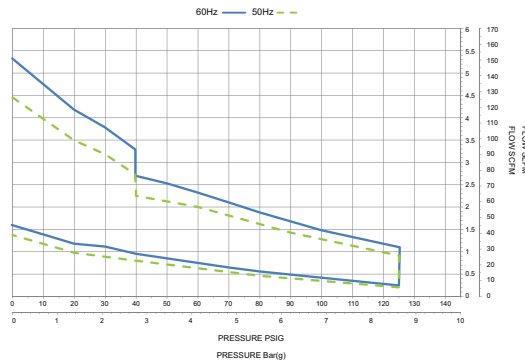


## Gast covers the performance range you need.

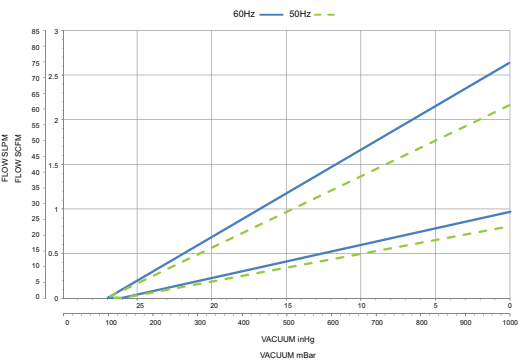
Twin Vacuum



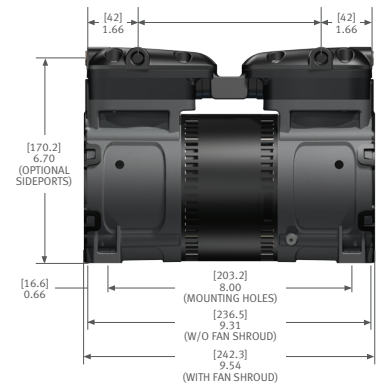
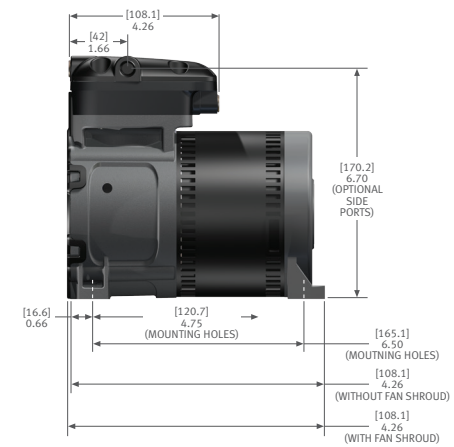
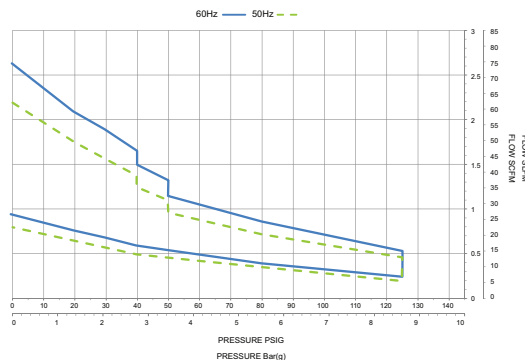
Twin Pressure



Single Vacuum



Single Pressure



**GAST MANUFACTURING, INC.**  
 Post Office Box 97  
 2300 M-139 Highway  
 Benton Harbor, Michigan 49023-0097  
 USA  
 Phone: (+1) 269-926-6171  
 gastmfg.com

**Europe Office**  
 Phone +44 (0)1527-504040  
**Asia Office**  
 Phone +86 21 52415599-303

Have a product or technical question, or need technical information? Contact our technical staff:

Technical Phone: (269) 934-1130  
 E-mail: technical.gast@idexcorp.com  
 Web: gastmfg.com/newsandstandard