



IN LINE DIESEL



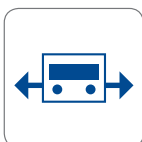
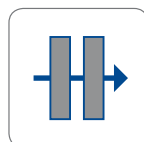
DIESEL



STANDARD



PULSE OUT

OUTLET
POSITIONBRASS
FITTINGSDOUBLE
REED

| FEATURES | DISPLAY | PULSES DISPLAY | REED SWITCH |
|---|---|---|---|
| Measuring system: | Turbine | Turbine | Turbine |
| IP Protection: | IP55 | IP55 | IP55 |
| Power supply: | 2 x 1,5V AAA | 12V DC - 10 mA (yellow +12V, brown 0V) | max 200 Vdc 0,5 A max 140 Vac 0,35 A |
| Pulse signal [imp/out]: | / | 100 | (**) |
| Cable [m]: | / | 2, flame retardant | 2, flame retardant |
| Partial [digits]: | 4 + 2 decimal | 4 + 2 decimal | / |
| Totalizer [digits]: | 6 | 6 | / |
| Unit of measure: | litre, gallons, pints, quarts, customized | / | / |
| Battery level indicator: | Yes | No | No |
| Min flow rate [l/min]: | 10 | 10 | 10 |
| Max flow rate [l/min]: | 150 | 150 | 150 |
| Max pressure [bar/psi]: | 3,5/51 | 3,5/51 | 3,5/51 |
| Precision [%]: | ± 0,5 | ± 0,5 | ± 0,5 |
| Repeatability [%]: | 0,2 | 0,2 | 0,2 |
| Display rotation: | Complete with click every 180° | / | / |
| Inlet/Outlet [BSP/G]: | 1" F | 1" F | 1" F |
| Body material: | PA 66 (Black) | PA 66 (Black) | PA 66 (Black) |
| Turbine material: | POM-C | POM-C | POM-C |
| O-Ring material: | NBR | NBR | NBR |
| Other materials in contact with the fluid | Brass, Steel | Brass, Steel | Brass, Steel |
| Operating Min/Max Temperature [°C]: | -10 / +60 | -10 / +60 | -10 / +60 |
| Allowed fluids: | Diesel | Diesel | Diesel |
| Forbidden fluids: | Gas, Alcohol, Gasoline, Water | | |
| Loudness at less 1 meter [dBA]: | < 70 | < 70 | < 70 |
| Net weight [Kg]: | 0,25 | 0,25 | 0,25 |
| Single size packaging [mm]: | l 145 x b 135 x h 85 | l 145 x b 135 x h 85 | l 145 x b 135 x h 85 |
| Gross weight [Kg]: | 0,35 | 0,35 | 0,35 |

FUNCTIONS:

Resettable partial
Total non-resettable
Resettable totalizer period
Instantaneous flow rate display

Calibration
Showing latest 5 refuelling
Stock display
Low stock alarm

(**) Approximately 38 Imp /out



IN LINE Ad Blue®



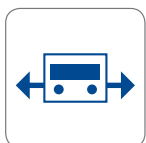
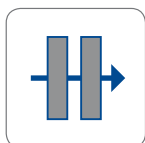
WATER



STANDARD



USCITA PULSES

OUTLET
POSITIONDOUBLE
REED

| FEATURES | DISPLAY | PULSES DISPLAY | REED SWITCH |
|--|---|---|---|
| Measuring system: | Turbine | Turbine | Turbine |
| Protection: | IP55 | IP55 | IP55 |
| Power supply: | 2 x 1,5V AAA | 12V DC - 10 mA (yellow +12V, brown 0V) | max 200 Vdc 0,5 A max 140 Vac 0,35 A |
| Pulse signal [imp/out]: | / | 100 | (**) |
| Cable [m]: | / | 2, flame retardant | 2, flame retardant |
| Partial [digits]: | 4 + 2 decimal | 4 + 2 decimal | / |
| Totalizer [digits]: | 6 | 6 | / |
| Unit of measure: | litre, gallons, pints, quarts, customized | / | / |
| Battery level indicator: | Yes | No | No |
| Min flow rate [l/min]: | 10 | 10 | 10 |
| Nominal Flow Rate [l/min / GPM]: | 150 / 39,63 | 150 / 39,63 | 150 / 39,63 |
| Max pressure [bar/psi]: | 3,5/51 | 3,5/51 | 3,5/51 |
| Precision [%]: | ± 0,5 | ± 0,5 | ± 0,5 |
| Repeatability [%]: | 0,2 | 0,2 | 0,2 |
| Display rotation: | Complete with click every 180° | / | / |
| Inlet/outlet [BSP/G]: | 1" F | 1" F | 1" F |
| Body material | PA 66 (light blue) | PA 66 (light blue) | PA 66 (light blue) |
| Turbine material: | POM-C | POM-C | POM-C |
| O-Ring material: | Viton | Viton | Viton |
| Other materials in contact with the fluid: | AISI 304 | AISI 304 | AISI 304 |
| Operating Min/Max Temperature [°C]: | -10 / +60 | -10 / +60 | -10 / +60 |
| Allowed fluids: | Ad Blue®, AUS 32, Water | Ad Blue®, AUS 32, Water | Ad Blue®, AUS 32, Water |
| Forbidden fluids: | Gas, Alcool, Gasoline, Diesel | Gas, Alcool, Gasoline, Diesel | Gas, Alcool, Gasoline, Diesel |
| Loudness at less 1 meter [dBA]: | < 70 | < 70 | < 70 |
| Net weight [Kg]: | 0,25 | 0,25 | 0,25 |
| Single size packaging [mm]: | l 145 x b 135 x h 85 | l 145 x b 135 x h 85 | l 145 x b 135 x h 85 |
| Gross weight [Kg]: | 0,35 | 0,35 | 0,35 |

FUNCTIONS:

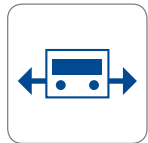
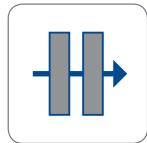
Resettable partial
Non resettable total
Resettable totalizer period
Instantaneous flow rate display

Calibration
Showing latest 5 refuelling
Stock display
Low stock display

(**) Approximately 38 Imp /out



IN LINE FOOD

OUTLET
POSITIONDOUBLE
REED

| FEATURES | DISPLAY | PULSES DISPLAY | REED SWITCH |
|---|---|---|---|
| Measuring system: | Turbine | Turbine | Turbine |
| Protection: | IP55 | IP55 | IP55 |
| Power supply: | 2 x 1,5V AAA | 12V DC - 10 mA (yellow +12V, brown 0V) | max 200 Vdc 0,5 A max 140 Vac 0,35 A |
| Pulse signal [imp/out]: | / | 100 | (**) |
| Cable [m]: | / | 2, flame retardant | 2, flame retardant |
| Partial [digits]: | 4 + 2 decimal | 4 + 2 decimal | / |
| Totalizer [digits]: | 6 | 6 | / |
| Unit of measure:: | litre, gallons, pints, quarts, customized | / | / |
| Battery level indicator: | Yes | No | No |
| Backlite display: | Yes | / | / |
| Min flow rate [l/min]: | 10 | 10 | 10 |
| Nominal Flow Rate [l/min / GPM]: | 150 / 39,63 | 150 / 39,63 | 150 / 39,63 |
| Max pressure [bar/psi]: | 3,5/51 | 3,5/51 | 3,5/51 |
| Precision[%]: | ± 0,5 | ± 0,5 | ± 0,5 |
| Repeatability [%]: | 0,2 | 0,2 | 0,2 |
| Display rotation: | Complete with click every 180° | / | / |
| Inlet/outlet [BSP/G]: | 1" F | 1" F | 1" F |
| Body material: | PA 66 (white) | PA 66 (white) | PA 66 (white) |
| Turbine material: | POM-C | POM-C | POM-C |
| O-Ring material: | Viton | Viton | Viton |
| Other materials in contact with the fluid | AISI 304 | AISI 304 | AISI 304 |
| Operating Min/Max Temperature [°C]: | -10 / +60 | -10 / +60 | -10 / +60 |
| Allowed fluids: | Water, oil, milk | Water, oil, milk | Water, oil, milk |
| Forbidden fluids: | Gas, Alcool, Gasoline, Diesel | Gas, Alcool, Gasoline, Diesel | Gas, Alcool, Gasoline, Diesel |
| Loudness at less 1 meter [dBA]: | < 70 | < 70 | < 70 |
| Net weight [Kg]: | 0,25 | 0,25 | 0,25 |
| Single size packaging [mm]: | l 145 x b 135 x h 85 | l 145 x b 135 x h 85 | l 145 x b 135 x h 85 |
| Gross weight [Kg]: | 0,35 | 0,35 | 0,35 |

FUNCTIONS:

partial resettable
Total non-resettable
totalizer resettable period
instantaneous flow rate display

calibration
Showing latest 5 disbursements
display stock
Alarm low stock

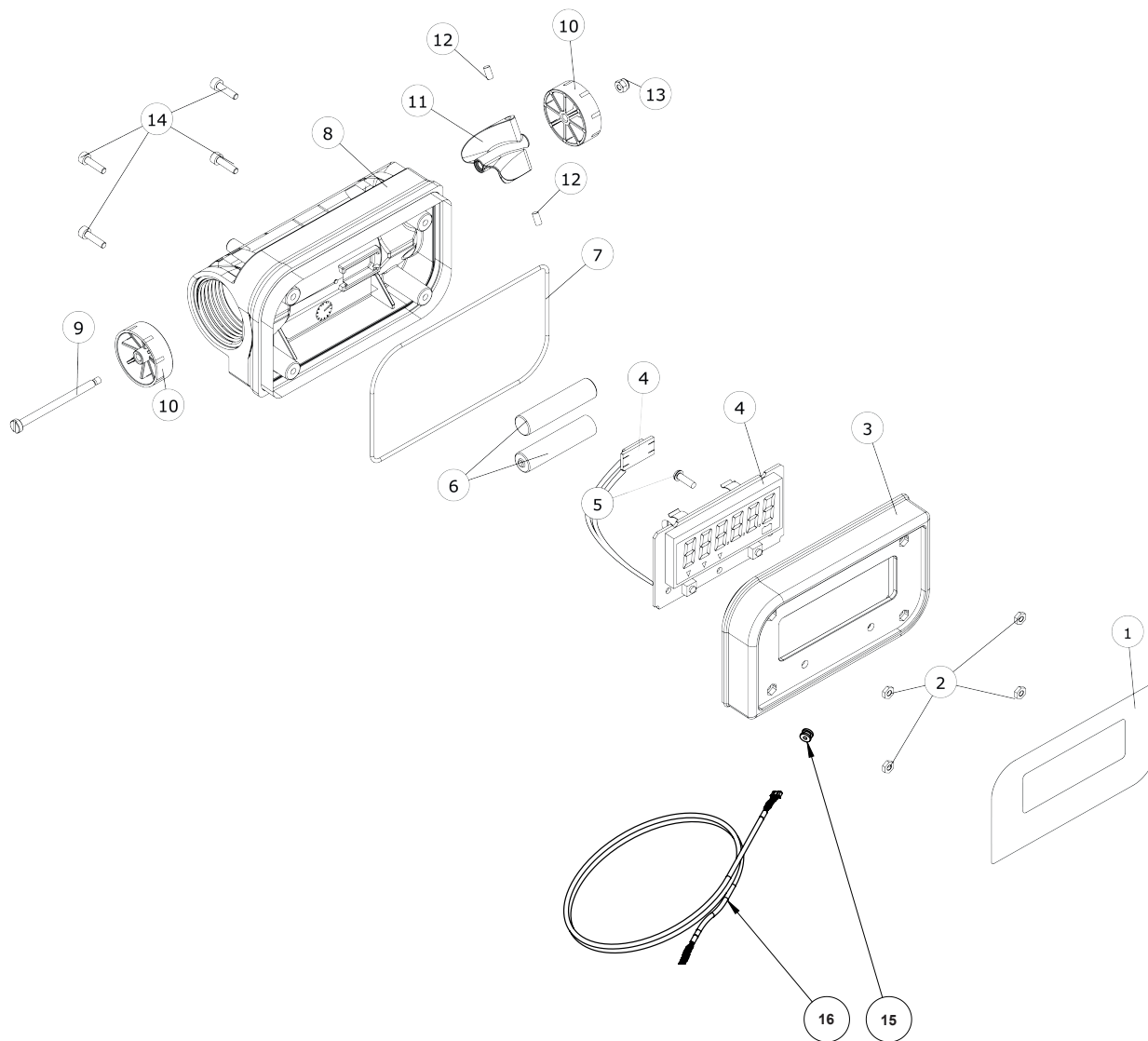
(**)Approximately 38 Imp /out



IN LINE battery - pulse out

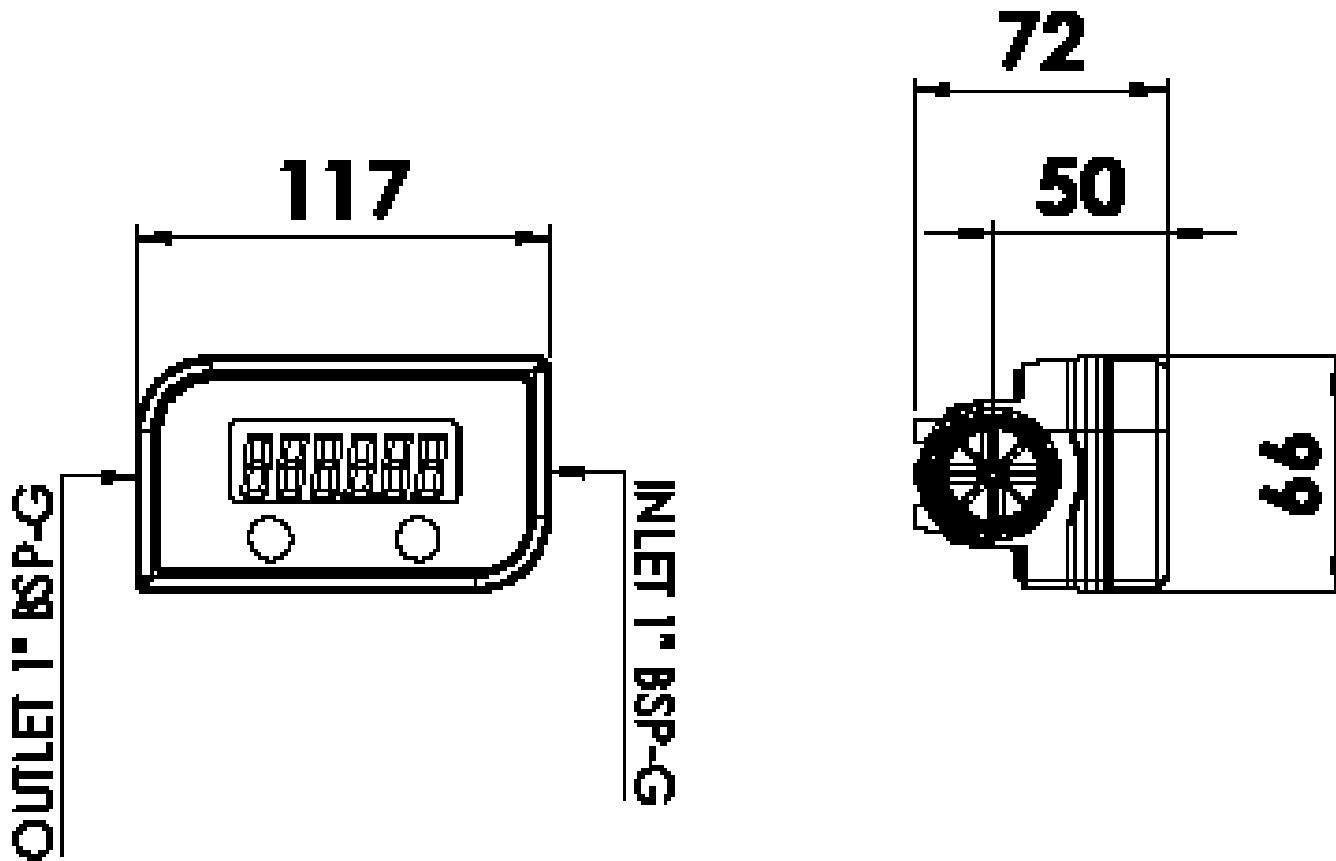
| | CODE | | DESCRIPTION | Q.TY |
|----|-------------|-------------|----------------------|------|
| | BATTERY | PULSE OUT | | |
| 1 | MA031 | MA031 | STICKER WITH BUTTONS | 1 |
| 2 | 81101010000 | 81101010000 | BOLT M3 | 4 |
| 3 | TF035X | TF035X | METER COVER | 1 |
| 4 | TF046 | TF047 | ELECTRONIC PCB | 1 |
| 5 | VT013 | VT013 | SCREWS M3 | 1 |
| 6 | TF048 | - | BATTERY AAA | 2 |
| 7 | OR018 | OR018 | O-RING | 1 |
| 8 | * | * | BODY IN LINE | 1 |
| 9 | TF039 | TF039 | TURBINE SHAFT | 1 |
| 10 | TF038 | TF038 | TURBINE HOLDER | 2 |
| 11 | TF037 | TF037 | TURBINE | 1 |
| 12 | TF040 | TF040 | MAGNET | 2 |
| 13 | VT009 | VT009 | SELF BLOCKING BOLT | 1 |
| 14 | VT012 | VT012 | SCREW M3 X 16 | 4 |
| 15 | - | TF052 | CABLE GLAND | 1 |
| 16 | - | CA012 | CABLE 5 POLES | 1 |

| BODY IN LINE* | CODE |
|-----------------------------|--------|
| BODY IN LINE DIESEL (black) | TF036A |
| BODY IN LINE UREA (blue) | TF042 |
| BODY IN LINE FOOD (white) | TF056 |





In Line



cover bianca: alimenti
white cover: food



cover blu: urea
blue cover: urea



cover nera: gasolio
black cover: diesel

tutte le dimensioni espresse in mm - all dimensions are in mm

