

USER INSTRUCTIONS

# HydroFLOW™

## INDUSTRIAL i RANGE

45i 60i 100i 120i 160i



[www.hydropath.com](http://www.hydropath.com)



# Electrical Specifications

**Input Voltage** 87-240V AC

**Input Frequency** 47-63 Hz

## Material Specifications

Main unit: Anodised Aluminium

End plates: UL V-0 rated polycarbonate

## Water and Dust Protection

IP Rating: IP68 IEC 60529

## Built-in EMI Filter

Meets: FCC 20780 Class B

VDE 0871 Level A

## Safety

Europe and Worldwide:

IEC51010-190+A1:92 +A2:95 ~EN61010

Tested accorded to CENELEC National Requirements

USA: UL3101-1

Canada: CSA22.2 No:1010.1-92

**Over-voltage (Transients)** 10 to 20% above nominal

## Environmental Specifications

Installation category:

Cat II; Altitude: <2000 Mtrs (6562'); Operating Temperature: -20 to + 50° C (-4 to 122°F);

Maximum relative humidity; Max 80% up to 31°C (87° F) decreasing linearly to 50% RH at 40° C (104° F)

**Overload Protection** Continuous short or open circuit on all outputs.

**Insulation** Basic insulation with the metal enclosure bonded to earth.

## Servicing

No user repairable parts are fitted. Repair must be undertaken by an authorised repair centre.

## Panel Indicators

The PSU is fitted with LED indicator lights. The Green LED indicates that the power is on, and the Red indicates that a signal is being transmitted.

### CSA Certification and CB Test Certificate

In accordance with the  
International (IEC) and  
UL/CSA standards listed  
above.



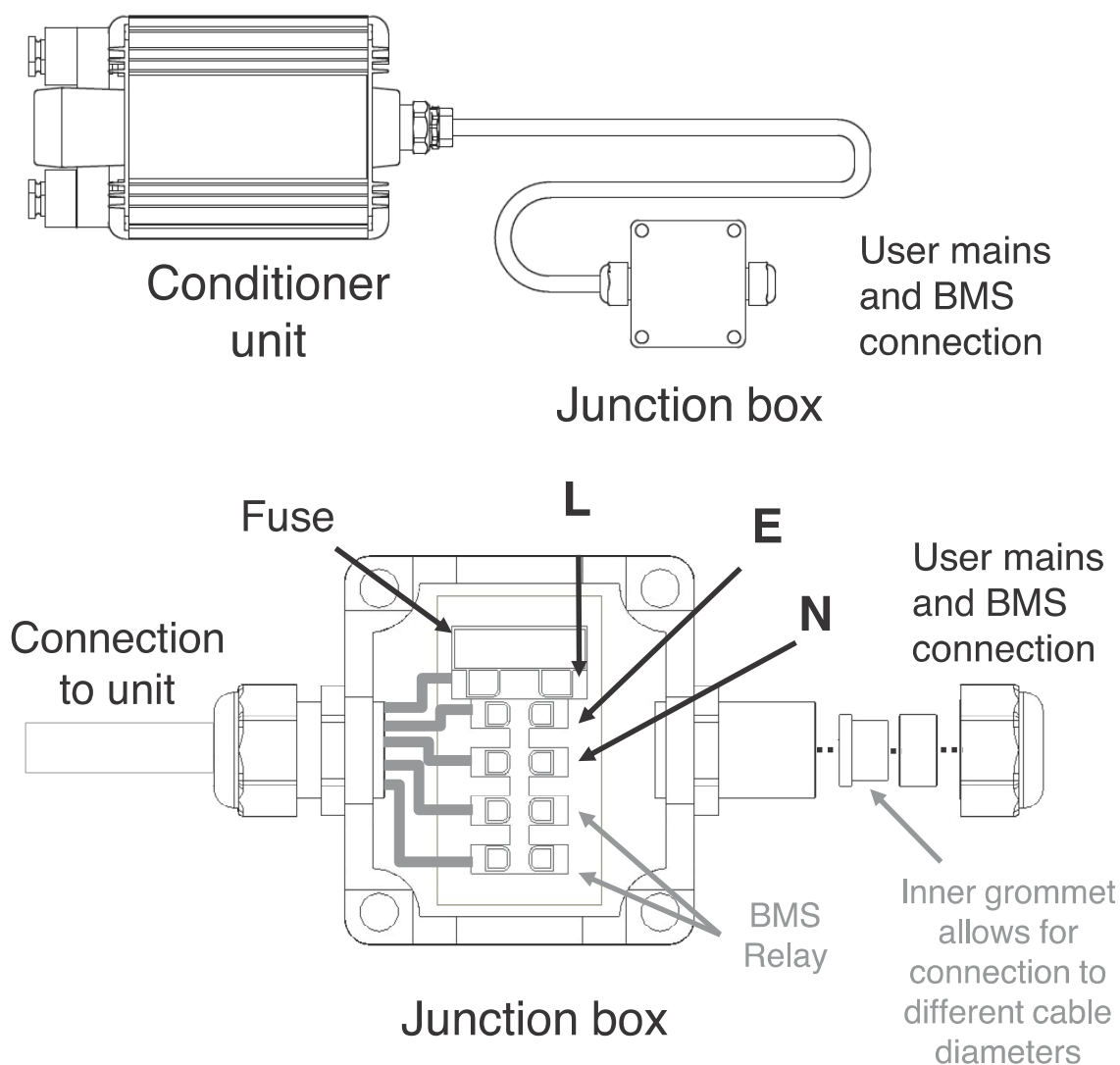
Manufactured to BSEN9002

To be installed in accordance with the  
latest IEE wiring instructions.  
Fuse rating: 1A.



To be installed in accordance with the  
latest IEE wiring instructions.  
Fuse rating: 1A.

# Electrical Specifications



## **Remote Monitoring Facility**

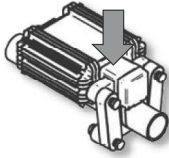
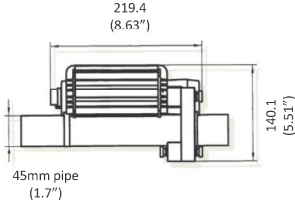
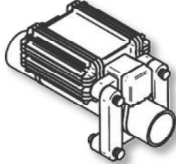
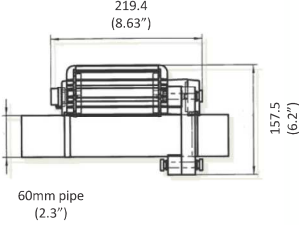
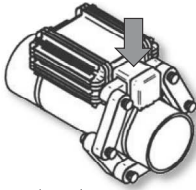
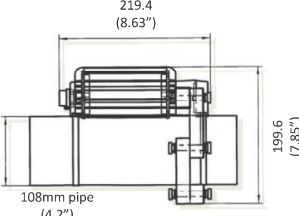
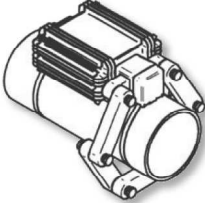
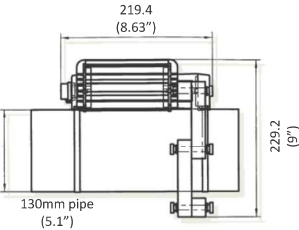
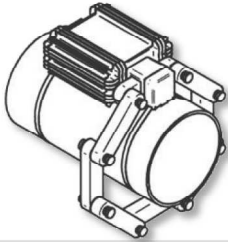
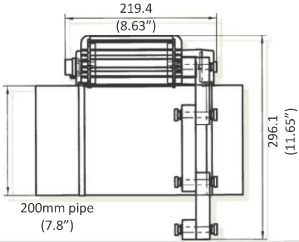
A volt free normally open contact closure is provided by the unit connection with a BMS (Business Management System) computer, to monitor that the unit is operating correctly. Connection to the BMS output is made via the junction box. A suitable 5 core approved cable must be used in order to make connection to the mains input and the BMS output.

## **Electrical Connection**

The user must connect the electrical supply to the junction box in accordance with the on-site ruling safety legislation at the time of installation. This is the sole responsibility of the user and the site safety officer must be consulted before installation is undertaken.

## Mechanical Details

The i Range water conditioner is specifically designed to combat limescale in commercial and/or industrial applications by clustering mineral ions, to enhance filtration by flocculating particles and to eliminate biofouling. i Range units are most commonly used on heat exchangers and plumbing systems.

| Model | Ferrite Arrangement   | Dimensions mm (inches)  | Ferrites                              | Total Weight kg (lbs) |
|-------|---|---|---------------------------------------|-----------------------|
| 45i   |  <p>Arrow indicates longer 126mm ferrite</p>   |  <p>219.4 (8.63")<br/>140.1 (5.51")<br/>45mm pipe (1.7")</p>     | 3 x 109mm (4.25")<br>1 x 126mm (5.0") | 4.0<br>(8.8)          |
| 60i   |   |  <p>219.4 (8.63")<br/>157.5 (6.2")<br/>60mm pipe (2.3")</p>     | 4 x 126mm (5.0")                      | 4.2<br>(9.2)          |
| 100i  |  <p>Arrow indicates longer 126mm ferrite</p> |  <p>219.4 (8.63")<br/>199.6 (7.85")<br/>108mm pipe (4.2")</p>  | 5 x 109mm (4.25")<br>1 x 126mm (5.0") | 4.4<br>(9.7)          |
| 120i  |    |  <p>219.4 (8.63")<br/>239.2 (9")<br/>130mm pipe (5.1")</p>     | 6 x 126mm (5.0")                      | 4.6<br>(10.1)         |
| 160i  |    |  <p>219.4 (8.63")<br/>296.1 (11.65")<br/>200mm pipe (7.8")</p> | 8 x 126mm (5.0")                      | 5.8<br>(12.8)         |

- All units draw less than 1 amp of current at 120V AC
- Listed weights include: Transducer unit, ferrites, cables and mounting hardware.

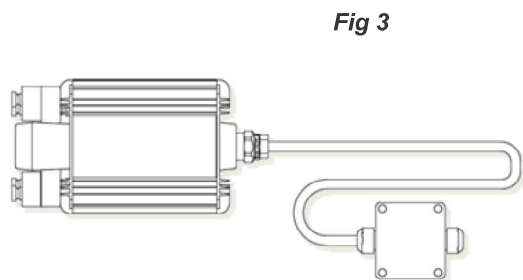
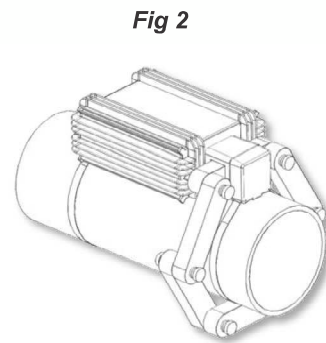
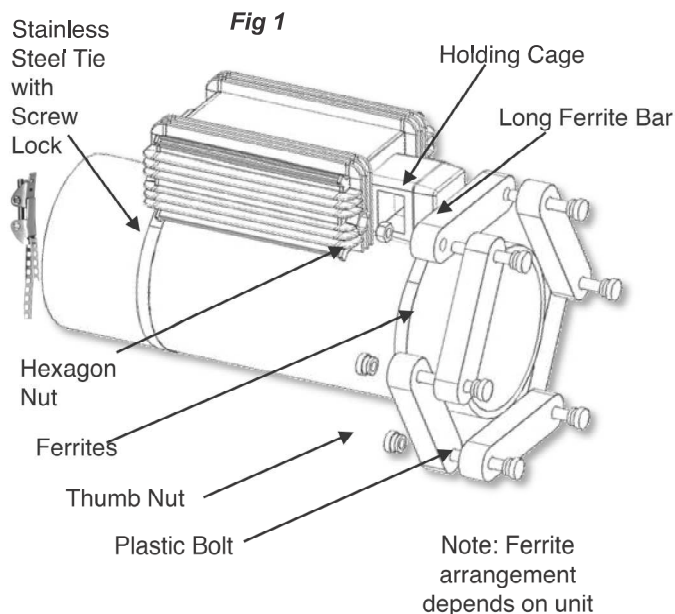
# Assembly

## **DO NOT POWER UP UNIT WITHOUT FERRITES CONNECTED. ALL FERRITES SUPPLIED MUST BE CONNECTED TO TRANSDUCER.**

1. Secure the transducer unit firmly on the pipe using the two steel bands. Pass the bands through the slots in both end caps, pass around the pipe and secure using screw locks (see Fig 1).
2. Insert the two hexagon nuts into the holes in the end plate, next to the ferrite holding cage (see Fig 1). If installing on a vertical pipe, place the unit with the ferrite cage upwards to ease fitting of hexagon nuts.
3. The transducer unit is supplied with at least one **long** ferrite bar. Insert this through the holding cage until the holes line up with the hexagon nuts (see Fig. 1). Take a second ferrite and insert a plastic bolt through the holes in both ferrite bars and loosely screw into hexagon nut. Assemble **all** the other ferrites around the pipe (see Fig. 2) and loosely secure with thumb nuts and bolts, making the final connection into the other hexagon nut. Tighten all nuts and bolts until hand tight. **Do not over tighten as ferrites are fragile.**
4. In accordance with local code and regulations, connect the junction box (Fig 3) to the electrical power supply (87V-240V AC).
5. Energize the electrical power supply and ensure that the Red and Green LED lights on the unit are glowing brightly.

### Remote Monitoring

Remote monitoring is available for use with Business Management Systems (BMS). This is connected via the junction box. For additional information please contact an authorised representative.



#### **WARNING**

The system must be used as specified. Failure to do so will prevent correct operation of device and may impair safety.

## Location Criteria

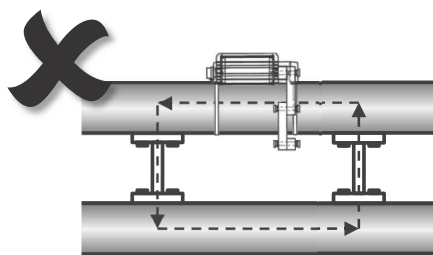
The i Range unit can provide a range of benefits, including protection against limescale, treatment of biofouling, and flocculation of particles. The most effective location for the unit depends on the result desired.

- For protection against Limescale due to heating, the unit should be fitted on the cold feed to where the water is heated.
- For protection against limescale, the unit should be fitted after any pumps or filters as these can degrade the conditioning effect.
- To enhance flocculation or kill bacteria, the ideal location is before the pump feeding a filter.

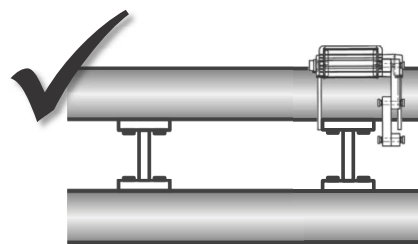
## Electrical Loops

An electrical loop is created whenever an electrical connection is made from one side of the ferrite loop to the other, e.g. by metal supports, wiring or pipework. A loop will prevent the unit from operating correctly.

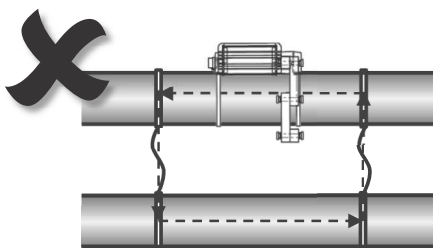
This problem can be solved by moving the unit outside the electrical loop. If this is not possible, the metal support brackets can be electrically insulated. Installing the unit on a section of plastic pipe eliminates the possibility of an electrical loop.



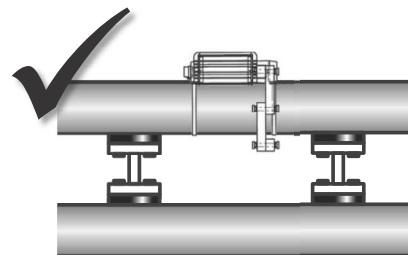
Brackets create loop



Move unit out of loop



Wiring creates loop



Electrically insulate brackets

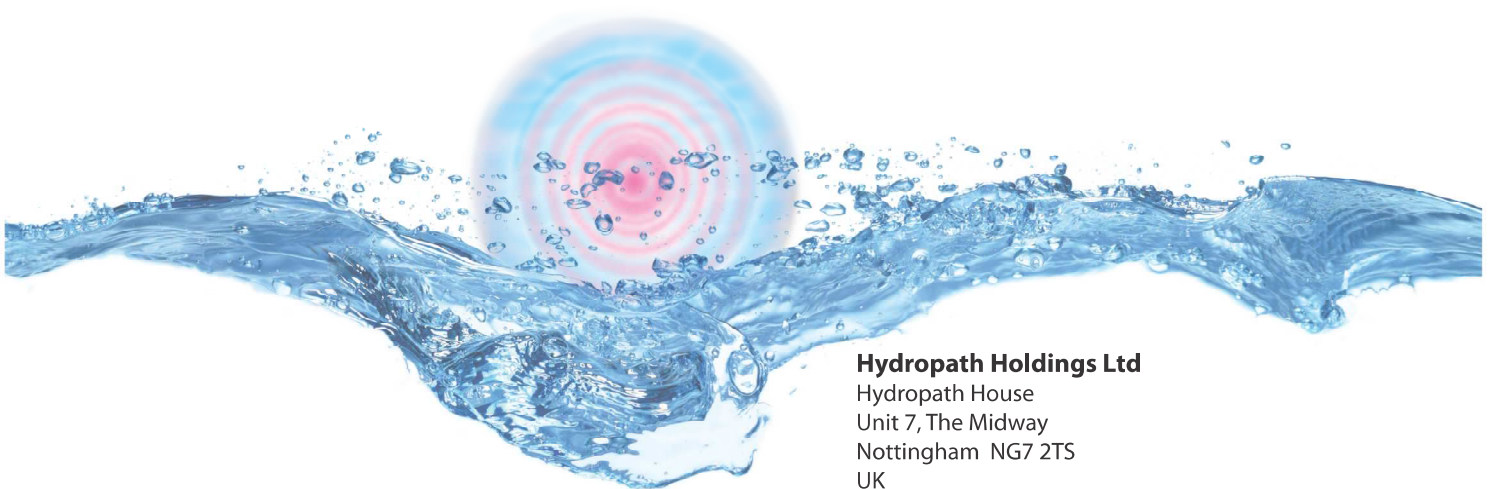
**If you are unsure of any details of fitting or installation, please contact your local Hydropath representative for technical support**

# HYDR FLOW FRANCE

| Model       | Short Ferrite Quantity | Long Ferrite Quantity | Stainless Steel Banding (mm) | Screw Lock | Screw    | Nut      | Thumb Nut |
|-------------|------------------------|-----------------------|------------------------------|------------|----------|----------|-----------|
| <b>45i</b>  | <b>3</b>               | <b>1</b>              | <b>2 x 280</b>               | <b>2</b>   | <b>4</b> | <b>2</b> | <b>2</b>  |
| <b>60i</b>  | -                      | <b>4</b>              | <b>2 x 280</b>               | <b>2</b>   | <b>4</b> | <b>2</b> | <b>2</b>  |
| <b>100i</b> | <b>5</b>               | <b>1</b>              | <b>2 x 470</b>               | <b>2</b>   | <b>6</b> | <b>2</b> | <b>4</b>  |
| <b>120i</b> | -                      | <b>6</b>              | <b>2 x 470</b>               | <b>2</b>   | <b>6</b> | <b>2</b> | <b>4</b>  |
| <b>160i</b> | -                      | <b>8</b>              | <b>2 x 700</b>               | <b>2</b>   | <b>8</b> | <b>2</b> | <b>6</b>  |

The table above indicates the parts included with each i Range Industrial Model. Please refer to the User Instructions for further details on the complete installation process.

| <b>Box Contents List:</b> |  |
|---------------------------|--|
| <b>Transducer (Model)</b> | <b>Ferrites &amp; Fixings (refer to table above)</b> |
| <b>User Instructions</b>  |  |



## **HydroPath Holdings Ltd**

HydroPath House  
Unit 7, The Midway  
Nottingham NG7 2TS  
UK

Tel: +44 (0) 115 986 9966 Fax: +44 (0) 115 986 9944  
www.hydropath.com sales@hydropath.com

**HYDR  PATH**  
www.hydropath.com Specialists in water care technology