

Barriere per bordo laterale su rilevato

Single sided guardrails



steel safety on roadways

Require Marcegaglia Buildtech full range of steel road safety barriers: from the **steel partner**, steel safety on roadways.

Marcegaglia Buildtech safety barriers solutions are part of Marcegaglia steel production chain and are engineered, assembled then **tested** in order to comply with specific **norm requirements**.

Certificazioni

Certifications - Zertifizierungen - Certifications - Certificaciones

- **RINA ISO 9001:2008** certificato N. 12370/05/S
- **IQNet - CISQ/RINA** Quality Management System **ISO 9001:2008** Registration N. IT-42009
- **Certificati CE** di costanza della prestazione

Crash tests

Crash tests - Crash-Tests - Essais de chocs - Crash tests



Classe H2 Bordo Laterale - Barriera 3 onde singola su rilevato W4

Class H2 Roadside - 3-waves single sided guardrail W4

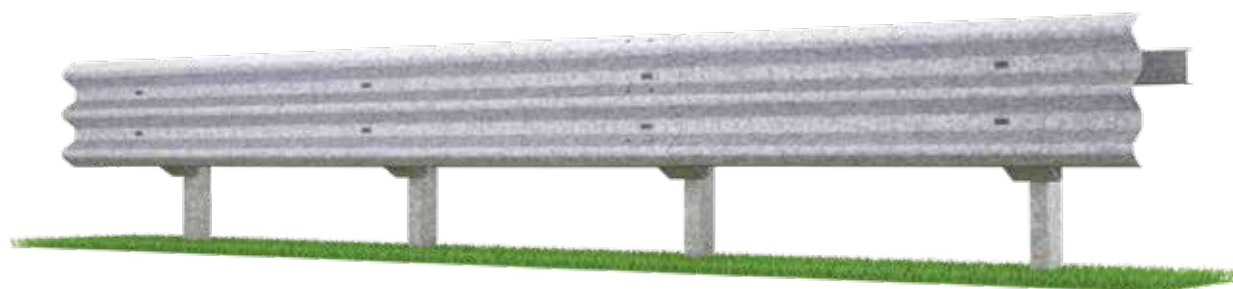
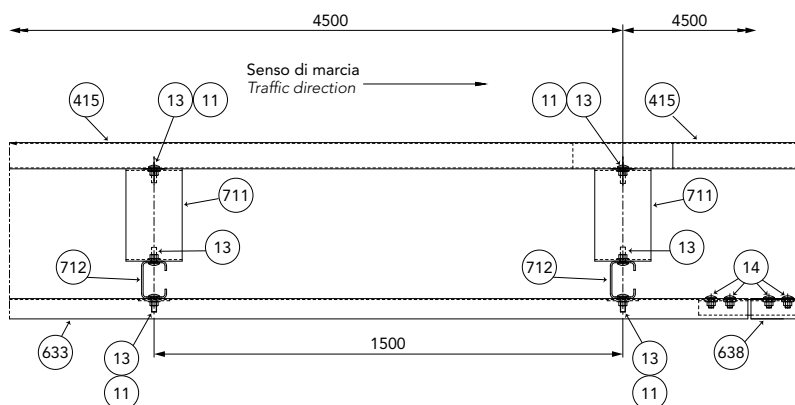
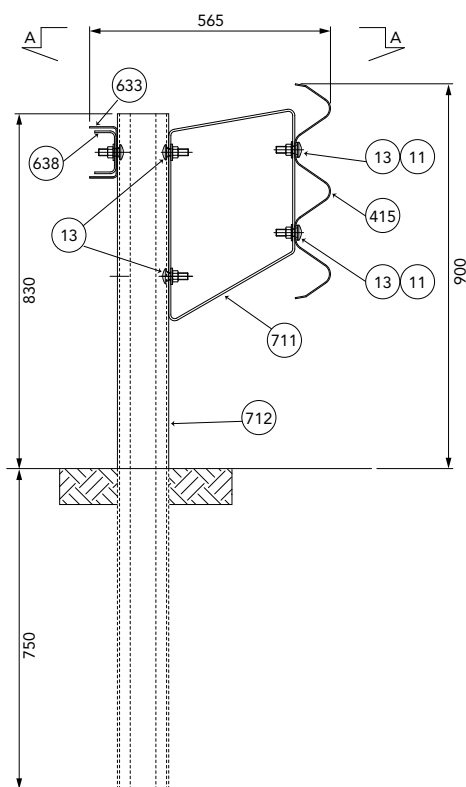
Aufhaltestufe H2 für rammfähige Böden - 3-welliges Rückhaltesystem W4

Classe H2 Bord latéral - Glissière 3 crosses simple sur remblai W4

Clase H2 Borde lateral - Barrera de triple onda simple sobre base terreno W4

H2-W4

3-waves



Caratteristiche Characteristics, Eigenschaften, Caractéristiques, Características

Altezza fuori terra Height above ground level, Höhe über Grundboden, Hauteur hors sol, Altura sobre el suelo	900 mm
Profondità d'infissione Depth of penetration, Rammtiefe, Profondeur de piling du poteau, Longitud hincada	750 mm
Ingombro trasversale Overall width, Gesamtbreite, Grosseur hors tout, Anchura total	565 mm
Interasse pali Post spacing, Steherabstand, Distance entre poteaux, Distancia entre postes	1500 mm

Rapporti di prova Crash test reports, Testberichte, Comptes rendus d'essais, Relaciones de pruebas

Test n.	Facility	Test	Type	Barrier length m	Mass kg	Speed km/h	ASI max 1.4	THIV max 33 km/h	D m	Vi m	W m
PROVA 511	Aisico	TB51	Laterale 20°	98	13.000	70	-	-	1,1	1,2	1,3=W4
PROVA 411	Aisico	TB11	Laterale 20°	98	900	100	0,9=A	24	0,5	-	0,8=W2

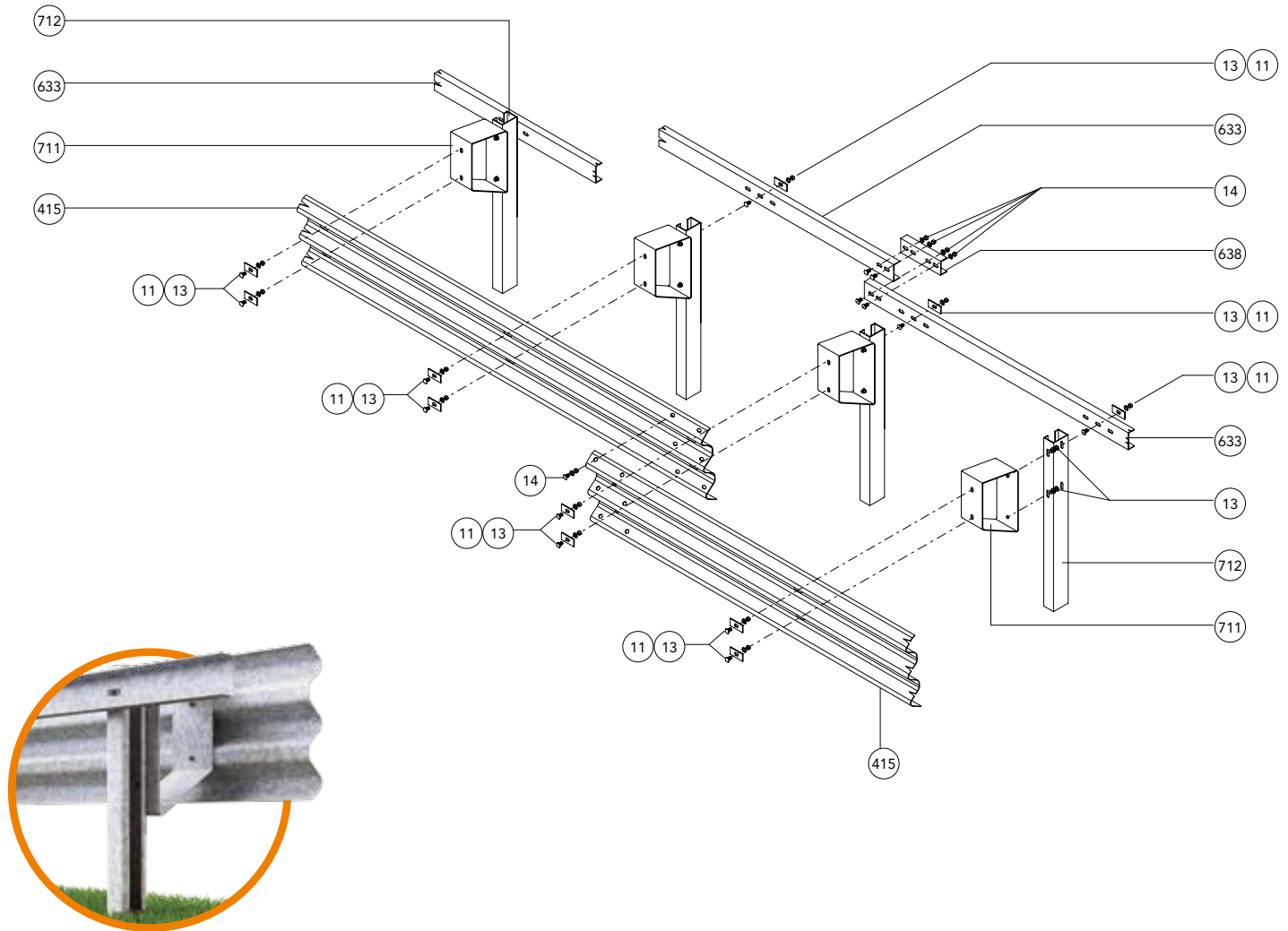
Sales office:

MARCEGAGLIA BUILDTECH guardrail division
 strada Roveri, 4
 15068 Pozzolo Formigaro, Alessandria - Italy
 phone +39 . 0143 77 61 • fax +39 . 0143 77 63 53

guardrail@marcegaglia.com
 www.marcegagliabuildtech.it

Plants:

MARCEGAGLIA BUILDTECH Pozzolo Formigaro
 strada Roveri, 4
 15068 Pozzolo Formigaro, Alessandria - Italy
 phone +39 . 0143 77 61 • fax +39 . 0143 77 63 53



Componenti Components, Bauteile, Composants, Elementos

Descrizione Description		Materiale Material
13	Bullone completo Bolt with nut and washer, Schraube komplett, Boulon complet, Tornillo completo con tuerca y arandela	M16x50 mm Classe 8.8
14		M16x30 mm Classe 8.8
11	Piastrina copriasola Slot covering plate, Lochabdeckplatte, Plaque de couverture fente, Placa cubre-ranura	100x40x4 mm S 275 JR
638	Manicotto di giunzione per corrente Coupling box rear reinforcement, Verbindungsmuffe für Längsträger, Jonction poutre, Conector	S 235 JR
711	Distanziatore romboidale Rhomboidal spacer, Rhomboidisch. Abstandhalter, Entretoise en losange, Separador romboidal	Th= 5 mm S 235 JR
633	Corrente "U" U-rear reinforcement, U-Längsträger, Poutre en U, Larguero "U"	120x65 Th=3 mm L=4490 (1500x3) mm S 235 JR
712	Palo "C" C-post, C-Steher, Poteau en C, Poste "C"	120x80x30 Th=5 H=1580 mm S 235 JR
415	Fascia 3 onde 3-waves beam, 3-wellige Leitschiene, Glissière 3 crosses, Banda triple onda	L=4816 (1500x3) Th=2,5 mm S 235 JR