

## FERRARA 900 LED

FERRARA 900 LED Lichtpoller  
12.71522.0V001 1X LED E27

Illuminating bollard FERRARA 900  
Housing made of aluminium  
Cover of polyacrylic glass (PMMA) with frosted surface  
Elec. equip.: 1xE27 socket for LED lamp (220-240V/50-60Hz)  
Without lamp (Type P 40, max. 7W)  
Ingress protection IP54, protection rating I  
Total height 900 mm  
With flange plate 210 x 210 x 12 mm  
Connection: 3 x 2,5 mm<sup>2</sup> terminal in the base of the bollard  
Colour: DB 703

### Technical values

Wind catching surface	0,135 m <sup>2</sup>
ULOR	70%
IK-Code	IK03
Ingress protection	IP54

CE

### Advantages

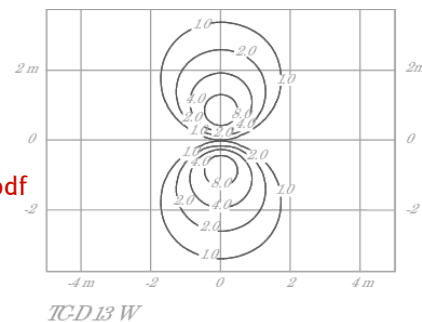
- High-quality aluminium luminaire body
- Simple, modern design
- The FERRARA product family makes integrated lighting solutions possible

### Downloads

Drawings:	<a href="#">Ferrara_LP900-500.png</a>
Installation instructions:	<a href="#">HessMA_FERRARA_CASSINO_LED.pdf</a>
IK test certificate:	<a href="#">Hess IK Ferrara 900 500 LP BABL WABL DABL PMMA satine 050508.pdf</a>
Photometric data:	<a href="#">FERRARA_illuminating_bollard.zip</a>

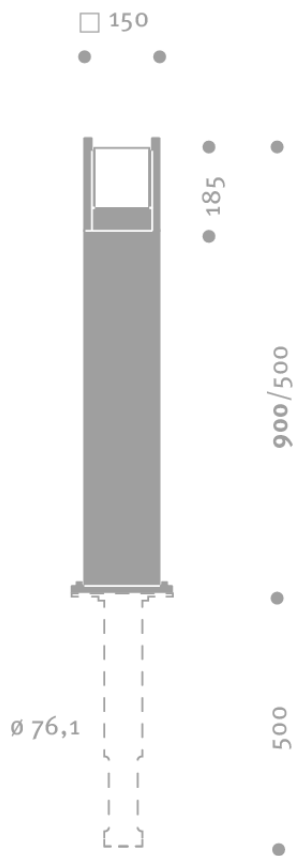


### Photometric reports



## FERRARA 900 LED

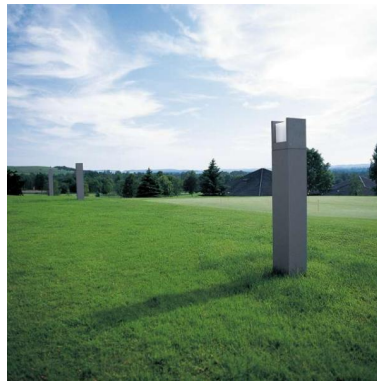
### Drawings



### Projects



Golfhotel Öschberghof  
DE - Donaueschingen



Golfhotel Öschberghof  
DE - Donaueschingen