



FORMULA M

Strong reliability,
smart functionality.





Formula M

When long-standing experience meets technological improvement.
Taking advantage everyday, your FORMULA M will grant top performances.

Easy to use, reliable, efficient: FORMULA M is simply about that. Evolved to tackle the toughest industrial jobs, this air compressor results in cost savings and high performances.

Our famous user friendliness

Thanks to an intuitive control panel, you have a clear overview of all key parameters and system menus – so in a few touches you can easily drive your FORMULA M.

Besides, all the maintenance components like air, oil filters and belts are ideally positioned to enable an ultimately fast and secure maintenance.

Dedicated service kits support reliable and efficient operation and include all original parts in one single package. ABAC provides you with a simple solution based on the running hours of your compressor. All parts easy at hand while providing highest protection of your investment!

Simple installation and easy to use

- Plug-and-play
- Compact design = small footprint
- Plug-and-play integrated dryer
- Integrated WSD and post filter as option
- Easy and fully protected transport
- No special foundation needed
- Controller with integrated connectivity (Touchscreen controller option), easy overview of status on your phone

Reliable quality (gear vs. belt)

- Highly reliable gear transmissions, for a quiet and trouble-free operation
- High capacity oil/air coolers, perfect air filtration and cooling guarantee less thermal shocks and a longer lifetime.
- High quality and heavy duty motors with IP55 protection class
- IP54 electrical cubicle
- Internal and external protection for the electric fan

Easy to service

- All service components are located at the front of the machine for excellent accessibility, you just have to open the frontal door for an easy access for service or cleaning, easy access of the coolers, oil filter, separator and air filter replacements.
- Oil-level eye at the front
- Easy and quick check thanks to service door and controller
- Service and cleaning is a one person job

Increase your productivity and reduce your risk of downtime

- Fast and simple service. Minimum service required during lifetime, only consumables.
- No need for belt tensioning thanks to gear driven transmission. Saving on time, reduce risk for errors and belt misalignment and service costs

Saving on your costs

- 3% savings vs. traditional belt drive transmissions
- IE3 motors as standard for Fixed Speed and Variable Speed units
- Variable speed versions (30% savings)

FORMULA M

Controller and Connectivity

- User friendliness
 - Simplified display
 - Touch sliders next to the screen (Infologic² S) or full touch screen (Airlogic² T)
 - 2" Infologic² S or 4" Airlogic² T display
- Full control
 - Protect the machine with sensors, algorithms
 - Clear overview on machine parameters
- Remote monitoring
- Visualization service intervals
- Connectivity through ICONS pre-activated
- Optional ECO6i
- ICONS license is pre-activated in the factory
- Standard license: monthly update and service time



Icons	Icons Right Time	Icons Up Time	Icons Energy
Online service schedule	●	●	●
Event notification	Service event, failure	Service event, failure details, warning details	Service event, failure details, warning details
Online service proposal	●	●	●
Monthly service overview	●	●	●
Monthly energy analysis			●
Website KPI dashboards	Service	Service & availability	Service, availability, usage performance
Price	Free	€	€ €



FORMULA M

Air compression system with high quality components



FORMULA ME/MEI 30 - ME/MEI 37 - ME/MEI 45 = 1.384 m²



FORMULA M/MI 30 - M/MI 37 - M/MI 45 = 0.998 m²

Fixed speed



Model	Part number	Bar	l/min	kW	HP	dB(A)	L x W x H (mm)	Kg	BSP
Formula M 30	4152034924	7,5	5130	30	40	72	1330x830x1555	589	1 1/4"
	4152034925	8,5	5130						
	4152034926	10	4560						
	4152034927	13	4020						
FORMULA M 37	4152034928	7,5	6600	37	50	73	1330x830x1555	610	1 1/4"
	4152034929	8,5	6090						
	4152034930	10	5700						
	4152034931	13	5160						
Formula M 45	4152034932	7,5	7560	45	60	75	1330x830x1555	629	1 1/4"
	4152034933	8,5	7260						
	4152034934	10	6600						
	4152034935	13	5820						

Variable Speed



Type	Part number	Bar	Min l/min	Max l/min	kW	HP	dB(A)	L x W x H (mm)	Kg	BSP
FORMULA MI 30	4152034936	10	1788	4566	30	40	72	1330x830x1555	605	1 1/4"
	4152034939	13	2232	3750						
FORMULA MI 37	4152034937	10	2280	5550	37	50	73	1330x830x1555	626	1 1/4"
	4152034940	13	2080	4542						
FORMULA MI 45	4152034938	10	2256	6732	45	60	75	1330x830x1555	656	1 1/4"
	4152034941	13	2184	5580						

Fixed speed

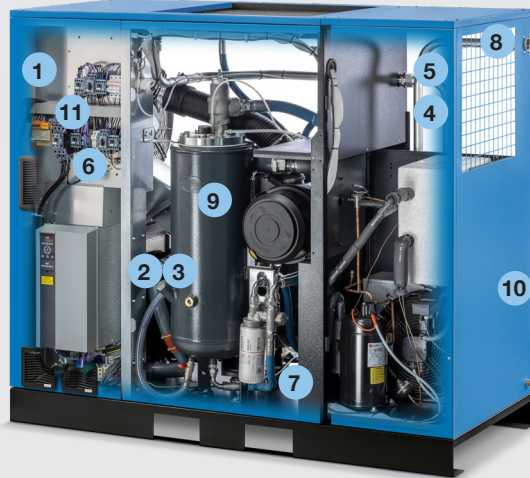


Model	Part number	Bar	l/min	kW	HP	dB(A)	L x W x H (mm)	Kg	BSP
Formula ME 30	4152034954	7,5	5130	30	40	72	1330x830x1555	707	1 1/4"
	4152034955	8,5	5130						
	4152034956	10	4560						
	4152034957	13	4020						
FORMULA ME 37	4152034958	7,5	6600	37	50	73	1330x830x1555	728	1 1/4"
	4152034959	8,5	6090						
	4152034960	10	5700						
	4152034961	13	5160						
Formula ME 45	4152034962	7,5	7560	45	60	75	1330x830x1555	747	1 1/4"
	4152034963	8,5	7260						
	4152034964	10	6600						
	4152034965	13	5820						

Variable Speed

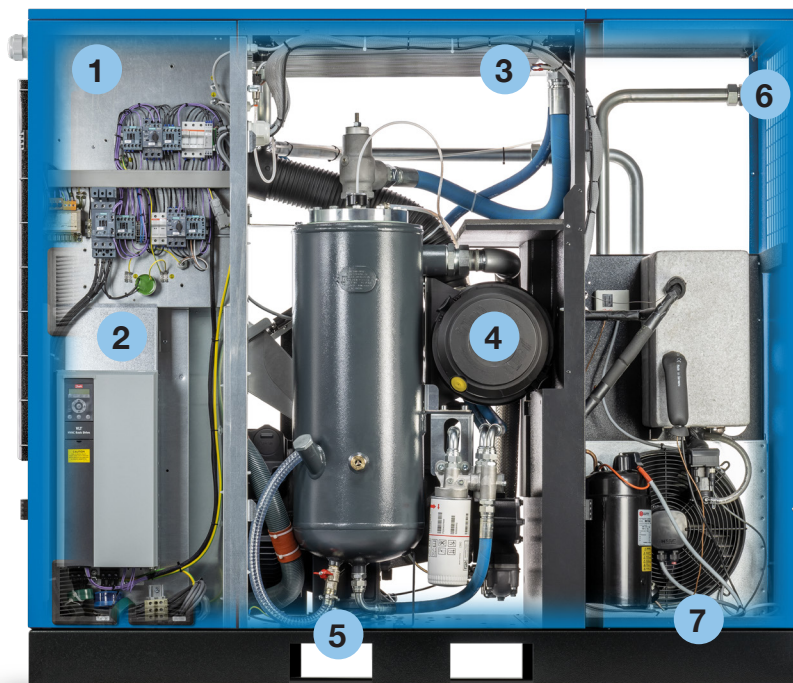


Type	Part number	Bar	Min l/min	Max l/min	kW	HP	dB(A)	L x W x H (mm)	Kg	BSP
FORMULA MEI 30	4152034966	10	1788	4566	30	40	72	1330x830x1555	723	1 1/4"
	4152034967	13	2232	3750						
FORMULA MEI 37	4152034968	10	2280	5550	37	50	73	1330x830x1555	744	1 1/4"
	4152034969	13	2080	4542						
FORMULA MEI 45	4152034970	10	2256	6732	45	60	75	1330x830x1555	774	1 1/4"
	4152034971	13	2184	5580						



Optional Equipment

1. Airlogic² T
2. 8000h oil
3. Foodgrade oil
4. WSD
5. WSD + Electronic Drain
6. Main Switch
7. Canopy heater
8. Coalescent G post filter
9. Special approval on separation vessel
10. Wooden crate packaging
11. ECO6i + Airlogic² T



1. High quality

Electrical components

2. Electric cubicle IP54

Inverter

3. Special protection for wires

4. Heavy duty

Encapsulated filter

5. Reliable Separation System

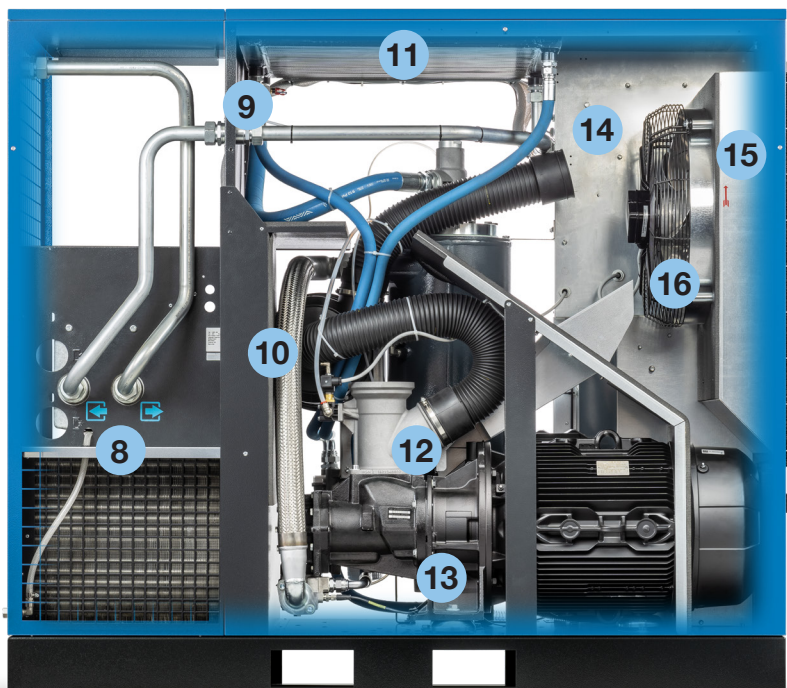
OCO < 3 mg/m³

Easy access to fill/drain oil and sight glass

6. Outlet on the side Rigid pipe connection

7. Rotary type refrigerant compressor

Environment friendly Gas



8. Integrated dryer

Compact integration

9. Pressure sensor

10. Steel armoured

Outlet pipe

11. Horizontal air-oil cooler

Large surface

12. Unloader valve

Vacuum type

13. Gear transmission service free

14. Air inlet from cold area

15. Inlet filtration panel

16. Axial fan

Independent motor IP54



ABAC Air Compressors S.p.A.
Via CRISTOFORO COLOMBO, 3 - 10070 ROBASSOMERO
TORINO - ITALY
TEL. +39 011 9246415-421
WWW.ABACAIRCOMPRESSORS.COM

©ABAC 2020
THE CONTENTS OF THIS PUBLICATION ARE THE COPYRIGHT OF THE PUBLISHER AND MAY NOT BE REPRODUCED (EVEN EXTRACTS) UNLESS PRIOR WRITTEN PERMISSION IS GRANTED. EVERY CARE HAS BEEN TAKEN TO ENSURE THE ACCURACY OF THE INFORMATION CONTAINED IN THIS PUBLICATION BUT NO LIABILITY CAN BE ACCEPTED FOR ANY LOSS OR DAMAGE WHETHER DIRECT, INDIRECT OR CONSEQUENTIAL ARISING OUT OF THE USE OF THE INFORMATION CONTAINED HEREIN.

