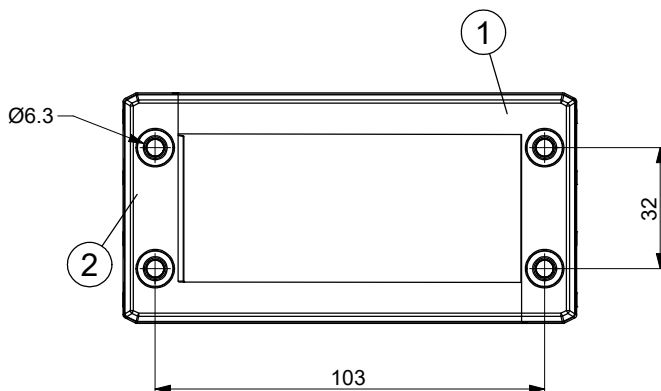
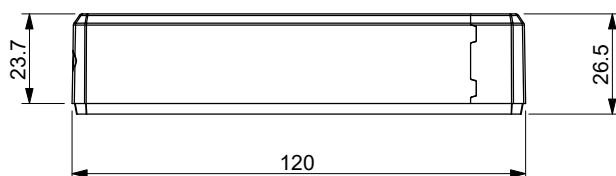
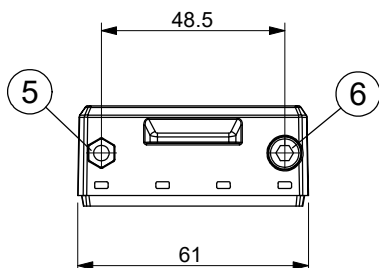
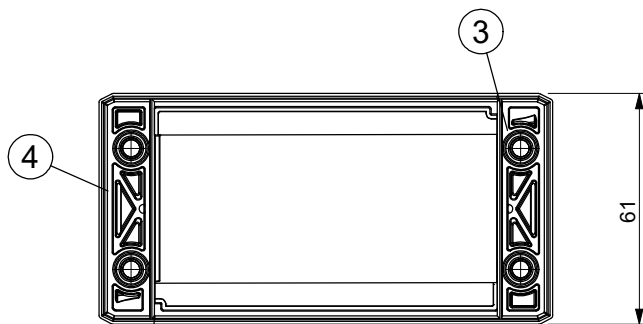
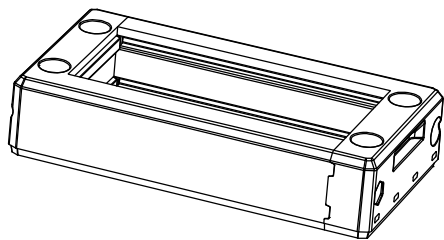


A

B

C

D

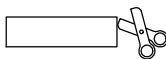


Id	Description	Material	Q.ty
1	DES 16 Top	PP + GF	1
2	DES 16 Bottom	PP + GF	1
3	DES 16 TPE Top	TPE	1
4	DES 16 TPE Bottom	TPE	1
5	DES Nut	SS304	2
6	DES Screw 114	SS304	2

		up to NEMA 4X							
--	--	---------------------	--	--	--	--	--	--	--

Flammability: UL94-V0, self-extinguishing
Temperature: -40°C ... +155°C
Properties: halogen-free, silicone-free

Recommended cut-out:
86 x 39 mm



Codice / Code 1731010016			Descrizione / Description DES 16				Rev. 003
Materiale / Material -	Colore / Color Black	Peso / Weight (g) -	Unità di misura / Measure units mm	Formato / Format A4	Scala / Scale 1:2		
 www.detasultra.com			Data / Date 02/03/2020	Numero foglio / Sheet number -	Numero progetto / Project number -		
			Disegn. / Drawn ravezzano@detas.com	Note / Notes -			

A

B

C

D