

# 906H, 907H, 908H

## Compact Wheel Loaders



	906H	907H	908H
Engine Model	3044C DIT	3044C DIT	3044C DIT
Net Power (ISO 9249)	51 kW (69 hp)	51 kW (69 hp)	58 kW (79 hp)
Operating Weight	5630 kg	5810 kg	6465 kg
Bucket Capacity	0.9 m <sup>3</sup>	1.0 m <sup>3</sup>	1.1 m <sup>3</sup>

# Caterpillar® H Series Compact Wheel Loader

*Performance & Versatility from Caterpillar Compact Products.*

---

## Ease of Operation

Simple controls and ergonomically designed low effort joysticks reduce fatigue and increase comfort. With a choice of three cab options the operator is guaranteed all day comfort to enhance jobsite productivity. **pg. 5**

---

## Z-Bar Linkage

High performance Z-Bar loader linkage designed for strength, visibility and versatile attachment usage. Skid steer or horizontal pin quick coupler allow for rapid work tool changes. **pg. 6**

---

## Power Train

The hydrostatic driveline developed with advanced computer simulations, offers two speeds as standard. The optional speeder transmission provides a maximum speed of 35 km/h. Heavy duty axles are fitted as standard. 100% diff lock and ride control options are available. **pg. 8**

---

## Caterpillar Work Tools

Standard and high flow hydraulics, with a choice of couplers allows the Caterpillar Compact Wheel Loaders to use a variety of work tools, even those that are commonly associated with Caterpillar Skid Steer Loaders. **pg. 7**

*The new H-Series Compact Wheel Loaders still maintain Caterpillar's strengths whilst boasting a whole new range of features and benefits. In short, a machine that can be trusted to perform.*



---

### Reliability and Durability

The same standards and quality components used in large Caterpillar Wheel Loaders are applied to the H-Series Compact Wheel Loaders. These machines are all you expect from Cat... but in a smaller package. **pg. 9**

---

### Serviceability

The design of the H-Series Compact Wheel Loader allows quick and easy servicing. Tilt-up engine hood and side service doors give exceptional access to the major components. S•O•S<sup>SM</sup> oil ports and pressure test points enable easy preventative maintenance. **pg. 10**

---

### Customer Support

Caterpillar dealers offer unmatched customer support, excellent warranty programs and fast parts availability, resulting in maximum uptime and minimum repair costs. **pg. 11**



---

## Compact Wheel Loader H-Series Range

*A comprehensive range to suit all applications and environments.*

---

**906H.** This low cab machine provides access to more areas on site. It is designed with simplicity and cost effectiveness in mind. This model offers great operating capacity and hydraulic flows to work in a wide range of applications.



---

**907H.** With more operating capacity than the 906H and a higher mounted cab this model can work in applications where clearance is not critical.



---

**908H.** Boasts higher operating capacity, engine horse power, powerful breakout forces, increased axle durability and hydraulic flow allowing it to operate in tougher conditions.



## Operator Station

*Modern interior, high quality, with an instinctive design.*



**Excellent Visibility.** The loader arms have been specifically designed with visibility to work tools in mind. Low level glazing and fully glazed doors gives excellent visibility to the work site.

**Cab Comfort.** The heating and air conditioning system means that a comfortable operating environment can be maintained. All cabs are pre-wired, making it easier to install future options.

**Digital LED Display.** All models feature a high contrast backlit single point machine status cluster, located conveniently within the operator's line of sight.

**Low Effort Controls.** With a choice of pilot hydraulics designed to make light work of using Cat work tools, or the smooth mechanical controls, you can be assured operator fatigue will be kept at a minimum.

**Multi Functional Joystick.** Contains FNR (Forward, Neutral, Reverse), travel speed, 3rd Auxilliary hydraulics, diff lock and constant flow controls.

**Cab Options.** With a variety of options it is easy to customize the cab to your requirements. A choice of base, comfort and deluxe specification cab trims are available. See pg. 13 for available cab features.



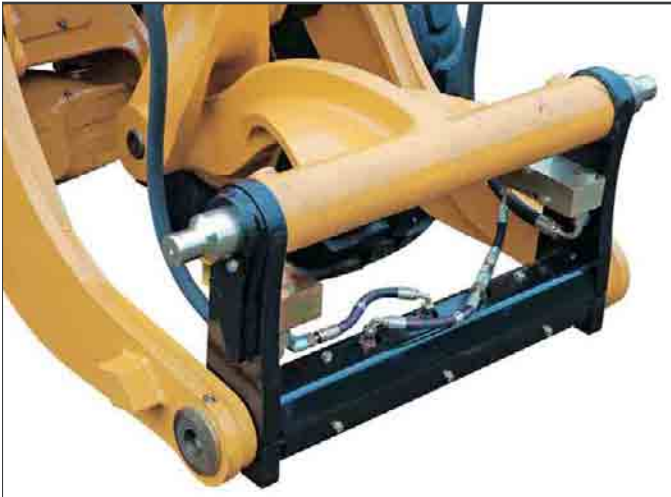
## Z-Bar Loader Linkage and Couplers

*The ideal linkage system for Compact Wheel Loaders for excellent visibility.  
Provides optimal digging forces combined with parallel lift.*



**Z-Bar Design.** Each of the Caterpillar Compact Wheel Loaders make use of the high performance Z-bar loader design which has been optimized for strength, visibility and versatile attachment usage.

The Z-bar linkage gives the operator a clear view to the work tool and excellent dump clearance while maintaining good cycle times and parallel lift.



**Horizontal Pin Coupler.** This quick coupler will pick up the new range of Compact Wheel Loader work tools. The coupler along with the profiled loader arms have been designed to give maximum visibility to the work tool.

A simple joystick function allows for easy engagement and disengagement of the locking pins.



**Skid Steer Loader Coupler.** The universal skid steer loader coupler allows the use of many Cat Skid Steer Loader work tools. Using either the standard or high flow hydraulic option, this coupler allows the H-Series Compact Wheel Loaders to integrate into a skid steer loader fleet.

## Work Tools

*Caterpillar's range of buckets, forks and hydraulically powered Work Tools optimize machine performance.*

**Caterpillar Offers a Wide Range of Work Tools.** To maximize machine utilization, Cat work tools are designed to get the best out of the machine and deliver excellent value through high productivity and long life.

The new H-Series Compact Wheel Loaders can now pick up even more work tools with the addition of a choice of couplers.

**Cat Horizontal Pin Coupler Work Tools.** The Caterpillar Compact Wheel Loader offers a comprehensive range of buckets to suit any environment and specific customer needs. The buckets have been engineered and designed to allow the operator to gain maximum efficiency.

The Caterpillar fork carriage has been designed to increase visibility to the forks, allowing the operator to work much more efficiently and safely, without compromising durability. Various fork tine lengths are available.

**Cat Skid Steer Loader Coupler Work Tools.** This coupler allows the use of Cat skid steer loader work tools.

Caterpillar recommends the following options when choosing the Cat skid steer loader coupler:

- Return to dig work tool positioner
- Work tool wiring harness
- Transmission control upgrade
- High flow auxiliary hydraulics for high flow work tools

### **Auxiliary Lines and Connectors.**

The auxiliary lines and connectors are fitted as standard, meaning the Caterpillar Compact Wheel Loader comes ready to work.

For a complete list of available work tools please consult your local Caterpillar dealer.



## Power Train

*Caterpillar Hystat power train delivers aggressive performance.*



**Two Speed Options.** Caterpillar's hydrostatic driveline has two speed options, 20 or 35 km/h. High speed roading is achieved using an optional two-speed gearbox. Both options feature smooth inching as standard, with optional speed/rimpull control and hand throttle.

**Disc Brakes.** The speeder version has hydraulically boosted oil immersed disc brakes fitted to the front axle. The non-speeder version has a hydraulically actuated dry disc brake, both offering smooth and effective braking.

**Diff Lock.** The Caterpillar Compact Wheel Loaders offer 100% diff-lock, in both axles as an option throughout the range. Diff-lock can be easily engaged on the move to allow travel over poor underfoot conditions.

**Chassis Oscillation.** Oscillating chassis helps assure four wheel ground contact for optimum traction and stability.

**Ride Control.** The ride control system further enhances the already smooth road handling of the machine, resulting in increased operator comfort and higher productivity. It is suited for extreme applications where operators need to maintain bucket material load and have a smooth ride. There are three modes available; auto, on and off. Recommended for use with the speeder option.





## Reliability and Durability

*Quality within, quality throughout.*



**E-Coat Protection.** Cat Compact Wheel Loaders undergo an extensive 24-Stage 'E-Coat' process. Zinc based electroplated undercoat and polyurethane topcoat provides unmatched corrosion resistant properties.



**Heavy Duty Axles.** The H Series Compact Wheel Loaders are fitted with heavy duty axles, with outboard planetary reduction gears.



**Wiring.** With heavy-duty wiring, Cat Compact Wheel Loaders offer great electrical durability. The water resistant sealed connectors prevent dust and moisture interfering with the electrics. Multicoloured wiring is used to ease diagnosis and fault finding.

## Serviceability

*Superb access to service points for easy maintenance.*



**Ground Level Access.** With a high opening, easy to lift up engine hood and side service doors, access to all major components and service points can be easily seen and reached safely from the ground.

**S•O•S Valves.** Are conveniently located in the engine bay for analyzing engine and hydraulic system cleanliness and service requirements, prolonging machine life.

**Caterpillar Air Cleaner.** A two stage air cleaner with an inbuilt centrifugal pre-cleaner, including a secondary element and a visual restriction indicator for better service life.

**Centralized Locations.** Auxiliary fuses, diagnostic sockets, isolator and other regular service points are all located together for ease of servicing.

**Hydraulic Filter/Fuel Filter.** Vertically mounted, spin on oil filter and fuel filter with water separator for easy servicing.

**Oil Cooler.** The cooling pack can be opened using a handle in the engine bay to allow easy cleaning.

**Electronic Technician.** Plug in point allows advanced diagnostics and fault code investigation using Caterpillar service tools.



## Customer Support

*Complete services provided by the world's largest dealer network.*

**Unmatched Dealer Support.** Excellent equipment management services and fast parts availability – most within 24 hours – provide maximum uptime and minimum repair costs.

### **Equipment Maintenance Services.**

To help optimize machine performance and reliability. Services include:

- Customer Support Agreements
- S•O•S oil analysis – can detect potential faults before they become major problems that cost time and money. Amongst a list of benefits, S•O•S can shorten repair time and help to manage budgets by forecasting the costs of repair and downtime. Sample test analysis is done in a Cat dealers laboratory by trained technicians utilising the most modern technology. Most test results are available within 24 hours of receipt of the sample.
- Maintenance contracts
- Scheduled technical inspections

### **Equipment Management Services.**

To help optimize profits.

Services include:

- Machine and work tool selection
- Rental and leasing
- Purchasing and financing
- Owning and operating cost management
- Extended warranties

For a complete explanation of these services please call your local Caterpillar dealer.



## Engine

Cat 3044C DIT engine, 4 cylinder, turbocharged, direct injection

		906H	907H	908H
Rated Power at 2600 rpm				
Gross power	kW/hp	53/72	53/72	60/82
Net power				
ISO 9249	kW/hp	51/69	51/69	58/79
80/1296/EEC	kW/hp	51/69	51/69	58/79
Bore	mm	94	94	94
Stroke	mm	120	120	120
Displacement	L	3.3	3.3	3.3

- All engine horsepower (hp) are metric including front page.
- Engine is EU Stage II compliant.

## Travel Speeds

		906H	907H	908H
Speed 1	km/h	7	7	7
Speed 2	km/h	20	20	20
High Speed	km/h	35	35	35

## Sound Levels

**Exterior Sound.** For European Union compliant machine configurations, the machine labeled spectator sound power level is measured according to the test procedures and conditions specified in 2000/14/EC.

## Hydraulic System

		906H	907H	908H
Main relief	bar	235	235	235
3rd Aux Flow				
Standard	L/min	83	83	83
High Flow	L/min	125	125	125
Hydraulic cycle time				
Lift	secs	5	5	5
Lower	secs	4	4	4
Dump	secs	2	2	2
Rack Back	secs	2.5	2.5	2.5

## ROPS/FOPS

Caterpillar cab, Rollover Protective Structure (ROPS) and Falling Objects Protective structure (FOPS)

- ROPS meets the following criteria: ISO 3471-1:1994
- FOPS meets the following criteria: ISO 3449:1992

## Service Refill Capacities

		906H	907H	908H
Cooling System	L	24	24	24
Fuel Tank	L	52	78	78
Hydraulic System	L	84	84	84
Engine Oil	L	10	10	10

## Maximum Material Densities

Based on ISO 7546:1983, and rated operating loads at full turn.

Bucket Type		General Purpose			Multi Purpose			Light Material		
		906H	907H	908H	906H	907H	908H	906H	907H	908H
Model										
Rated Capacity	m <sup>3</sup>	0.90	1.00	1.10	0.75	0.75	0.90	1.20	1.20	1.50
Dump Height										
Horizontal Pin Coupler	mm	2510	2510	2655	2500	2500	2665	2430	2430	2460
SSL Coupler	mm	2395	2395	2540	2470	2470	2630	2395	2395	2345
Maximum Material Density										
Horizontal Pin Coupler	kg/m <sup>3</sup>	1740	1595	1605	2000	2050	1900	1160	1220	1070
SSL Coupler	kg/m <sup>3</sup>	1615	1480	1500	1950	2000	1865	1105	1135	1000
Bucket Width	mm	1880	2035	2060	1880	1880	2060	2080	2080	2080

## Operating Specifications

Machine with full fuel tank, ROPS cab, 75 kg operator, horizontal pin coupler (HP) or skid steer loader coupler (SSL) and general purpose bucket (GP).

Coupler type	906H		907H		908H		
	HP	SSL	HP	SSL	HP	SSL	
Tyre size	405/70 R18		405/70 R18		405/70 R20		
Operating weight (ISO 6016:1998)	kg	5630	5630	5810	5810	6465	6465
Rated bucket capacity (ISO 7546:1983)	m <sup>3</sup>	0.9	0.9	1.0	1.0	1.1	1.1
Hydraulic lift capacity, maximum (ISO 14397-2)	kN	34	32	34	32	38	35
Breakout force, bucket (ISO 14397-2)	kN	51	42	51	42	57	47
Rated operating load at full turn, bucket (ISO 14397-1)	kg	1565	1450	1595	1480	1765	1650
Straight tipping load, bucket (ISO 14397-1)	kg	4055	3775	4245	3950	4440	4155
Full turn static tipping load, bucket (ISO 14397-1)	kg	3130	2900	3190	2960	3530	3295
Rackback, transport position		52°	52°	52°	52°	52°	52°
Rated operating load at full turn, forks (EN 474-3, firm and level ground, 1.25 stability and 500 mm load center)	kg	2150	2030	2200	2080	2500	2320
Rated operating load at full turn, forks (EN 474-3, firm and level ground, 1.25 stability and 500 mm load center) (transport 100 mm above ground)	kg	2695	2670	2760	2735	3035	2945

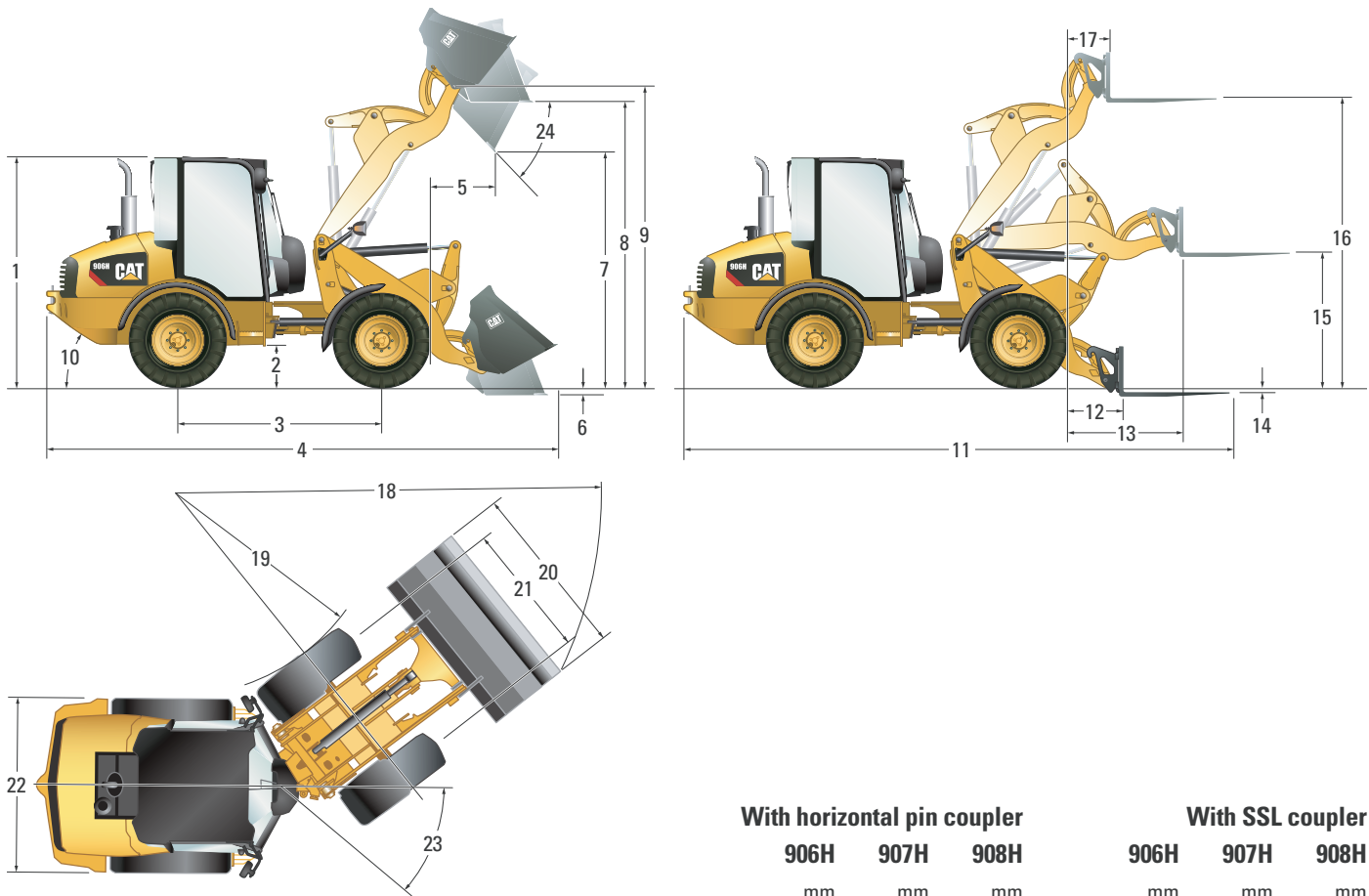
## Cab Features

Standard Cab Features	Base Cab*	Comfort Cab	Deluxe Cab	Canopy
Two access doors	✓	✓	✓	
Fixed steering column	✓			✓
Adjustable steering column		✓	✓	
Vinyl suspension seat				✓
Cloth suspension seat, arm rest	✓	✓		
Cloth, electric air suspension, arm/head rest, lumbar support and heated back seat			✓	
Left window – fixed	✓			
Left window – sliding		✓	✓	
Right window – sliding			✓	
Heated rear window	✓	✓	✓	
Coat hook	✓	✓	✓	✓
Cabin light	✓	✓	✓	
Sun visor	✓	✓	✓	✓
Radio-ready kit (wiring, speaker, aerial and grilles)		✓	✓	
External mirror – knock back	✓	✓	✓	✓
Heater	✓	✓	✓	
<b>Optional Cab Features</b>				
Cat radio/CD/MP3/WMA	✓	✓	✓	
Rear blind	✓	✓	✓	
Internal mirror	✓	✓	✓	✓
Storage tray	✓	✓	✓	✓
Storage box	✓	✓	✓	✓
Heater and air conditioning	✓	✓	✓	
Radio-ready kit (wiring, speaker, aerial and grilles)	✓			

\* Base cab available only on the 906H

# Dimensions

Dimensions shown are based on the machine equipped with general purpose bucket and standard tires. All dimensions are approximate.



	With horizontal pin coupler			With SSL coupler		
	906H	907H	908H	906H	907H	908H
	mm	mm	mm	mm	mm	mm
<b>1</b> Cab Height	2465	2585	2650	2465	2585	2650
<b>2</b> Ground Clearance	300	300	340	300	300	340
<b>3</b> Wheelbase	2170	2170	2170	2170	2170	2170
<b>4</b> Overall Length with Bucket	5435	5435	5595	5585	5585	5760
<b>5</b> Reach at Max Dump Height	710	710	760	810	810	855
<b>6</b> Dig Depth	80	80	85	90	90	95
<b>7</b> Max Dump Height	2510	2510	2655	2395	2395	2540
<b>8</b> Load Over Height	3035	3035	3225	3025	3025	3215
<b>9</b> Hinge Pin at Max Height	3230	3230	3410	3230	3230	3410
<b>10</b> Departure Angle (degrees)	34°	34°	34°	34°	34°	34°
<b>11</b> Overall Length with Forks	5915	5915	6015	5945	5945	6150
<b>12</b> Reach at Ground Level	720	720	790	750	750	925
<b>13</b> Max Reach	1215	1215	1310	1265	1265	1445
<b>14</b> Fork Depth Below Ground (Above Ground)	25	25	70	(45)	(45)	(30)
<b>15</b> Fork Height at Max Reach	1425	1425	1450	1490	1490	1525
<b>16</b> Max Fork Height	3090	3090	3225	3160	3160	3300
<b>17</b> Fork Reach at Max Height	445	445	460	505	505	595
<b>18</b> Turning Radius Over Bucket	4400	4475	4510	4445	4515	4560
<b>19</b> Turning Radius Inside Tire	2240	2240	2080	2240	2240	2080
<b>20</b> Width Over Bucket	1880	2035	2060	1880	1880	2060
<b>21</b> Tire Gauge	1420	1420	1570	1420	1420	1570
<b>22</b> Machine Width	1840	1840	1985	1840	1840	1985
<b>23</b> Articulation Angle	39°	39°	39°	39°	39°	39°
<b>24</b> Dump Angle at Max Height	45°	45°	45°	45°	45°	45°

---

## Standard Equipment

Standard and optional equipment may vary by region. Consult your Caterpillar dealer for details.

---

### Transmission

Transmission, 20 km/h with standard axles  
Transmission inching function  
Hydrostatic drive

### Loader

Hydraulic horizontal pin quick coupler or Skid steer quick coupler  
Proportional auxiliary hydraulic circuit  
Loader arm float function  
Connect under pressure hydraulic quick connector  
Parallel lift Z-bar loader

### Engine

3044C DIT Stage II compliant  
Two stage air cleaner with visual indicator  
Cat Extended Life Coolant  
Lockable engine compartments  
Easy quick release fuel filter/water separator  
Engine oil drain valve  
Closed circuit breather

### Electrical

Master isolator  
Heavy duty battery, 12 V  
Engine cold starter aid  
Alternator 90 A  
Service point connector for electronic diagnostics (ET)

### General

E-coat paint primer  
Pressure test points  
Recovery hitch and pin  
Scheduled oil sampling S•O•S ports  
Lockable fuel filler cap

### All Cabs

Multifunction joystick with direction control  
Proportional auxiliary control  
Two external mirrors - knock back  
Warning indicators for major systems  
Wiper/washer front & rear  
Easy clean cab floor

### Operator Environment

Radio ready kit inc. speakers (not in base cab)  
Two doors  
Personal storage  
Cup holder  
Sun visor  
Rear screen defrost  
ROPS & FOPS  
Wrist rest  
Retractable seat belt (2 inch)  
Cabin light  
Auxiliary power sockets  
Coat hook  
Pressurized cab  
On board digital display cluster  
Heater with window, side and feet vents  
Sound suppression

---

## Optional Equipment

Optional equipment may vary. Some combinations of options may not be possible. Consult your Caterpillar dealer for details.

---

### Transmission

Transmission control upgrade  
100% Differential Lock on both axles, selectable on the move  
Ride control  
Speeder, 35 km/h

### Loader

High flow auxiliary hydraulics  
Load check valves  
Return to dig work tool positioner

### Engine

Engine block heater 120 V  
Engine oil drain valve (non spill eco drain)  
Cat extended life coolant (-50 °C)

### Electrical

Back up alarm  
Machine Security System (MSS)  
Rotating beacon  
Work tool wiring harness  
Working lights, two front and two rear

### General

Tire options including heavy duty tires

### Fluids

Biodegradable hydraulic oil

### Work Tools

For all work tools and standard/high flow options (consult your Caterpillar dealer)

### Operator Environment

Air conditioning  
Retractable seat belt (3 inch)  
Cat radio/CD/MP3/WMA  
Canopy  
Base cab for 906H  
Comfort and deluxe cabs  
Mechanical joystick (available only for 906H)  
Radio ready kit for base cab (wiring, speakers, aerial and grille)  
Rear blind  
Storage tray or lockable box  
Internal mirror  
  
For a summary of available options please refer to cab features pg. 13

# 906H, 907H, 908H Compact Wheel Loaders

For more complete information on Cat products, dealer services, and industry solutions, visit us on the web at [www.cat.com](http://www.cat.com)

Materials and specifications are subject to change without notice. Featured machines in photos may include additional equipment. See your Caterpillar dealer for available options.

© 2007 Caterpillar -- All rights reserved

CAT, CATERPILLAR, their respective logos, "Caterpillar Yellow" and the POWER EDGE trade dress as well as corporate and product identity used herein, are trademarks of Caterpillar and may not be used without permission.

HEHL3619 (06/2007) hr

**CATERPILLAR**<sup>®</sup>