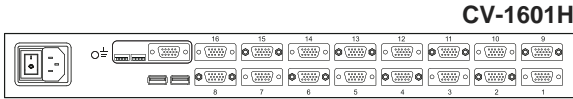
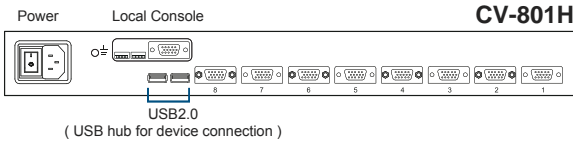


### CV-801H / 1601H



#### USB Hub DB-15 KVM Benefits

- ▶ VGA-USB DB-15 KVM with either 8 or 16 ports in 1U
- ▶ 2 x USB 2.0 port sharing USB peripheral for computers
- ▶ Mix USB & SUN with Multi-Platform switch capability
- ▶ Support resolution up to 1920 x 1080
- ▶ SUN 1152 x 900 resolution compatible
- ▶ Hot pluggable, no software or drivers required
- ▶ Easy & quick installation



#### Switch Features & Options

- Multi lingual on screen display menu
- Advanced user profiles and configurable OSD hot key combinations
- DC power options : 12V / 24V / 48V / 110 ~ 125V

#### Ordering Information

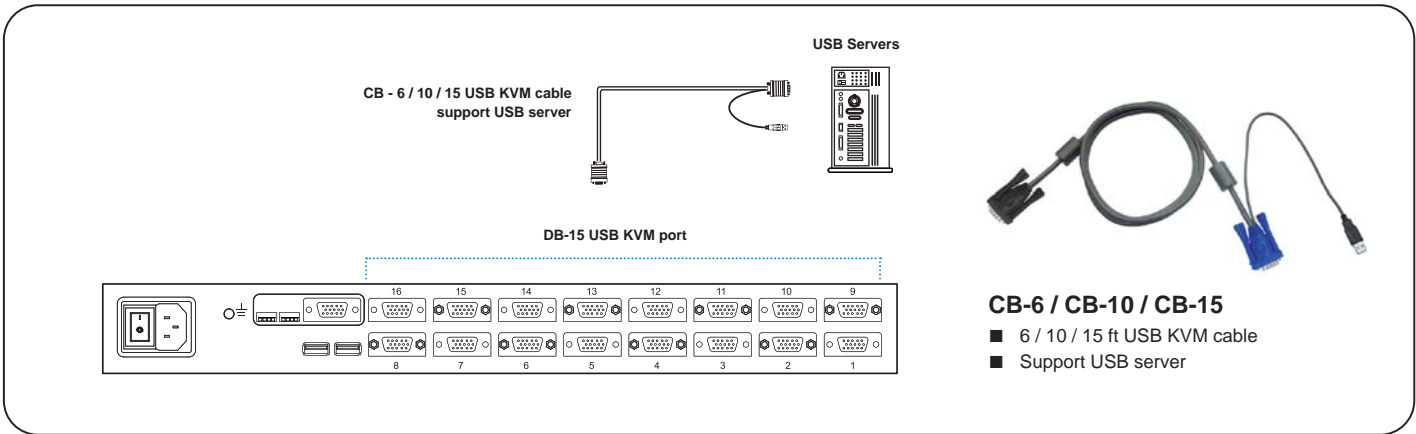
Console	Local	Remote	IP	8-port	16-port
	1	0	0	<b>CV-801H</b>	<b>CV-1601H</b>

#### KVM Specification

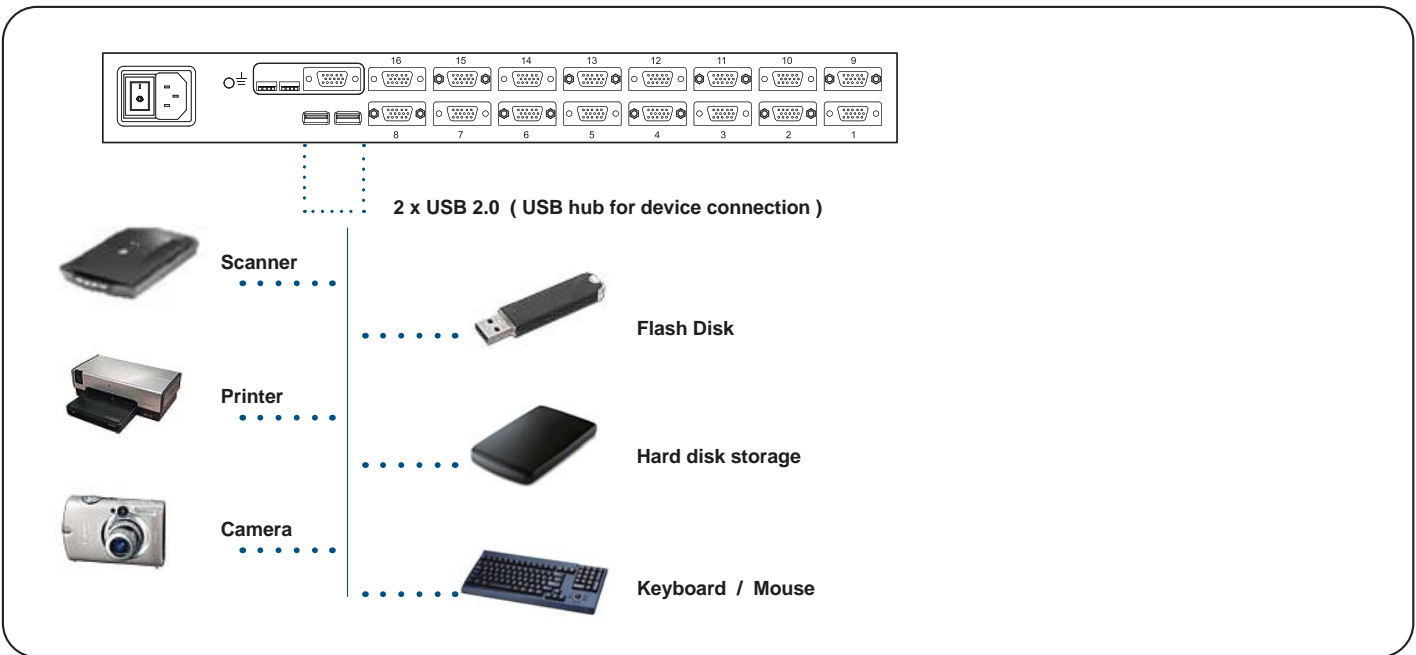
<b>■ KVM Port</b> Number of ports: 8 or 16 Connector: DB-15 combo connector Connectivity: Combo 2-in-1 VGA + USB KVM cable, 6, 10 or 15 feet	
<b>■ Local Console</b> Graphic Connector: 1 x DB-15 Resolution: Up to 1920 x 1200 Input device: 2 x USB type A for keyboard & mouse USB hub: 2 x USB type A for sharing other peripheral devices among the computers	
<b>■ Management</b> Multilingual OSD: English, France, German, Spanish, Italian, Russian, Simplified Chinese, Japanese Hotkey combination: Scroll-lock, Cap-lock, Num-lock, Alt, Ctrl & Win Security: Password enable & disable, up to 8 users profile for port access PC Selection: Front button, OSD menu & hotkey	
<b>■ Compatibility</b> Multi-platform: Mix PCs, SUN and Mac G3 / G4 Mac / iMac Support: Windows 7 / Vista / 2003 / XP, Linux, Unix	

<b>■ Power</b> Input: Auto sensing 100 to 240VAC, 50 / 60 Hz Option DC: 12V / 24V / 48V / 110 ~ 125V DC input Consumption: Max. 12 Watt, Standby 5 Watt	
<b>■ Regulatory :</b> Safety: FCC & CE certified Environment: RoHS2 & REACH compliant	
<b>■ Environmental</b> Operating: 0 to 50°C Storage: -5 to 60°C Relative humidity: 90%, non-condensing Shock: 50G peak acceleration (11ms, half-sine wave) Vibration: 58~100Hz / 0.98G (11ms / cycle)	
<b>■ Product Information</b> Dimension (W x D x H): 443 x 171 x 44 mm / 17.4 x 6.7 x 1.73 inch Net weight: 3 kg / 6.5 lb	
<b>■ Packing Information</b> Dimension (W x D x H): 500 x 400 x 90 mm / 19.7 x 15.7 x 3.5 inch Gross weight: 5 kg / 11 lb	

## KVM port connection



## Built-in USB Hub Usage & Connection



**!** For detailed product specifications and options, please download the user manual from the link below : [www.austin-hughes.com/support/usermanual/cyberview/UM-CV-USBKVM.pdf](http://www.austin-hughes.com/support/usermanual/cyberview/UM-CV-USBKVM.pdf)

## Front Panel - Port LED Indications

