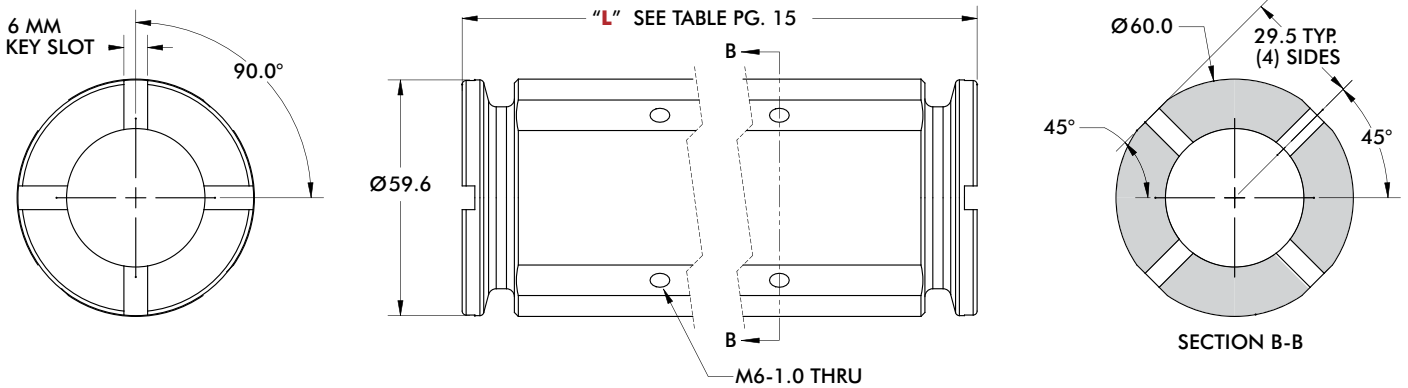
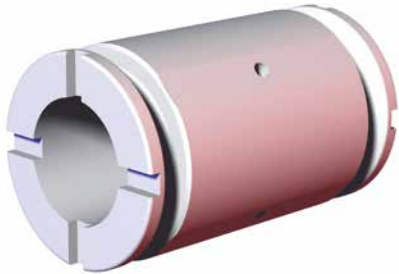


# SPIDERGRIP BOOMS, ADAPTORS AND SPACERS



Spidergrip Tooling Components | Dimensions | Technical Specifications

Ø60mm Boom



M6 tap holes along the boom are used to mount accessories

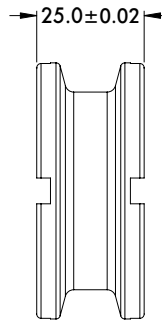
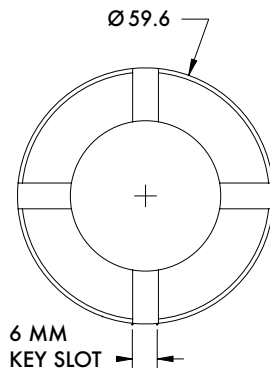
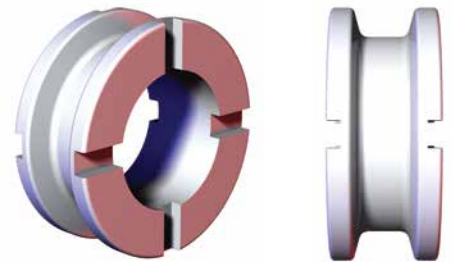
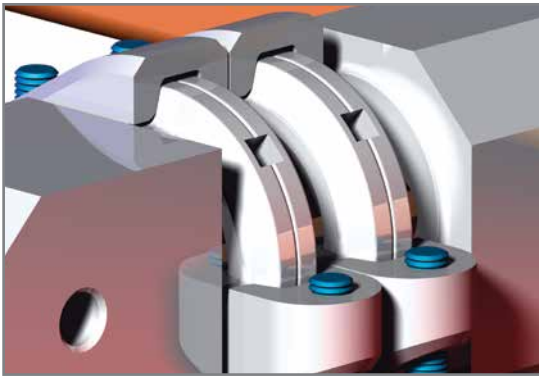
M6 Hole Spacing	Model Number	Length "L"	Weight
	<b>STB0050-NA</b>	50mm ±0.02	.20 kg [.43 lb]
	<b>STB0075-NA</b>	75mm ±0.02	.32 kg [.71 lb]
	<b>STB0100-NA</b>	100mm ±0.02	.45 kg [.99 lb]
	<b>STB0150-NA</b>	150mm ±0.02	.70 kg [1.54 lb]
	<b>STB0200-NA</b>	200mm ±0.02	.95 kg [2.09 lb]
	<b>STB0250-NA</b>	250mm ±0.02	1.20 kg [2.64 lb]
	<b>STB0300-NA</b>	300mm ±0.02	1.44 kg [3.18 lb]
	<b>STB0350-NA</b>	350mm ±0.02	1.74 kg [3.84 lb]



# SPIDERGRIP BOOMS, ADAPTORS AND SPACERS

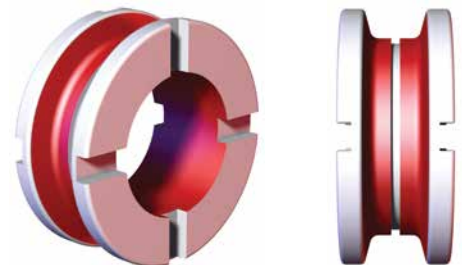
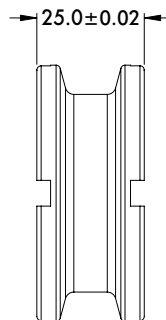
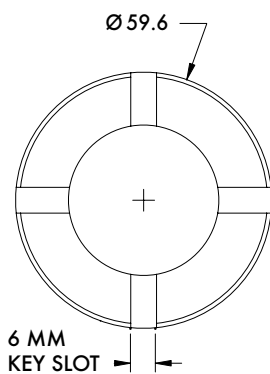
Spidergrip Tooling Components | Dimensions | Technical Specifications

## Ø60mm Breakaway and Non-Breakaway Boom Spacers



Model Number	Weight
STB0025-NA	.08 kg [.18 lb]

## Ø60mm 25mm Engineered Breakaway Boom Spacers



Model Number	Weight
STB0025-BA-800	.08 kg [.18 lb]

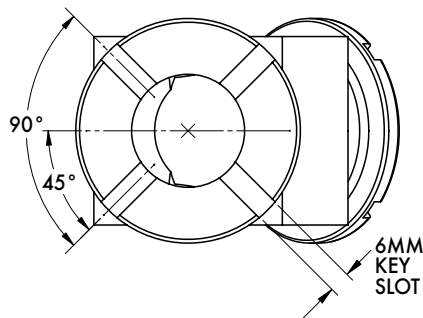
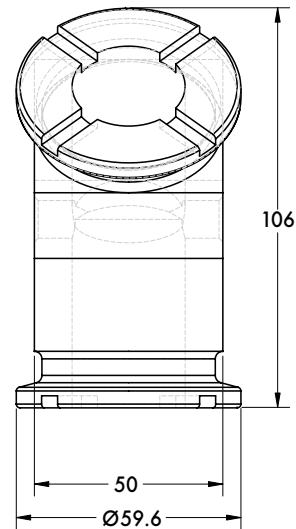
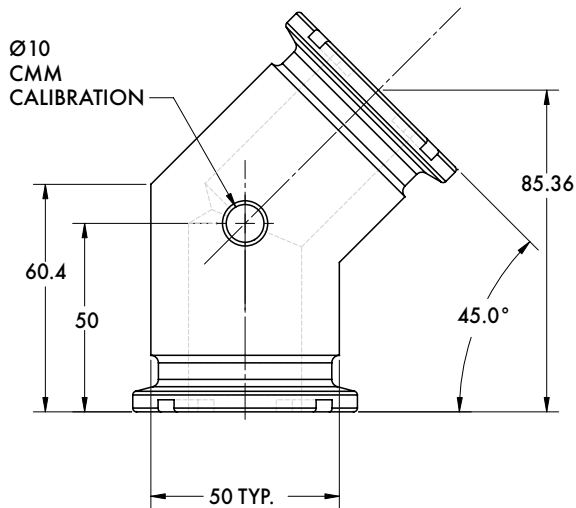
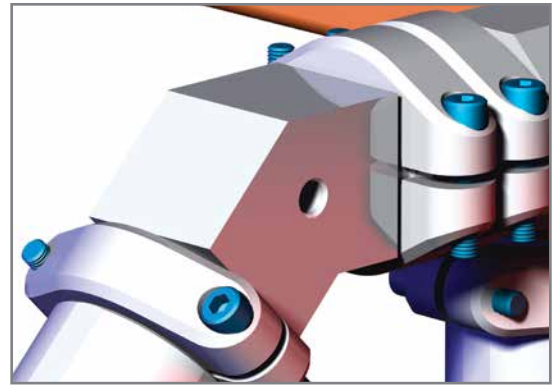
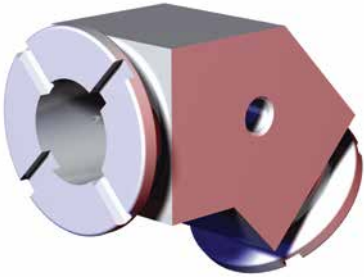
This Product is designed to breakaway at 800 N\*m [590 ft-lb]

# SPIDERGRIP BOOMS

Spidergrip Tooling Components | Dimensions | Technical Specifications



Ø60mm 2-Face 45° Junction



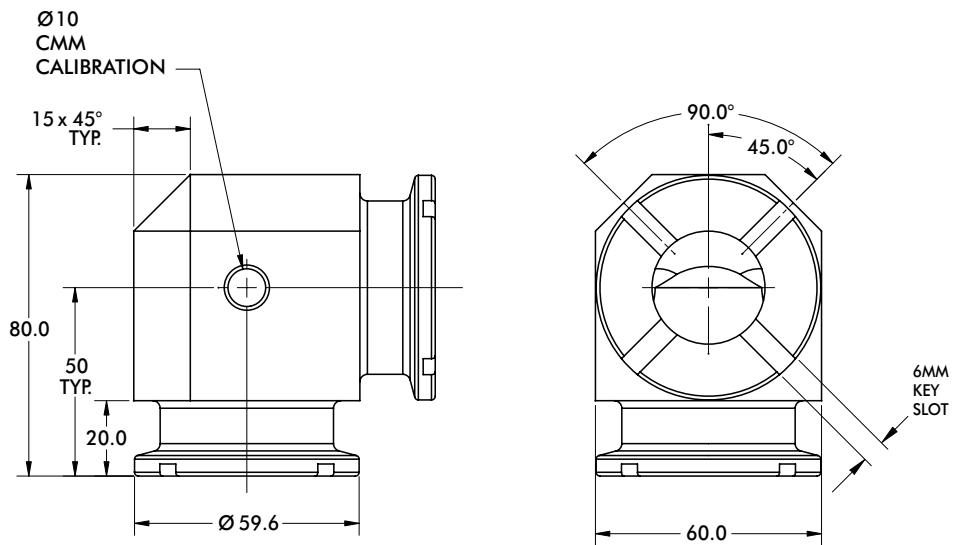
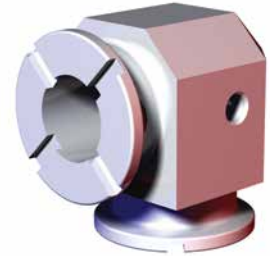
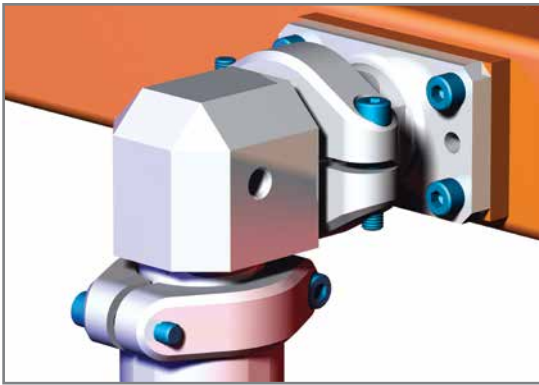
Model Number	Weight
STN0C45-NA	.42 kg [.93 lb]



# SPIDERGRIP SPACERS

Spidergrip Tooling Components | Dimensions | Technical Specifications

Ø60mm 2-face 90° Junction



Model Number	Weight
STN0C90-NA	.53 kg [1.16 lb]