

Data Sheet

Article No.

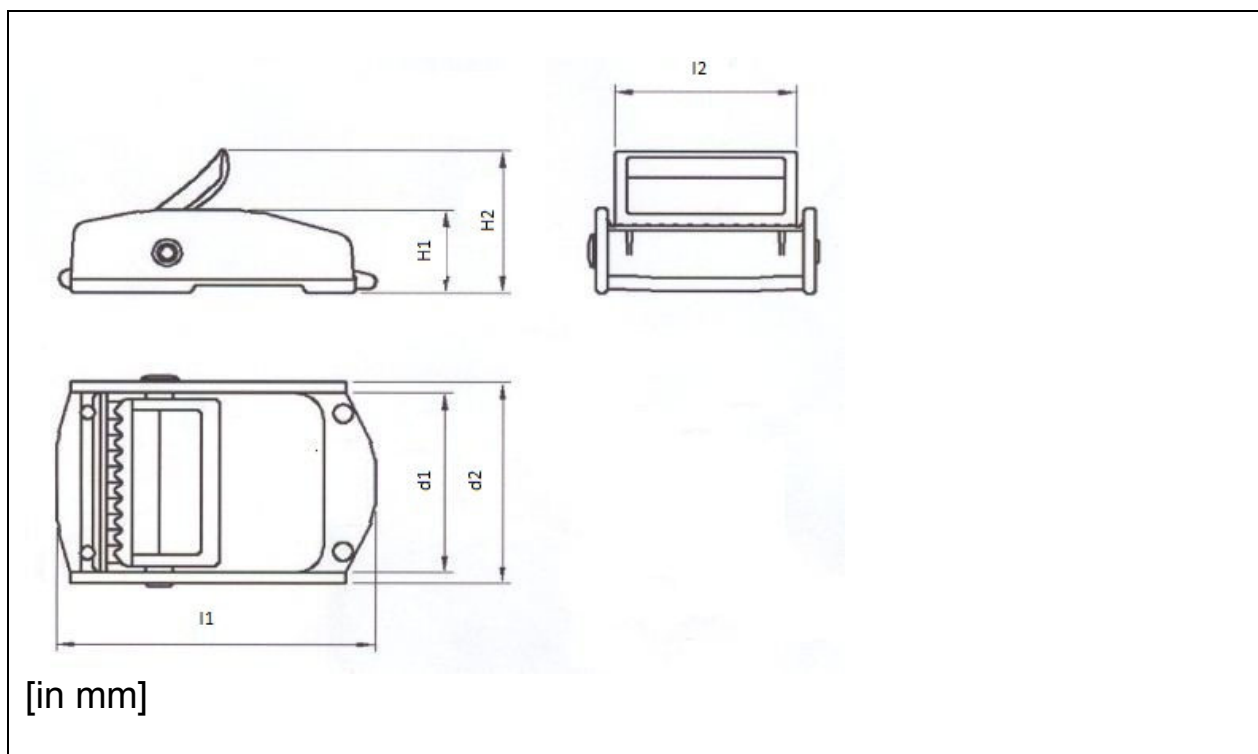
5705-36

Ident No.

931364

Date

15.01.2013



l1 [mm]	l2 [mm]	d1 [mm]	d2 [mm]	H1 [mm]	H2 [mm]
60	37	39	45	22	27

Material: zinc die cast

Weight: 123 g

Safe Working load (SWL) 300 daN

Breaking strength (BS): 600 daN

Position of the spring: middle

Marked with: KAMET SWL 300 daN