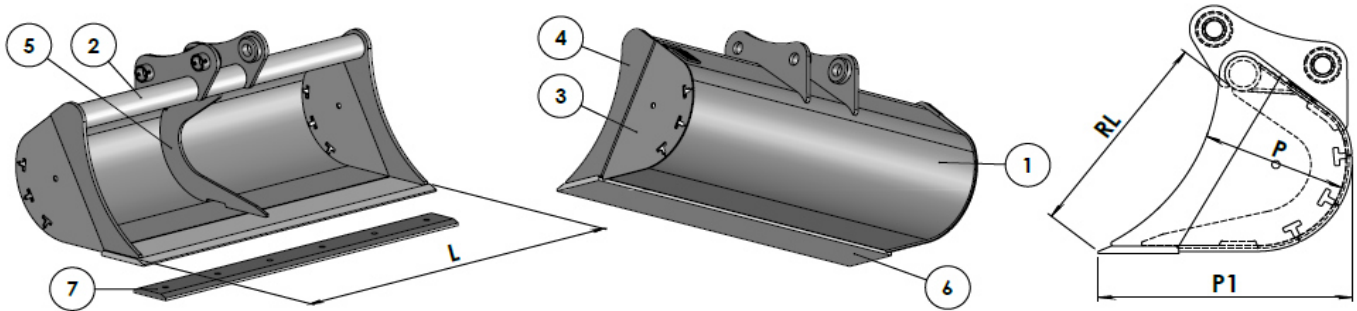


BENNA PULIZIA FOSSI PROFILO ROTONDO per escavatori
DITCH CLEANING BUCKET ROUND PROFILE for excavators
GODET CURAGE PROFIL ARRONDI pour pelles
CAZO DE LIMPIEZA PROFILO REDONDO para excavadoras
GRABENRAUMLÖFFEL RUNDPROFIL für Bagger



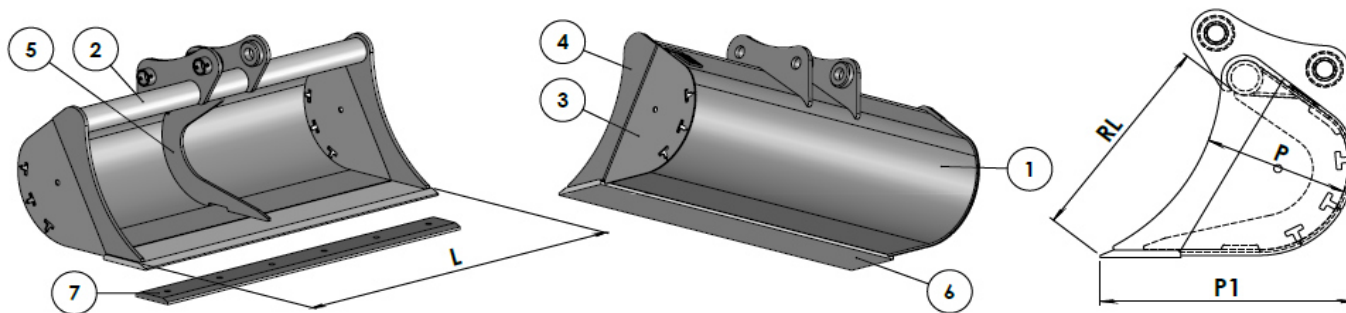
Classe Class	Codice Code	L mm	Cap. SAE Lt	Peso Kg Weight	RL mm	P mm	P1 mm	Listino € Price List	Sottolama € Bolt on blade
T.18 0,6 - 1,1 ton	WPA018-060	600	40	32	305	220	360	/	/
	WPA018-070	700	48	37				/	/
	WPA018-080	800	55	42				/	/
	WPA018-100	1000	71	52				/	/
		1	2	3	4	5	6	7 Optional	8
Materiale	Material	S355	S355	S355	S355	S355	EN 250	/	/
Spessore	Thickness	4 mm	54 x 6 mm	4 mm	8 mm	8 mm	110 x 16 mm	/	/

Classe Class	Codice Code	L mm	Cap. SAE Lt	Peso Kg Weight	RL mm	P mm	P1 mm	Listino € Price List	Sottolama € Bolt on blade
T.20 1,2 - 1,8 ton	WPA020-080	800	69	47	355	235	395	/	/
	WPA020-085	850	74	50				/	/
	WPA020-100	1000	89	59				/	/
	WPA020-120	1200	108	71				/	/
		1	2	3	4	5	6	7 Optional	8
Materiale	Material	S355	S355	S355	S355	S355	EN 250	/	/
Spessore	Thickness	4 mm	54 x 6 mm	4 mm	10 mm	8 mm	110 x 16 mm	/	/

Classe Class	Codice Code	L mm	Cap. SAE Lt	Peso Kg Weight	RL mm	P mm	P1 mm	Listino € Price List	Sottolama € Bolt on blade
T.25 1,9 - 2,8 ton	WPA025-080	800	84	57	385	260	430	/	/
	WPA025-100	1000	108	67				/	/
	WPA025-120	1200	131	77				/	/
	WPA025-140	1400	155	87				/	/
		1	2	3	4	5	6	7 Optional	8
Materiale	Material	S355	S355	S355	S355	S355	EN 250	HB 400	/
Spessore	Thickness	4 mm	60 x 7 mm	4 mm	10 mm	8 mm	150 x 16 mm	152 x 16 mm	/



BENNA PULIZIA FOSSI PROFILO ROTONDO per escavatori
DITCH CLEANING BUCKET ROUND PROFILE for excavators
GODET CURAGE PROFIL ARRONDI pour pelles
CAZO DE LIMPIEZA PROFILO REDONDO para excavadoras
GRABENRAUMLÖFFEL RUNDPROFIL für Bagger

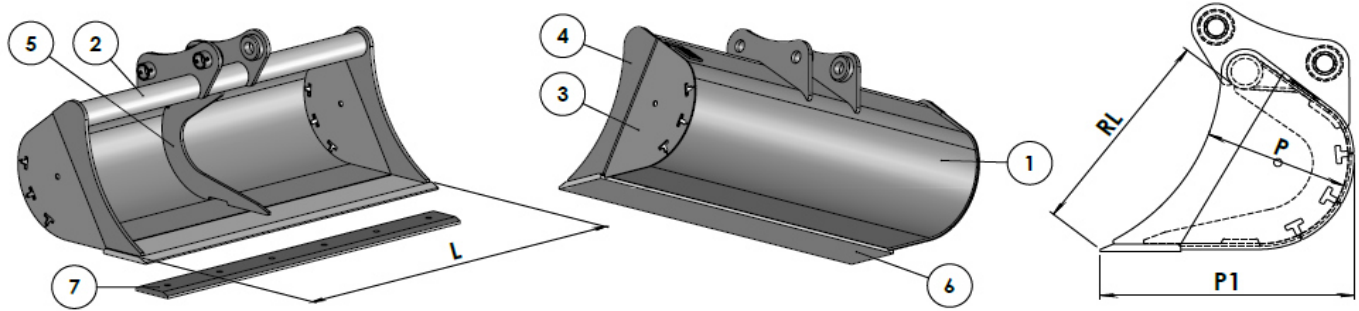


Classe Class	Codice Code	L mm	Cap. SAE Lt	Peso Kg Weight	RL mm	P mm	P1 mm	Listino € Price List	Sottolama € Bolt on blade
T.30 2,9 - 3,9 ton	WPA030-100	1000	141	93	445	300	495	/	/
	WPA030-120	1200	173	103				/	/
	WPA030-130	1300	189	108				/	/
	WPA030-140	1400	204	113				/	/
	WPA030-150	1500	220	118				/	/
		1	2	3	4	5	6	7 Optional	8
Materiale	Material	S355	S355	S355	S355	S355	EN 250	HB 400	/
Spessore	Thickness	5 mm	67 x 8 mm	5 mm	12 mm	10 mm	150 x 16 mm	152 x 16 mm	/

Classe Class	Codice Code	L mm	Cap. SAE Lt	Peso Kg Weight	RL mm	P mm	P1 mm	Listino € Price List	Sottolama € Bolt on blade
T.35 4 - 5,2 ton	WPA035-120	1200	224	130	495	345	565	/	/
	WPA035-130	1300	244	140				/	/
	WPA035-140	1400	264	150				/	/
	WPA035-150	1500	284	160				/	/
	WPA035-160	1600	304	170				/	/
		1	2	3	4	5	6	7 Optional	8
Materiale	Material	S355	S355	S355	S355	S355	EN 250	HB 400	/
Spessore	Thickness	5 mm	82 x 10 mm	6 mm	15 mm	15 mm	150 x 20 mm	152 x 20 mm	/



BENNA PULIZIA FOSSI PROFILO ROTONDO per escavatori
DITCH CLEANING BUCKET ROUND PROFILE for excavators
GODET CURAGE PROFIL ARRONDI pour pelles
CAZO DE LIMPIEZA PROFILO REDONDO para excavadoras
GRABENRAUMLÖFFEL RUNDPROFIL für Bagger

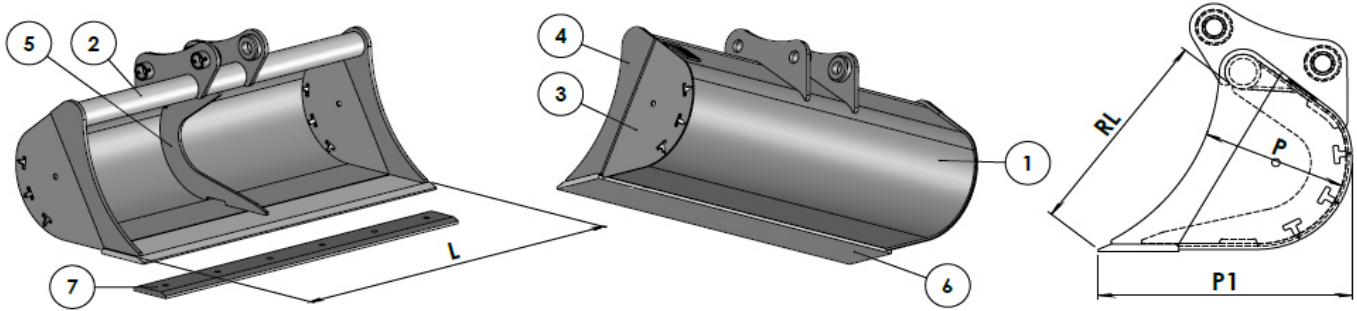


Classe Class	Codice Code	L mm	Cap. SAE Lt	Peso Kg Weight	RL mm	P mm	P1 mm	Listino € Price List	Sottolama € Bolt on blade
T.45 - T.48 5,3 - 9,5 ton	WPA045-120	1200	250	169	540	360	630	/	/
	WPA045-130	1300	275	180				/	/
	WPA045-140	1400	298	188				/	/
	WPA045-150	1500	322	199				/	/
	WPA045-160	1600	345	208				/	/
	WPA045-170	1700	368	219				/	/
	WPA045-180	1800	392	228				/	/
		1	2	3	4	5	6	7 Optional	8
Materiale	Material	S355	S355	S355	S355	S355	EN 250	HB 400	/
Spessore	Thickness	6 mm	89 x 10 mm	6 mm	15 mm	15 mm	200 x 20 mm	152 x 20 mm	/

Classe Class	Codice Code	L mm	Cap. SAE Lt	Peso Kg Weight	RL mm	P mm	P1 mm	Listino € Price List	Sottolama € Bolt on blade
T.50 9,6 - 12,5 ton	WPA050-140	1400	348	234	595	430	650	/	/
	WPA050-150	1500	376	245				/	/
	WPA050-160	1600	404	256				/	/
	WPA050-170	1700	433	268				/	/
	WPA050-180	1800	461	279				/	/
	WPA050-190	1900	489	291				/	/
	WPA050-200	2000	517	302				/	/
		1	2	3	4	5	6	7 Optional	8
Materiale	Material	S355	S355	S355	S355	S355	HB 400	HB 400	/
Spessore	Thickness	6 mm	114 x 12 mm	6 mm	20 mm	15 mm	200 x 20 mm	203 x 20 mm	/



BENNA PULIZIA FOSSI PROFILO ROTONDO per escavatori
DITCH CLEANING BUCKET ROUND PROFILE for excavators
GODET CURAGE PROFIL ARRONDI pour pelles
CAZO DE LIMPIEZA PROFILO REDONDO para excavadoras
GRABENRAUMLÖFFEL RUNDPROFIL für Bagger

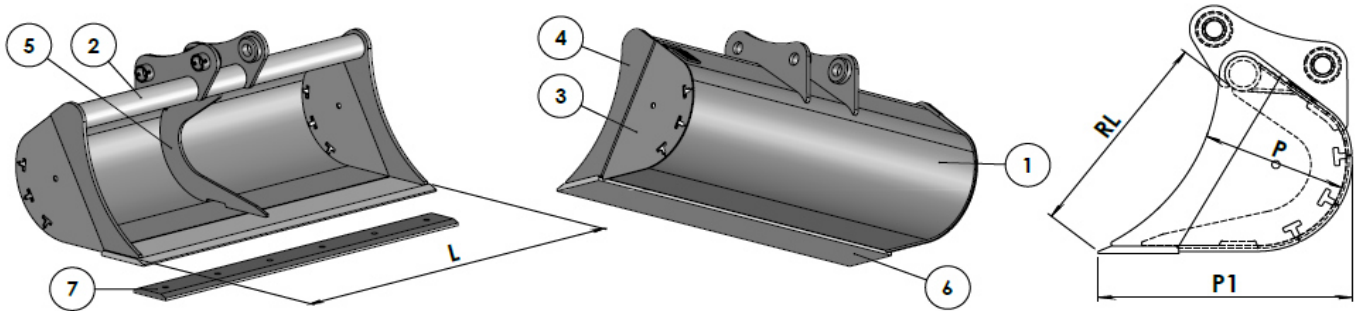


Classe Class	Codice Code	L mm	Cap. SAE Lt	Peso Kg Weight	RL mm	P mm	P1 mm	Listino € Price List	Sottolama € Bolt on blade
T.55 12,6 - 16 ton	WPA055-160	1600	466	337	630	470	685	/	/
	WPA055-170	1700	498	352				/	/
	WPA055-180	1800	531	367				/	/
	WPA055-190	1900	563	382				/	/
	WPA055-200	2000	595	397				/	/
	WPA055-210	2100	628	412				/	/
	WPA055-220	2200	660	427				/	/
		1	2	3	4	5	6	7 Optional	8
Materiale	Material	S355	S355	S355	S355	S355	HB 400	HB 400	/
Spessore	Thickness	8 mm	127 x 14 mm	6 mm	20 mm	15 mm	200 x 25 mm	203 x 20 mm	/

Classe Class	Codice Code	L mm	Cap. SAE Lt	Peso Kg Weight	RL mm	P mm	P1 mm	Listino € Price List	Sottolama € Bolt on blade
T.60 16 - 19 ton	WPA060-160	1600	531	356	685	485	740	/	/
	WPA060-170	1700	568	372				/	/
	WPA060-180	1800	605	388				/	/
	WPA060-190	1900	643	404				/	/
	WPA060-200	2000	680	420				/	/
	WPA060-210	2100	717	436				/	/
	WPA060-220	2200	754	466				/	/
		1	2	3	4	5	6	7 Optional	8
Materiale	Material	S355	S355	S355	S355	S355	HB 400	HB 400	/
Spessore	Thickness	8 mm	127 x 14 mm	6 mm	20 mm	20 mm	200 x 25 mm	203 x 20 mm	/



BENNA PULIZIA FOSSI PROFILO ROTONDO per escavatori
DITCH CLEANING BUCKET ROUND PROFILE for excavators
GODET CURAGE PROFIL ARRONDI pour pelles
CAZO DE LIMPIEZA PROFILO REDONDO para excavadoras
GRABENRAUMLÖFFEL RUNDPROFIL für Bagger

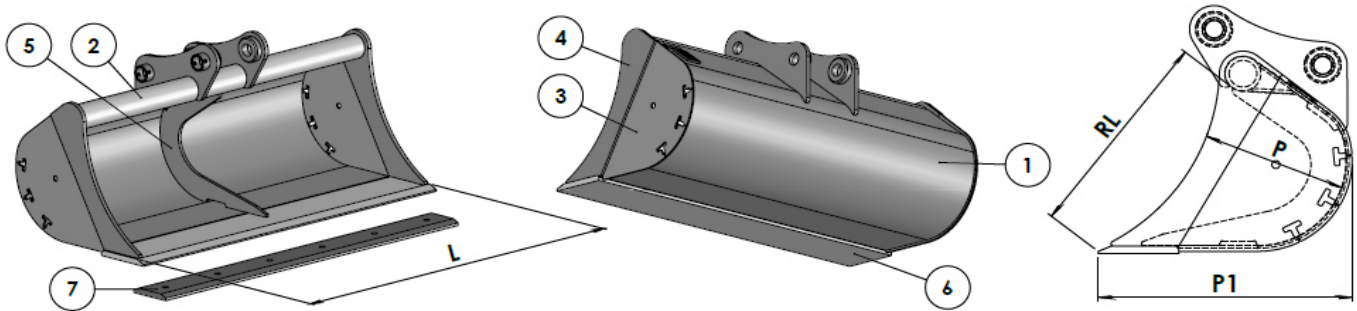


Classe Class	Codice Code	L mm	Cap. SAE Lt	Peso Kg Weight	RL mm	P mm	P1 mm	Listino € Price List	Sottolama € Bolt on blade
T.65 19 - 23 ton	WPA065-160	1600	614	380	745	500	780	/	/
	WPA065-170	1700	657	396				/	/
	WPA065-180	1800	701	413				/	/
	WPA065-190	1900	744	429				/	/
	WPA065-200	2000	788	446				/	/
	WPA065-210	2100	831	462				/	/
	WPA065-220	2200	874	495				/	/
		1	2	3	4	5	6	7 Optional	8
Materiale	Material	S355	S355	S355	S355	S355	HB 400	HB 400	/
Spessore	Thickness	8 mm	127 x 14 mm	6 mm	20 mm	20 mm	200 x 25 mm	203 x 20 mm	/

Classe Class	Codice Code	L mm	Cap. SAE Lt	Peso Kg Weight	RL mm	P mm	P1 mm	Listino € Price List	Sottolama € Bolt on blade
T.66 23 - 26 ton	WPA066-180	1800	823	596	835	540	875	/	/
	WPA066-190	1900	874	620				/	/
	WPA066-200	2000	926	641				/	/
	WPA066-210	2100	978	670				/	/
	WPA066-220	2200	1030	716				/	/
	WPA066-230	2300	1082	740				/	/
	WPA066-240	2400	1134	764				/	/
	WPA066-250	2500	1186	790				/	/
		1	2	3	4	5	6	7 Optional	8
Materiale	Material	S355	S355	S355	S355	S355	HB 400	HB 400	/
Spessore	Thickness	10 mm	152 x 16 mm	8 mm	25 mm	25 mm	270 x 32 mm	250 x 25 mm	/



BENNA PULIZIA FOSSI PROFILO ROTONDO per escavatori
DITCH CLEANING BUCKET ROUND PROFILE for excavators
GODET CURAGE PROFIL ARRONDI pour pelles
CAZO DE LIMPIEZA PROFILO REDONDO para excavadoras
GRABENRAUMLÖFFEL RUNDPROFIL für Bagger

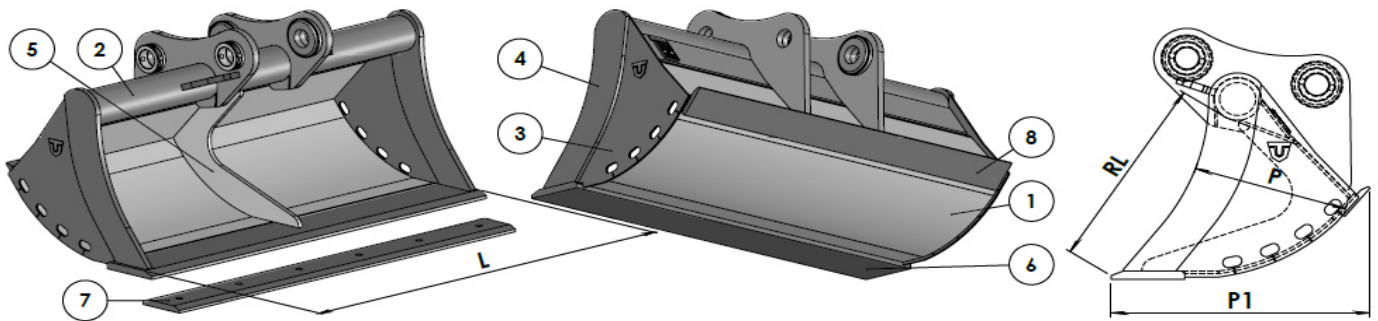


Classe Class	Codice Code	L mm	Cap. SAE Lt	Peso Kg Weight	RL mm	P mm	P1 mm	Listino € Price List	Sottolama € Bolt on blade
T.68 26 - 31 ton	WPA068-180	1800	992	754	915	605	960	/	/
	WPA068-190	1900	1055	782				/	/
	WPA068-200	2000	1118	810				/	/
	WPA068-210	2100	1181	838				/	/
	WPA068-220	2200	1244	890				/	/
	WPA068-230	2300	1307	918				/	/
	WPA068-240	2400	1370	946				/	/
	WPA068-250	2500	1433	974				/	/
		1	2	3	4	5	6	7 Optional	8
Materiale	Material	S355	S355	S355	S355	S355	HB 400	HB 400	/
Spessore	Thickness	10 mm	178 x 20 mm	10 mm	25 mm	25 mm	300 x 30 mm	250 x 25 mm	/

Classe Class	Codice Code	L mm	Cap. SAE Lt	Peso Kg Weight	RL mm	P mm	P1 mm	Listino € Price List	Sottolama € Bolt on blade
T.69 - T.70 31 - 43 ton	WPA070-200	2000	1330	924	990	655	1020	/	/
	WPA070-210	2100	1405	957				/	/
	WPA070-220	2200	1481	1018				/	/
	WPA070-230	2300	1556	1051				/	/
	WPA070-240	2400	1632	1084				/	/
	WPA070-250	2500	1707	1117				/	/
	WPA070-260	2600	1783	1150				/	/
		1	2	3	4	5	6	7 Optional	8
Materiale	Material	S355	S355	S355	S355	S355	HB 400	HB 400	/
Spessore	Thickness	10 mm	178 x 20 mm	10 mm	30 mm	25 mm	300 x 30 mm	250 x 25 mm	/



BENNA PULIZIA FOSSI PROFILO ZAPPA per escavatori
DITCH CLEANING BUCKET SQUARED PROFILE for excavators
GODET CURAGE PROFIL A FOND PLAT pour pelles
CAZO DE LIMPIEZA PROFILO "ZAPPA" para excavadoras
GRABENRAUMLÖFFEL SCHABEPROFIL für Bagger

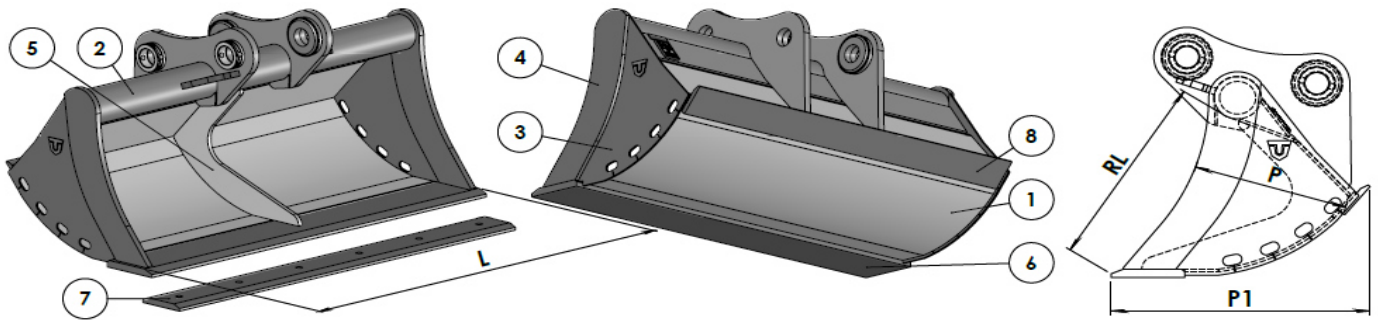


Classe Class	Codice Code	L mm	Cap. SAE Lt	Peso Kg Weight	RL mm	P mm	P1 mm	Listino € Price List	Sottolama € Bolt on blade
T.45 - T.48 5,3 - 9,5 ton	WPC045-120	1200	246	231	530	435	680	/	/
	WPC045-130	1300	269	245				/	/
	WPC045-140	1400	292	259				/	/
	WPC045-150	1500	315	273				/	/
	WPC045-160	1600	338	287				/	/
	WPC045-170	1700	361	301				/	/
	WPC045-180	1800	384	315				/	/
		1	2	3	4	5	6	7 Optional	8
Materiale	Material	S355	S355	S355	S355	S355	EN 250	HB 400	HB 400
Spessore	Thickness	8 mm	114 x 12 mm	6 mm	15 mm	15 mm	200 x 20 mm	152 x 20 mm	110 x 16 mm

Classe Class	Codice Code	L mm	Cap. SAE Lt	Peso Kg Weight	RL mm	P mm	P1 mm	Listino € Price List	Sottolama € Bolt on blade
T.50 9,6 - 12,5 ton	WPC050-140	1400	315	283	570	435	740	/	/
	WPC050-150	1500	340	298				/	/
	WPC050-160	1600	365	313				/	/
	WPC050-170	1700	391	328				/	/
	WPC050-180	1800	416	343				/	/
	WPC050-190	1900	441	358				/	/
	WPC050-200	2000	466	373				/	/
		1	2	3	4	5	6	7 Optional	8
Materiale	Material	S355	S355	S355	S355	S355	HB 400	HB 400	HB 400
Spessore	Thickness	8 mm	127 x 14 mm	6 mm	20 mm	15 mm	200 x 20 mm	203 x 20 mm	110 x 16 mm



BENNA PULIZIA FOSSI PROFILO ZAPPA per escavatori
DITCH CLEANING BUCKET SQUARED PROFILE for excavators
GODET CURAGE PROFIL A FOND PLAT pour pelles
CAZO DE LIMPIEZA PROFILO "ZAPPA" para excavadoras
GRABENRAUMLÖFFEL SCHABEPROFIL für Bagger

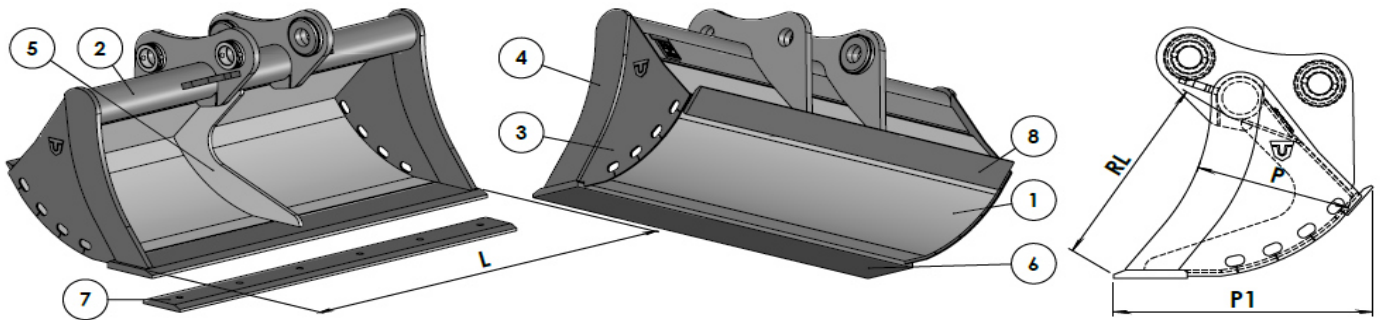


Classe Class	Codice Code	L mm	Cap. SAE Lt	Peso Kg Weight	RL mm	P mm	P1 mm	Listino € Price List	Sottolama € Bolt on blade
T.55 12,6 - 16 ton	WPC055-160	1600	446	364	605	490	810	/	/
	WPC055-170	1700	476	381				/	/
	WPC055-180	1800	507	398				/	/
	WPC055-190	1900	538	415				/	/
	WPC055-200	2000	569	432				/	/
	WPC055-210	2100	600	449				/	/
	WPC055-220	2200	630	475				/	/
		1	2	3	4	5	6	7 Optional	8
Materiale	Material	S355	S355	S355	S355	S355	HB 400	HB 400	HB 400
Spessore	Thickness	8 mm	127 x 14 mm	6 mm	20 mm	15 mm	200 x 25 mm	203 x 20 mm	110 x 16 mm

Classe Class	Codice Code	L mm	Cap. SAE Lt	Peso Kg Weight	RL mm	P mm	P1 mm	Listino € Price List	Sottolama € Bolt on blade
T.60 16 - 19 ton	WPC060-160	1600	557	441	680	545	900	/	/
	WPC060-170	1700	596	459				/	/
	WPC060-180	1800	635	477				/	/
	WPC060-190	1900	674	495				/	/
	WPC060-200	2000	713	513				/	/
	WPC060-210	2100	752	531				/	/
	WPC060-220	2200	791	564				/	/
		1	2	3	4	5	6	7 Optional	8
Materiale	Material	S355	S355	S355	S355	S355	HB 400	HB 400	HB 400
Spessore	Thickness	8 mm	127 x 14 mm	8 mm	20 mm	20 mm	200 x 25 mm	203 x 20 mm	110 x 16 mm



BENNA PULIZIA FOSSI PROFILO ZAPPA per escavatori
DITCH CLEANING BUCKET SQUARED PROFILE for excavators
GODET CURAGE PROFIL A FOND PLAT pour pelles
CAZO DE LIMPIEZA PROFILO "ZAPPA" para excavadoras
GRABENRAUMLÖFFEL SCHABEPROFIL für Bagger

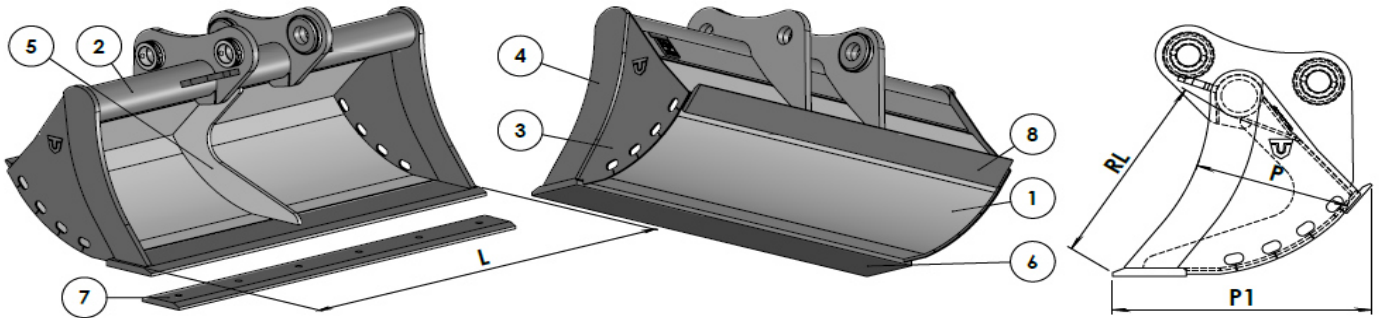


Classe Class	Codice Code	L mm	Cap. SAE Lt	Peso Kg Weight	RL mm	P mm	P1 mm	Listino € Price List	Sottolama € Bolt on blade
T.65 19 - 23 ton	WPC065-160	1600	652	469	740	580	960	/	/
	WPC065-170	1700	698	490				/	/
	WPC065-180	1800	744	511				/	/
	WPC065-190	1900	791	532				/	/
	WPC065-200	2000	837	553				/	/
	WPC065-210	2100	883	574				/	/
	WPC065-220	2200	929	613				/	/
		1	2	3	4	5	6	7 Optional	8
Materiale	Material	S355	S355	S355	S355	S355	HB 400	HB 400	HB 400
Spessore	Thickness	10 mm	127 x 14 mm	8 mm	20 mm	20 mm	200 x 25 mm	203 x 20 mm	110 x 16 mm

Classe Class	Codice Code	L mm	Cap. SAE Lt	Peso Kg Weight	RL mm	P mm	P1 mm	Listino € Price List	Sottolama € Bolt on blade
T.66 23 - 26 ton	WPC066-180	1800	860	749	805	615	1020	/	/
	WPC066-190	1900	913	777				/	/
	WPC066-200	2000	966	805				/	/
	WPC066-210	2100	1020	833				/	/
	WPC066-220	2200	1073	890				/	/
	WPC066-230	2300	1127	918				/	/
	WPC066-240	2400	1180	946				/	/
	WPC066-250	2500	1234	975				/	/
		1	2	3	4	5	6	7 Optional	8
Materiale	Material	S355	S355	S355	S355	S355	HB 400	HB 400	HB 400
Spessore	Thickness	12 mm	152 x 16 mm	10 mm	25 mm	25 mm	270 x 32 mm	250 x 25 mm	110 x 16 mm



BENNA PULIZIA FOSSI PROFILO ZAPPA per escavatori
DITCH CLEANING BUCKET SQUARED PROFILE for excavators
GODET CURAGE PROFIL A FOND PLAT pour pelles
CAZO DE LIMPIEZA PROFILO "ZAPPA" para excavadoras
GRABENRAUMLÖFFEL SCHABEPROFIL für Bagger

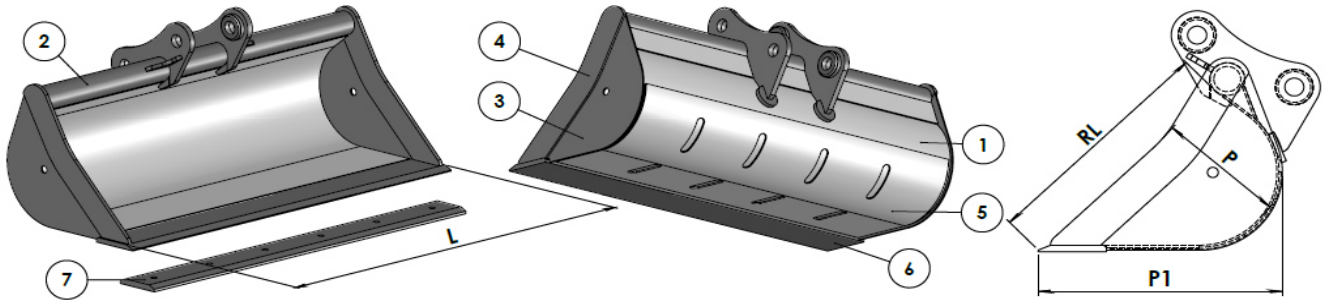


Classe Class	Codice Code	L mm	Cap. SAE Lt	Peso Kg Weight	RL mm	P mm	P1 mm	Listino € Price List	Sottolama € Bolt on blade
T.68 26 - 31 ton	WPC068-180	1800	1058	1001	920	700	1150	/	/
	WPC068-190	1900	1125	1039				/	/
	WPC068-200	2000	1193	1077				/	/
	WPC068-210	2100	1260	1115				/	/
	WPC068-220	2200	1327	1188				/	/
	WPC068-230	2300	1394	1226				/	/
	WPC068-240	2400	1462	1264				/	/
	WPC068-250	2500	1529	1302				/	/
		1	2	3	4	5	6	7 Optional	8
Materiale	Material	S355	S355	S355	S355	S355	HB 400	HB 400	HB 400
Spessore	Thickness	15 mm	178 x 20 mm	10 mm	25 mm	25 mm	300 x 30 mm	250 x 25 mm	200 x 20 mm

Classe Class	Codice Code	L mm	Cap. SAE Lt	Peso Kg Weight	RL mm	P mm	P1 mm	Listino € Price List	Sottolama € Bolt on blade
T.69 - T.70 31 - 43 ton	WPC070-200	2000	1382	1113	985	740	1215	/	/
	WPC070-210	2100	1461	1153				/	/
	WPC070-220	2200	1540	1228				/	/
	WPC070-230	2300	1618	1268				/	/
	WPC070-240	2400	1697	1308				/	/
	WPC070-250	2500	1776	1348				/	/
	WPC070-260	2600	1854	1388				/	/
		1	2	3	4	5	6	7 Optional	8
Materiale	Material	S355	S355	S355	S355	S355	HB 400	HB 400	HB 400
Spessore	Thickness	15 mm	178 x 20 mm	10 mm	30 mm	25 mm	300 x 30 mm	250 x 25 mm	200 x 20 mm



BENNA PULIZIA FOSSI PROFILO OLANDA per escavatori
DITCH CLEANING BUCKET HOLLAND PROFILE for excavators
GODET CURAGE GRANDE CAPACITE' pour pelles
CAZO DE LIMPIEZA PROFILO "OLANDA" para excavadoras
GRABENRAUMLÖFFEL HOLLAND PROFIL für Bagger



Classe Class	Codice Code	L mm.	Cap. SAE Lt.	Peso Kg. Weight	RL mm.	P mm.	P1 mm.	Listino € Price List	Sottolama € Bolt on blade
T.45 5,3 - 7,0 ton	WPE045-140	1400	288	217	588	323	592	/	/
	WPE045-150	1500	310	226				/	/
	WPE045-160	1600	334	241				/	/
		1	2	3	4	5	6	7 Optional	8
Materiale	Material	S355	S355	S355	Hardox 400	S355	HB 400	HB 400	/
Spessore	Thickness	6 mm	114.3 x 12.5 mm	5 mm	15 mm	6 mm	200 x 20 mm	203 x 20 mm	/

Classe Class	Codice Code	L mm.	Cap. SAE Lt.	Peso Kg. Weight	RL mm.	P mm.	P1 mm.	Listino € Price List	Sottolama € Bolt on blade
T.48 - T.50 7,1 - 12,5 ton	WPE048-140	1400	348	240	649	358	651	/	/
	WPE048-150	1500	375	250				/	/
	WPE048-160	1600	403	265				/	/
	WPE048-180	1800	458	285				/	/
	WPE048-200	2000	513	320				/	/
		1	2	3	4	5	6	7 Optional	8
Materiale	Material	S355	S355	S355	Hardox 400	S355	HB 400	HB 400	/
Spessore	Thickness	6 mm	114.3 x 12.5 mm	8 mm	15 mm	6 mm	200 x 20 mm	203 x 20 mm	/

Classe Class	Codice Code	L mm.	Cap. SAE Lt.	Peso Kg. Weight	RL mm.	P mm.	P1 mm.	Listino € Price List	Sottolama € Bolt on blade
T.55 12,6 - 16 ton	WPE055-150	1500	585	412	830	445	830	/	/
	WPE055-160	1600	629	437				/	/
	WPE055-180	1800	717	477				/	/
	WPE055-200	2000	805	517				/	/
	WPE055-220	2200	893	557				/	/
		1	2	3	4	5	6	7 Optional	8
Materiale	Material	S355	S355	S355	Hardox 400	S355	HB 400	HB 400	/
Spessore	Thickness	8 mm	127 x 14.2 mm	8 mm	20 mm	8 mm	250 x 25 mm	250 x 25 mm	/



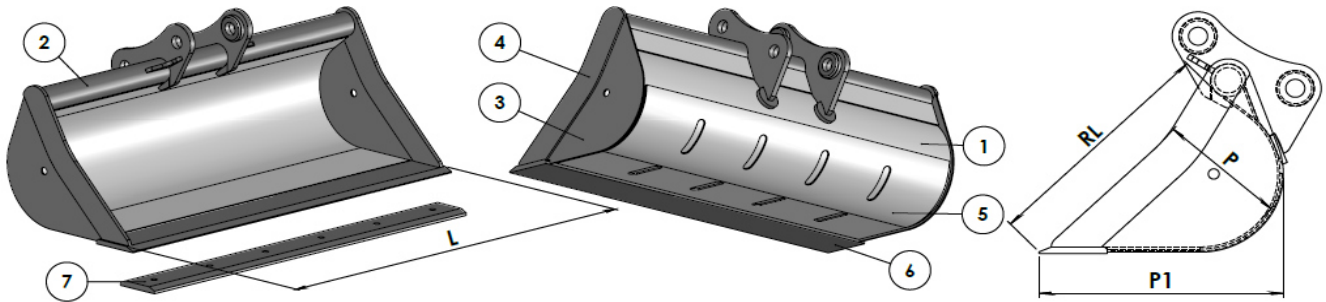
Classe Class	Codice Code	L mm.	Cap. SAE Lt.	Peso Kg. Weight	RL mm.	P mm.	P1 mm.	Listino € Price List	Sottolama € Bolt on blade
T.60 16 - 19 ton	WPE060-150	1500	677	446	900	473	895	/	/
	WPE060-160	1600	730	471				/	/
	WPE060-180	1800	832	511				/	/
	WPE060-200	2000	935	556				/	/
	WPE060-220	2200	1038	601				/	/
		1	2	3	4	5	6	7 Optional	8
Materiale	Material	S355	S355	S355	Hardox 400	S355	HB 400	HB 400	/
Spessore	Thickness	8 mm	127 x 14.2 mm	8 mm	20 mm	8 mm	250 x 25 mm	250 x 25 mm	/

Classe Class	Codice Code	L mm.	Cap. SAE Lt.	Peso Kg. Weight	RL mm.	P mm.	P1 mm.	Listino € Price List	Sottolama € Bolt on blade
T.65 19 - 23 ton	WPE065-160	1600	820	572	956	515	950	/	/
	WPE065-180	1800	937	622				/	/
	WPE065-200	2000	1054	672				/	/
	WPE065-220	2200	1171	722				/	/
	WPE065-240	2400	1288	772				/	/
	WPE065-250	2500	1346	802				/	/
		1	2	3	4	5	6	7 Optional	8
Materiale	Material	S355	S355	S355	Hardox 400	S355	HB 400	HB 400	/
Spessore	Thickness	8 mm	152.4 x 16 mm	8 mm	25 mm	8 mm	270 x 32 mm	250 x 25 mm	/

Classe Class	Codice Code	L mm.	Cap. SAE Lt.	Peso Kg. Weight	RL mm.	P mm.	P1 mm.	Listino € Price List	Sottolama € Bolt on blade
T.66 23 - 26 ton	WPE066-160	1600	930	590	1030	540	1006	/	/
	WPE066-180	1800	1066	650				/	/
	WPE066-200	2000	1200	700				/	/
	WPE066-220	2200	1334	750				/	/
	WPE066-240	2400	1470	800				/	/
	WPE066-250	2500	1535	830				/	/
		1	2	3	4	5	6	7 Optional	8
Materiale	Material	S355	S355	S355	Hardox 400	S355	HB 400	HB 400	/
Spessore	Thickness	8 mm	152.4 x 16 mm	8 mm	25 mm	8 mm	270 x 32 mm	250 x 25 mm	/



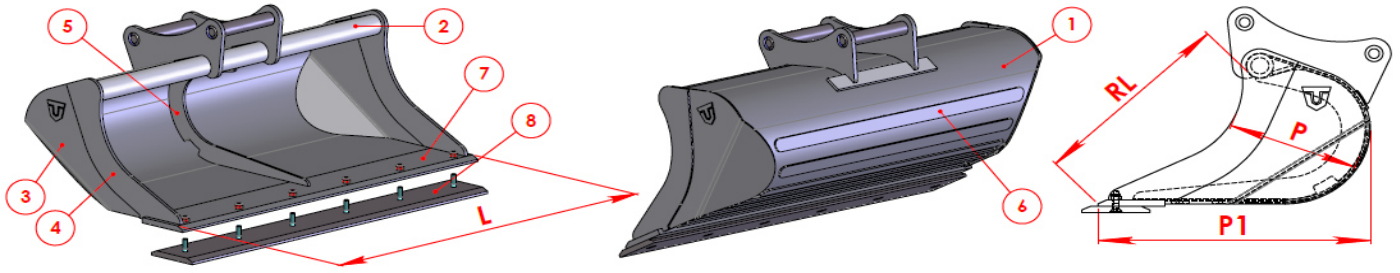
BENNA PULIZIA FOSSI PROFILO OLANDA per escavatori
DITCH CLEANING BUCKET HOLLAND PROFILE for excavators
GODET CURAGE GRANDE CAPACITE' pour pelles
CAZO DE LIMPIEZA PROFILO "OLANDA" para excavadoras
GRABENRAUMLÖFFEL HOLLAND PROFIL für Bagger



Classe Class	Codice Code	L mm.	Cap. SAE Lt.	Peso Kg. Weight	RL mm.	P mm.	P1 mm.	Listino € Price List	Sottolama € Bolt on blade
T.68 26 - 31 ton	WPE068-160	1600	1177	819	1155	625	1152	/	/
	WPE068-180	1800	1350	894				/	/
	WPE068-200	2000	1522	969				/	/
	WPE068-220	2200	1694	1044				/	/
	WPE068-240	2400	1867	1119				/	/
	WPE068-250	2500	1953	1156				/	/
		1	2	3	4	5	6	7 Optional	8
Materiale	Material	S355	S355	S355	Hardox 400	S355	HB 400	HB 400	/
Spessore	Thickness	10 mm	177.8 x 20 mm	10 mm	30 mm	10 mm	300 x 35 mm	250 x 25 mm	/

Classe Class	Codice Code	L mm.	Cap. SAE Lt.	Peso Kg. Weight	RL mm.	P mm.	P1 mm.	Listino € Price List	Sottolama € Bolt on blade
T.69 - T.70 31 - 43 ton	WPE069-160	1600	1330	938	1240	660	1235	/	/
	WPE069-180	1800	1528	1016				/	/
	WPE069-200	2000	1725	1094				/	/
	WPE069-220	2200	1922	1172				/	/
	WPE069-240	2400	2118	1250				/	/
	WPE069-250	2500	2216	1290				/	/
		1	2	3	4	5	6	7 Optional	8
Materiale	Material	S355	S355	S355	Hardox 400	S355	HB 400	HB 400	/
Spessore	Thickness	10 mm	177.8 x 20 mm	10 mm	30 mm	10 mm	300 x 35 mm	250 x 25 mm	/

BENNA PULIZIA FOSSI PROFILO LEVELLING per escavatori
DITCH CLEANING BUCKET LEVELLING PROFILE for excavators
GODET CURAGE PROFIL LEVELLING pour pelles
CAZO DE LIMPIEZA PROFILO LEVELLING para excavadoras
GRABENRAUMLÖFFEL LEVELLINGPROFIL für Bagger



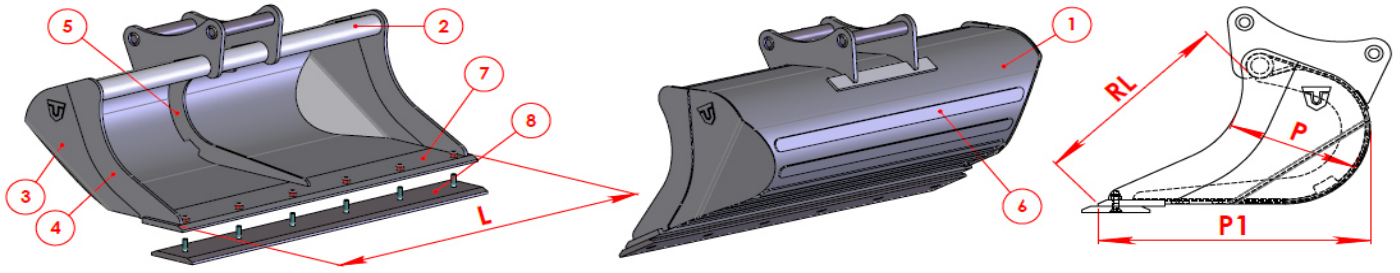
Classe Class	Codice Code	L mm.	Cap. SAE Lt.	Peso Kg. Weight	RL mm.	P mm.	P1 mm.	Listino € Price List	Sottolama € Bolt on blade
T.25 1,9 - 2,8 ton	WLB025-080	800	123	74	470	296	610	/	/
	WLB025-090	900	140	83				/	/
	WLB025-100	1000	158	92				/	/
	WLB025-110	1100	176	102				/	/
	WLB025-120	1200	194	111				/	/
		1	2	3	4	5	6	7	8 Optional
Materiale	Material	S355	S355	S355	S355	S355	S355	EN 250	HB 400
Spessore	Thickness	4 mm	60 x 10 mm	4 mm	10 mm	8 mm	5 mm	150 x 16 mm	152 x 16 mm

Classe Class	Codice Code	L mm.	Cap. SAE Lt.	Peso Kg. Weight	RL mm.	P mm.	P1 mm.	Listino € Price List	Sottolama € Bolt on blade
T.30 2,9 - 3,9 ton	WLB030-090	900	185	100	524	370	710	/	/
	WLB030-100	1000	209	112				/	/
	WLB030-110	1100	232	123				/	/
	WLB030-120	1200	256	134				/	/
	WLB030-130	1300	280	145				/	/
		1	2	3	4	5	6	7	8 Optional
Materiale	Material	S355	S355	S355	S355	S355	S355	EN 250	HB 400
Spessore	Thickness	5 mm	67 x 8 mm	5 mm	12 mm	10 mm	5 mm	150 x 16 mm	152 x 16 mm

Classe Class	Codice Code	L mm.	Cap. SAE Lt.	Peso Kg. Weight	RL mm.	P mm.	P1 mm.	Listino € Price List	Sottolama € Bolt on blade
T.35 4,0 - 5,2 ton	WLB035-100	1000	261	166	591	414	800	/	/
	WLB035-110	1100	291	184				/	/
	WLB035-120	1200	320	200				/	/
	WLB035-130	1300	350	217				/	/
	WLB035-140	1400	380	233				/	/
		1	2	3	4	5	6	7	8 Optional
Materiale	Material	S355	S355	S355	S355	S355	S355	EN 250	HB 400
Spessore	Thickness	6 mm	82 x 10 mm	6 mm	15 mm	12 mm	6 mm	150 x 20 mm	152 x 16 mm



BENNA PULIZIA FOSSI PROFILO LEVELLING per escavatori
DITCH CLEANING BUCKET LEVELLING PROFILE for excavators
GODET CURAGE PROFIL LEVELLING pour pelles
CAZO DE LIMPIEZA PROFILO LEVELLING para excavadoras
GRABENRAUMLÖFFEL LEVELLINGPROFIL für Bagger

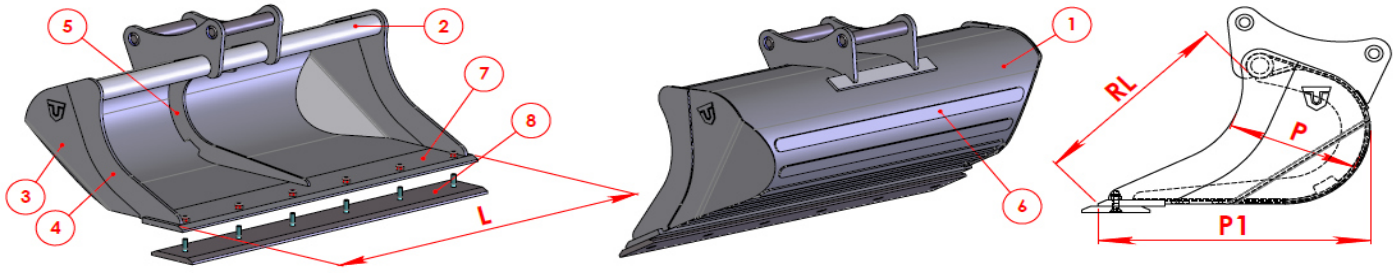


Classe Class	Codice Code	L mm.	Cap. SAE Lt.	Peso Kg. Weight	RL mm.	P mm.	P1 mm.	Listino € Price List	Sottolama € Bolt on blade
T.45 5,3 - 7,0 ton	WLB045-110	1100	346	208	645	447	870	/	/
	WLB045-120	1200	382	227				/	/
	WLB045-130	1300	418	246				/	/
	WLB045-140	1400	453	265				/	/
	WLB045-150	1500	489	284				/	/
		1	2	3	4	5	6	7	8 Optional
Materiale	Material	S355	S355	S355	S355	S355	S355	EN 250	HB 400
Spessore	Thickness	6 mm	89 x 10 mm	6 mm	15 mm	15 mm	8 mm	200 x 20 mm	203 x 20 mm

Classe Class	Codice Code	L mm.	Cap. SAE Lt.	Peso Kg. Weight	RL mm.	P mm.	P1 mm.	Listino € Price List	Sottolama € Bolt on blade
T.48 - T.50 7,1 - 12,5 ton	WLB048-130	1300	482	301	704	484	960	/	/
	WLB048-140	1400	524	324				/	/
	WLB048-150	1500	566	347				/	/
	WLB048-160	1600	608	371				/	/
	WLB048-170	1700	650	394				/	/
	WLB048-180	1800	690	429				/	/
		1	2	3	4	5	6	7	8 Optional
Materiale	Material	S355	S355	S355	S355	S355	S355	HB 400	HB 400
Spessore	Thickness	8 mm	114,3 x 12,5 mm	6 mm	15 mm	15 mm	8 mm	200 x 20 mm	203 x 20 mm



BENNA PULIZIA FOSSI PROFILO LEVELLING per escavatori
DITCH CLEANING BUCKET LEVELLING PROFILE for excavators
GODET CURAGE PROFIL LEVELLING pour pelles
CAZO DE LIMPIEZA PROFILO LEVELLING para excavadoras
GRABENRAUMLÖFFEL LEVELLINGPROFIL für Bagger

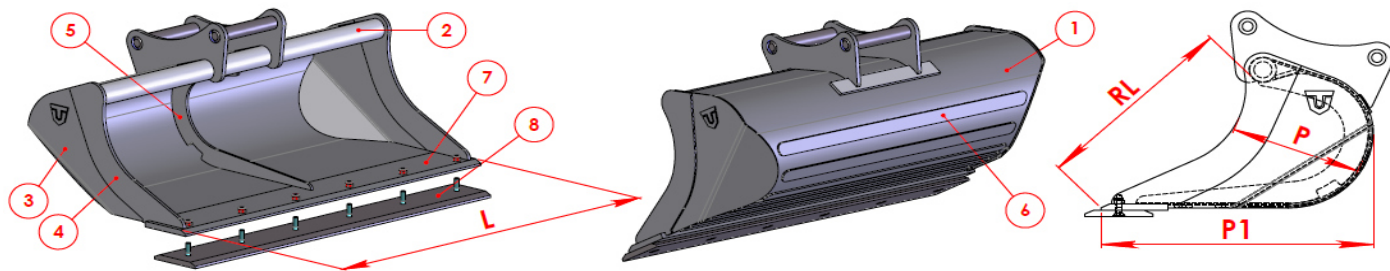


Classe Class	Codice Code	L mm.	Cap. SAE Lt.	Peso Kg. Weight	RL mm.	P mm.	P1 mm.	Listino € Price List	Sottolama € Bolt on blade
T.55 - T.60 12,6 - 19 ton	WLB060-150	1500	740	441	800	577	1120	/	/
	WLB060-160	1600	796	464				/	/
	WLB060-170	1700	852	486				/	/
	WLB060-180	1800	908	508				/	/
	WLB060-190	1900	963	535				/	/
	WLB060-200	2000	1100	552				/	/
		1	2	3	4	5	6	7	8 Optional
Materiale	Material	S355	S355	S355	S355	S355	S355	HB 400	HB 400
Spessore	Thickness	8 mm	127 x 14,2 mm	6 mm	20 mm	20 mm	8 mm	200 x 25 mm	203 x 20 mm

Classe Class	Codice Code	L mm.	Cap. SAE Lt.	Peso Kg. Weight	RL mm.	P mm.	P1 mm.	Listino € Price List	Sottolama € Bolt on blade
T.65 19 - 23 ton	WLB065-160	1600	902	574	849	610	1180	/	/
	WLB065-170	1700	965	609				/	/
	WLB065-180	1800	1028	645				/	/
	WLB065-190	1900	1091	681				/	/
	WLB065-200	2000	1155	717				/	/
	WLB065-210	2100	1250	744				/	/
		1	2	3	4	5	6	7	8 Optional
Materiale	Material	S355	S355	S355	S355	S355	S355	HB 400	HB 400
Spessore	Thickness	8 mm	127 x 14,2 mm	8 mm	25 mm	20 mm	10 mm	270 x 32 mm	203 x 20 mm



BENNA PULIZIA FOSSI PROFILO LEVELLING per escavatori
DITCH CLEANING BUCKET LEVELLING PROFILE for excavators
GODET CURAGE PROFIL LEVELLING pour pelles
CAZO DE LIMPIEZA PROFILO LEVELLING para excavadoras
GRABENRAUMLÖFFEL LEVELLINGPROFIL für Bagger



Classe Class	Codice Code	L mm.	Cap. SAE Lt.	Peso Kg. Weight	RL mm.	P mm.	P1 mm.	Listino € Price List	Sottolama € Bolt on blade
T.66 23 - 26 ton	WLB066-170	1700	1190	774	956	668	1310	/	/
	WLB066-180	1800	1270	820				/	/
	WLB066-190	1900	1349	865				/	/
	WLB066-200	2000	1428	911				/	/
	WLB066-210	2100	1508	956				/	/
		1	2	3	4	5	6	7	8 Optional
Materiale	Material	S355	S355	S355	S355	S355	S355	HB 400	HB 400
Spessore	Thickness	8 mm	152,4 x 16 mm	8 mm	25 mm	25 mm	12 mm	300 x 35 mm	250 x 25 mm

Classe Class	Codice Code	L mm.	Cap. SAE Lt.	Peso Kg. Weight	RL mm.	P mm.	P1 mm.	Listino € Price List	Sottolama € Bolt on blade
T.68 26 - 31 ton	WLB068-180	1800	1385	985	1003	710	1380	/	/
	WLB068-190	1900	1473	1039				/	/
	WLB068-200	2000	1561	1094				/	/
	WLB068-210	2100	1648	1149				/	/
	WLB068-220	2200	1736	1203				/	/
		1	2	3	4	5	6	7	8 Optional
Materiale	Material	S355	S355	S355	S355	S355	S355	HB 400	HB 400
Spessore	Thickness	10 mm	177,8 x 20 mm	10 mm	30 mm	25 mm	12 mm	300 x 35 mm	250 x 25 mm

