

JEC

Rotary lobe pumps JRZL



Description

Each feature of the JRZL rotary lobe pump has been designed to make pump disassembly faster, easier and cheaper. In this way cleaning and maintenance is done in the most efficient way.

Your benefits

- The forward directed seal position brings the seals into direct contact with CIP fluids
- Superior purity of the seal extends the seal life and prevents product contamination
- Excellent hygienic: Since the seals are located directly behind the rotors, no product trapping occurs
- Of course, rotary lobe pumps JRZL are also EHEDG certified!

Technical details

| | | | |
|---------------------|---------------------------------------|-------------------|------------------------------------|
| Max. flow | 1670 l/min | Max. viscosity | 1.000.000 mPas |
| Max. pressure | 20 bar | Temperature range | -10 - +180 °C |
| Max. rotation speed | 1000 rpm | Surface finish | Ra 0.6 µm (optional 0.4 µm) |
| Connections | DIN, ISO, Tri-Clamp, MSM, RJT, Flange | Certifications | 3A, EHEDG, FDA. EC 1935/2004, ATEX |

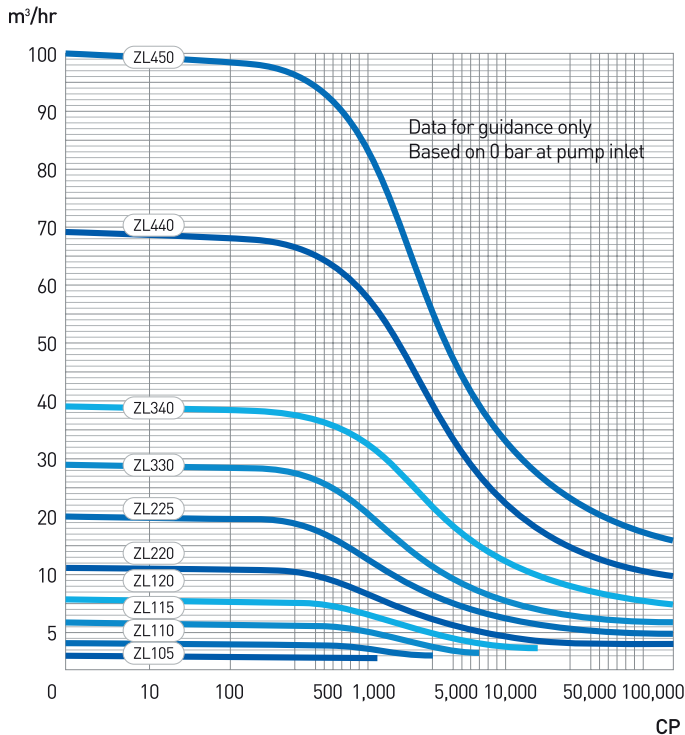
Summary

| Size | Model | Flow/rpm min-1 | Standard connection (mm) | Max. pressure (bar) | Max. rotation speed (rpm) |
|------|--------------|----------------|--------------------------|---------------------|---------------------------|
| 100 | ZL105-002-20 | 0,02 | 25 | 20 | 1000 |
| | ZL110-005-20 | 0,05 | 25 | 20 | 1000 |
| | ZL115-012-12 | 0,12 | 38 | 12 | 800 |
| | ZL120-021-08 | 0,21 | 50 | 8 | 800 |
| 200 | ZL220-040-12 | 0,40 | 50 | 12 | 700 |
| | ZL225-062-08 | 0,62 | 63 | 8 | 700 |
| 300 | ZL330-102-12 | 1,02 | 76 | 12 | 600 |
| | ZL340-144-08 | 1,44 | 100 | 8 | 600 |
| 400 | ZL440-227-12 | 2,27 | 100 | 12 | 500 |
| | ZL450-334-08 | 3,34 | 125 | 8 | 500 |

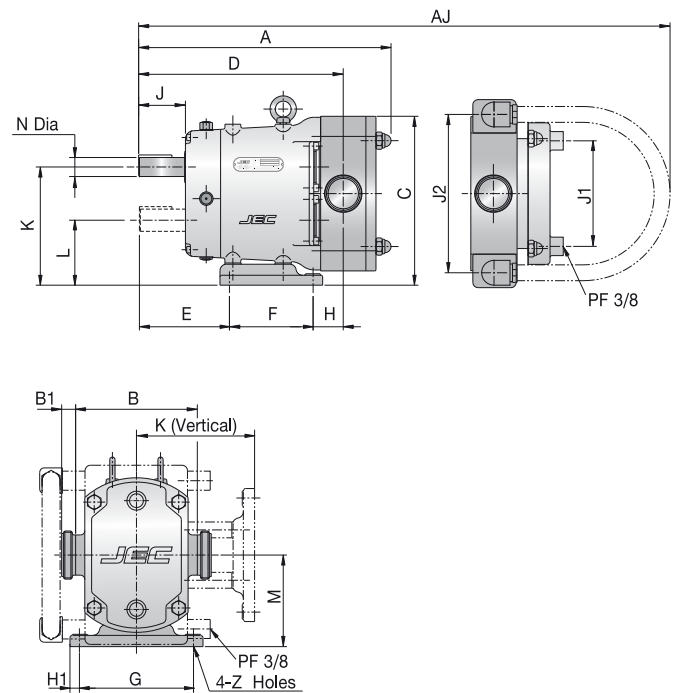
JEC

Rotary lobe pumps JRZL

Curve



Dimensions



Summary

| Model | Connections | Dimensions in mm | | | | | | | | | | | | | | | | | | | |
|--------------|-------------|------------------|-----|-----|-----|-----|-----|-----|-----|----|----|-------|-------|-----|----|----|----|----|-----|-----|-----|
| | | A | B | C | D | E | F | G | H | H1 | J | K | L | M | N | X | Y | Z | AJ | J1 | J2 |
| ZL105-002-20 | 1" | 264 | 152 | 198 | 219 | 96 | 84 | 134 | 39 | 12 | 47 | 141 | 77 | 109 | 22 | 34 | 8 | 9 | 425 | 122 | 180 |
| ZL110-005-20 | 1" | 264 | 152 | 198 | 219 | 96 | 84 | 134 | 39 | 12 | 47 | 141 | 77 | 109 | 22 | 34 | 8 | 9 | 425 | 122 | 180 |
| ZL115-012-12 | 1½" | 274 | 152 | 198 | 222 | 96 | 84 | 134 | 42 | 12 | 47 | 141 | 77 | 109 | 22 | 34 | 8 | 9 | 430 | 122 | 180 |
| ZL120-021-08 | 2" | 290 | 152 | 198 | 229 | 96 | 84 | 134 | 49 | 12 | 47 | 141 | 77 | 109 | 22 | 34 | 8 | 9 | 440 | 122 | 180 |
| ZL220-040-12 | 2" | 377 | 188 | 257 | 307 | 129 | 132 | 180 | 46 | 15 | 59 | 185 | 101 | 143 | 32 | 53 | 10 | 11 | 605 | 172 | 235 |
| ZL225-062-08 | 2½" | 400 | 188 | 257 | 320 | 129 | 132 | 180 | 54 | 15 | 59 | 185 | 101 | 143 | 32 | 53 | 10 | 11 | 630 | 172 | 235 |
| ZL330-102-12 | 3" | 475 | 242 | 344 | 389 | 154 | 160 | 242 | 75 | 22 | 70 | 243,5 | 128,5 | 186 | 45 | 57 | 14 | 13 | 720 | 246 | 308 |
| ZL340-144-08 | 4" | 500 | 242 | 344 | 402 | 154 | 160 | 242 | 88 | 22 | 70 | 243,5 | 128,5 | 186 | 45 | 57 | 14 | 13 | 744 | 246 | 308 |
| ZL440-227-12 | 4" | 620 | 324 | 458 | 505 | 198 | 210 | 320 | 97 | 30 | 80 | 324 | 170 | 247 | 55 | 67 | 14 | 15 | 830 | 358 | 420 |
| ZL450-334-08 | 5" | 655 | 324 | 458 | 522 | 198 | 210 | 320 | 121 | 30 | 80 | 324 | 170 | 247 | 55 | 67 | 14 | 15 | 896 | 358 | 420 |

All dimensions in mm (dimensions are approximate values)

Find your local supplier at www.verderliquids.com

For construction, installation and floor mounting drawings please contact your local authorised distributor.

VERDER
passion for pumps

