



RM-5800II

POS Scale

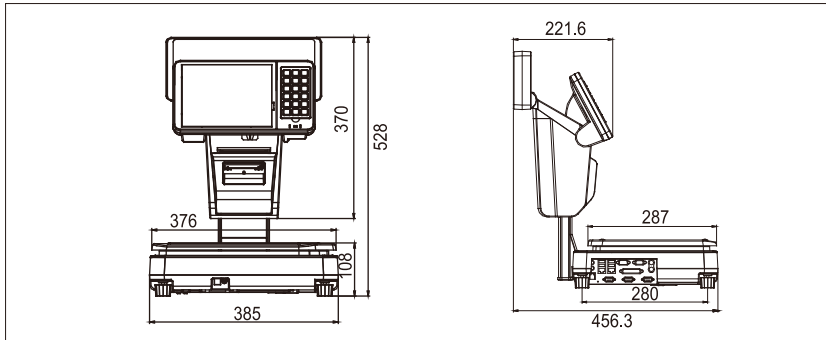
Powerful partner in your retail business

— Run your accustomed POS software on the RM5800II to process the weighed food items

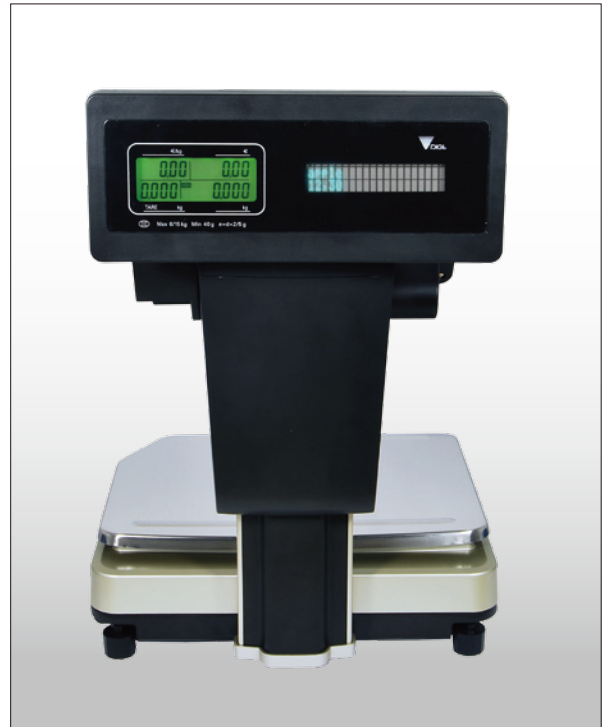


*Searching for
a New Balance*

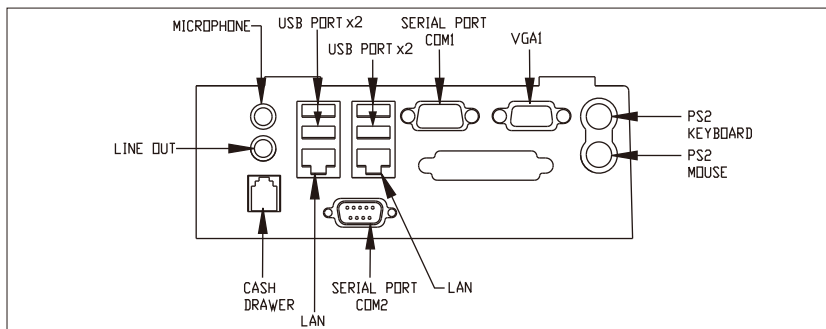
External Dimensions (mm)



Customer Display



I/O Ports



Basic Specifications

Model	RM-5800II		
Capacity	3/6kg	6/15kg	15/30kg
Interval	1/2g	2/5g	5/10g
Hardware	Mainboard	Mini ITX Mainboard	
	CPU	Onboard Intel® Atom™ Processor N270, on-die 512-kB, 8-way L2 cache Supports a system bus (FSB) of 533 MHz	
	Chipset	The 945GSE Northbridge, ICH7-M Southbridge	
	Memory	1 x DDR2 533 DIMM socket (Maximum memory size up to 2 GB)	
	Graphics	Integrated Graphics(166-MHz core render clock and 200-MHz core display clock at 1.05-V core voltage)	
	Audio	5.1 Channel High Definition Audio Codec	
	USB	USB 1.1 and 2.0 host controllers	
	LAN	Dual LAN (RTL8102E 10/100M bit, RTL8111C Giga bit)	
	PATA	1 X UltraDMA 66/100/133 Connector(Up to two IDE devices supported)	
	SATA	Two SATA ports with independent DMA operation	
I/O Ports (Back Panel)	1 x PS2 mouse port 1 x PS2 keyboard port 1 x VGA port 2 x RJ-45 LAN ports 4 x USB 2.0/1.1 ports 2 x Serial port 2 x Audio jacks: line-out, microphone 1 x Parallel port(Internal Printer Used)		
	Form Factor	17 cm X 17 cm Mini-ITX (6 layers)	
Display	Main Display	8.4 inches TFT LCD Panel and LCD with back-light (Tare: 4 digits, Weight: 6 digits, Unit Price: 5digits, Total Price: 6 digits)	
	Customer Display	20 x 2 VFD and LCD with back-light (Tare: 4 digits, Weight: 6 digits, Unit Price: 5digits, Total Price: 6 digits)	
Printer	Model	Thermal Printer with Auto-cutter	
	Resolution	8 dot / mm	
	Printing width	72 mm	
	Paper width	80 mm	
	Print speed	Maximum 220 mm / sec	
	Life span	100 million pulses, 100km or more	
Power Source	AC 88 ~ 132V, 50/60 Hz (Factory preset) AC 176 ~264V, 50/60 Hz (Factory preset)		
Operating Temperature	-10°C ~ +40°C		
Operating Humidity	15% ~ 85% RH		

*Specifications are subject to change without prior notice.

TERAOKA SEIKO CO., LTD.

13-12 Kugahara 5-chome, Ohta-ku,
Tokyo 146-8580, JAPAN
TEL: +81-3-3752-2131
FAX: +81-3-3752-2801
URL: <http://www.digisystem.com>
E-MAIL: info@hq.digi.co.jp

TERAOKA WEIGH-SYSTEM PTE LTD.

4, Leng Kee Road, #06-01, SIS Building,
SINGAPORE 159088
TEL: +65-6861-3911
FAX: +65-6861-3144

SHANGHAI TERAOKA ELECTRONIC CO., LTD.

TINGLIN INDUSTRY DEVELOPMENTAL ZONE,
JINSHAN COUNTY, SHANGHAI 201505
TEL: +86-21-57234888
FAX: +86-21-57233049
<http://www.digisystem.com.cn>