

Barriere per bordo laterale su rilevato

Single sided guardrails



steel safety on roadways

Require Marcegaglia Buildtech full range of steel road safety barriers: from the **steel partner**, steel safety on roadways.

Marcegaglia Buildtech safety barriers solutions are part of Marcegaglia steel production chain and are engineered, assembled then **tested** in order to comply with specific **norm requirements**.

Certificazioni

Certifications - Zertifizierungen - Certifications - Certificaciones

- **RINA ISO 9001:2008** certificato N. 12370/05/S
- **IQNet - CISQ/RINA** Quality Management System **ISO 9001:2008** Registration N. IT-42009
- **Certificati CE** di costanza della prestazione

Crash tests

Crash tests - Crash-Tests - Essais de chocs - Crash tests



Classe H1 Bordo Laterale - Barriera 2 onde singola su rilevato W5

Class H1 Roadside - 2-waves single sided guardrail W5

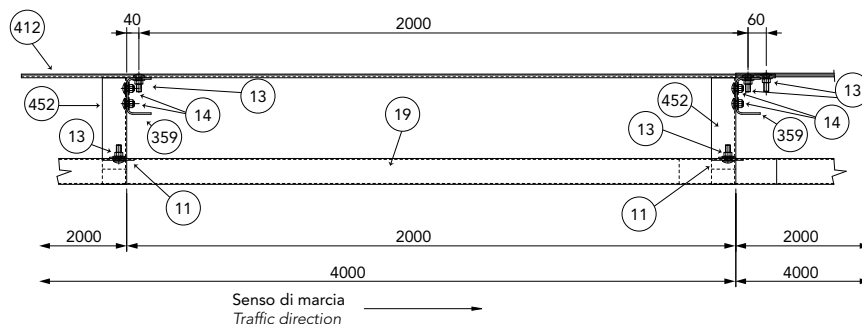
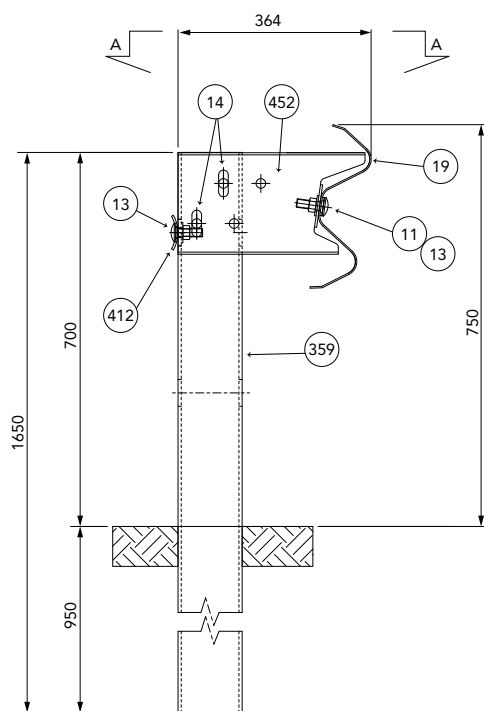
Aufhaltestufe H1 für rammfähige Böden - 2-welliges Rückhaltesystem W5

Classe H1 Bord latéral - Glissière 2 crosses simple sur remblai W5

Clase H1 Borde lateral - Barrera de doble onda simple sobre base terreno W5

H1-W5

2-waves



Caratteristiche Characteristics, Eigenschaften, Caractéristiques, Características

Altezza fuori terra <i>Height above ground level, Höhe über Grundboden, Hauteur hors sol, Altura sobre el suelo</i>	750 mm
Profondità d'infissione <i>Depth of penetration, Rammtiefe, Profondeur de piling du poteau, Longitud hincada</i>	950 mm
Ingombro trasversale <i>Overall width, Gesamtbreite, Grosseur hors tout, Anchura total</i>	364 mm
Interasse pali <i>Post spacing, Steherabstand, Distance entre poteaux, Distancia entre postes</i>	2000 mm

Rapporti di prova Crash test reports, Testberichte, Comptes rendus d'essais, Relaciones de pruebas

Test n.	Facility	Test	Type	Barrier length m	Mass kg	Speed km/h	ASI max 1.4	THIV max 33 km/h	D m	Vi m	W m
X63.02.E02	TÜV	TB42	Laterale 15°	88	10.000	70			1,2	1,3	1,4=W5
X63.01.E02	TÜV	TB11	Laterale 20°	88	900	100	0,94=A	26,28	0,6		0,9=W3

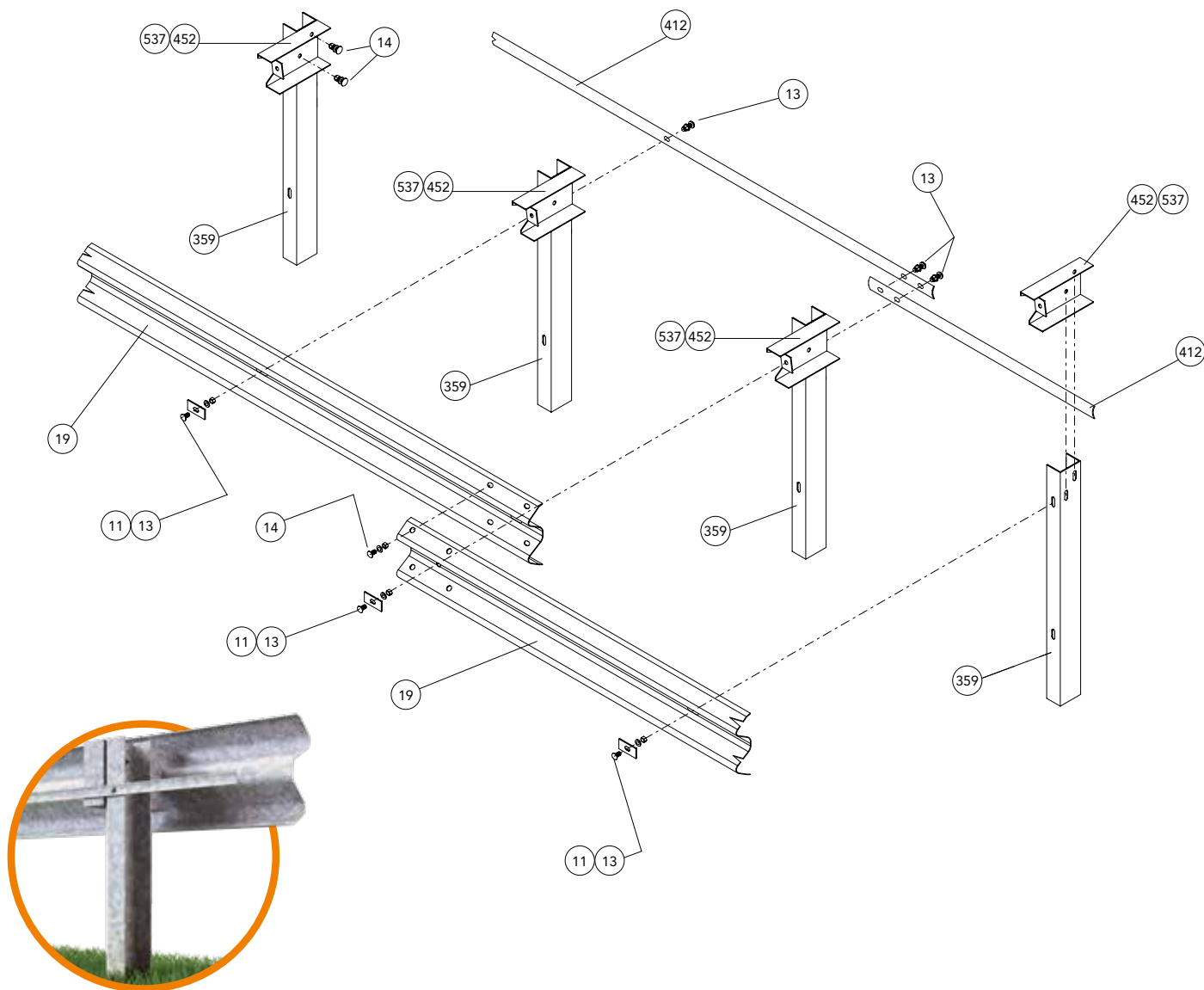
Sales office:

MARCEGAGLIA BUILDTECH guardrail division
 strada Roveri, 4
 15068 Pozzolo Formigaro, Alessandria - Italy
 phone +39 . 0143 77 61 • fax +39 . 0143 77 63 53

guardrail@marcegaglia.com
 www.marcegagliabuildtech.it

Plants:

MARCEGAGLIA BUILDTECH Pozzolo Formigaro
 strada Roveri, 4
 15068 Pozzolo Formigaro, Alessandria - Italy
 phone +39 . 0143 77 61 • fax +39 . 0143 77 63 53



Componenti Components, Bauteile, Composants, Elementos

	Descrizione Description		Materiale Material
452 537	Distanziatore europeo <i>European spacer, Europ. Abstandhalter, Entretoise UE, Separador europeo</i>	Th=4 mm (left/right)	S 275 JR
412	Tirante posteriore <i>Rear reinforcement, Hintere Zugstange, Renfort arrière, Tirante trasero</i>	66x4140x4 mm	S 275 JR
359	Palo "U" <i>U-post, U-Steher, Poteau en U, Poste "U"</i>	120x80 Th=5 H=1650 mm	S 275 JR
19	Fascia 2 onde <i>2-waves beam, 2-wellige Leitschiene, Glissière 2 crosses, Banda doble onda</i>	L=4316 (2000x2) Th=3 mm	S 275 JR
14	Bullone completo <i>Bolt with nut and washer, Schraube komplett, Boulon complet, Tornillo completo con tuerca y arandela</i>	M16x30 mm	Classe 8.8
13		M16x50 mm	Classe 8.8
11	Piastrina copriasola <i>Slot covering plate, Lochabdeckplatte, Plaque de couverture fente, Placa cubre-ranura</i>	100x40x4 mm	S 275 JR