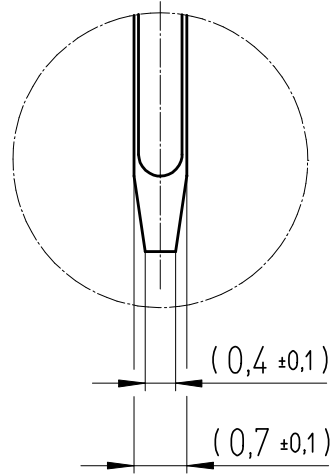


Layout top view



- Samples can deviate in the execution from the serie.

- Dimensions and tolerances can be specified only after the testing of the devices for the mass production definitely

Tab material: Stainless steel

All framed values will be used for dimension checking !

Rev. ○	Rev. ○	Rev. ○	Rev. ○		Customer's Approval		
Rev. ○	Rev. ○	Rev. ○	Rev. ○		Date		
Rev. ○	Rev. ○	Rev. ○	Rev. ○		Signature		
Titel: <b>CR1025FV-LF</b>				Scale 2:1	Drawn	21.12.04	SRi
					Checked	07.02.05	MHo
					Approved		
				CH-4452 Itingen Switzerland		3.8697.4-	