

## EPJ-60R

Heavy duty end-control rider pallet truck ideal for manufacturing and large warehouse applications.

### CAPACITY

- 6000 lb (2727 kg) at 24" (610 mm) load center

### BATTERY

- Compartment dimensions: 31.1" x 13.1" x 31.6" (790 x 333 x 803 mm)
- Min/max battery weight: 975/1500 lb (443/682 kg)
- Connector: Anderson 175 Gray – A-11

### SPEED

- **EMPTY:** 0 - 9.0 mph (14.4 kph)
- **LOADED:** 0 - 6.5 mph (10.5 kph)

### TIRES / WHEELS

- **DRIVE:** 10" x 4" (254 x 102 mm) polyurethane
- **STABILITY CASTER WHEELS:** (2) 3.9" x 2.5" (99 x 66.5 mm) polyurethane
- **LOAD:** (2) 3.25" x 6.5" (83 x 165 mm) polyurethane

### HYDRAULICS

- Center mounted lift cylinder
- Pump unit including motor, hydraulic reservoir, solenoid, and gear pump
- Integral pressure compensated flow control valve regulates lowering speed

### ELECTRICAL

- 24-Volt programmable ZAPI traction control and matching drive motor provides high performance throughout the entire speed range
- Separately fused power control circuits
- Quick disconnect EPD power cut off
- Hour meter / battery discharge indicator combination gauge
- Power configurations and diagnostic features
- Travel speed remains constant relative to throttle position

### BRAKES

- 24-Volt regenerative electromagnetic brake
- Brake is applied when control arm is in the vertical or horizontal handle position
- Neutral braking resists rollback on ramps

### OPERATION / CONTROLS

- Large operator platform for increased comfort and productivity
- Ergonomic operator handle with travel, lift, and lower functions
- Microcellular rubber floor mat for improved operator comfort
- Large thumb control lever for forward and reverse travel allows travel as a rider truck or walkie



- Angled, one piece power head cover
- Smooth urethane high speed grab bar for operator security

### TRANSMISSION

- Vertically mounted drive motor mounted to gear housing
- Oil-bathed hypoid bevel gear drivetrain with tapered roller bearings
- State-of-the-art optimized gear technology provides minimal envelope circle, zero maintenance, and low noise level

### CASTER SYSTEM

- Heavy duty spring loaded, articulating systems designed to stabilize truck performance

### FORK ASSEMBLY

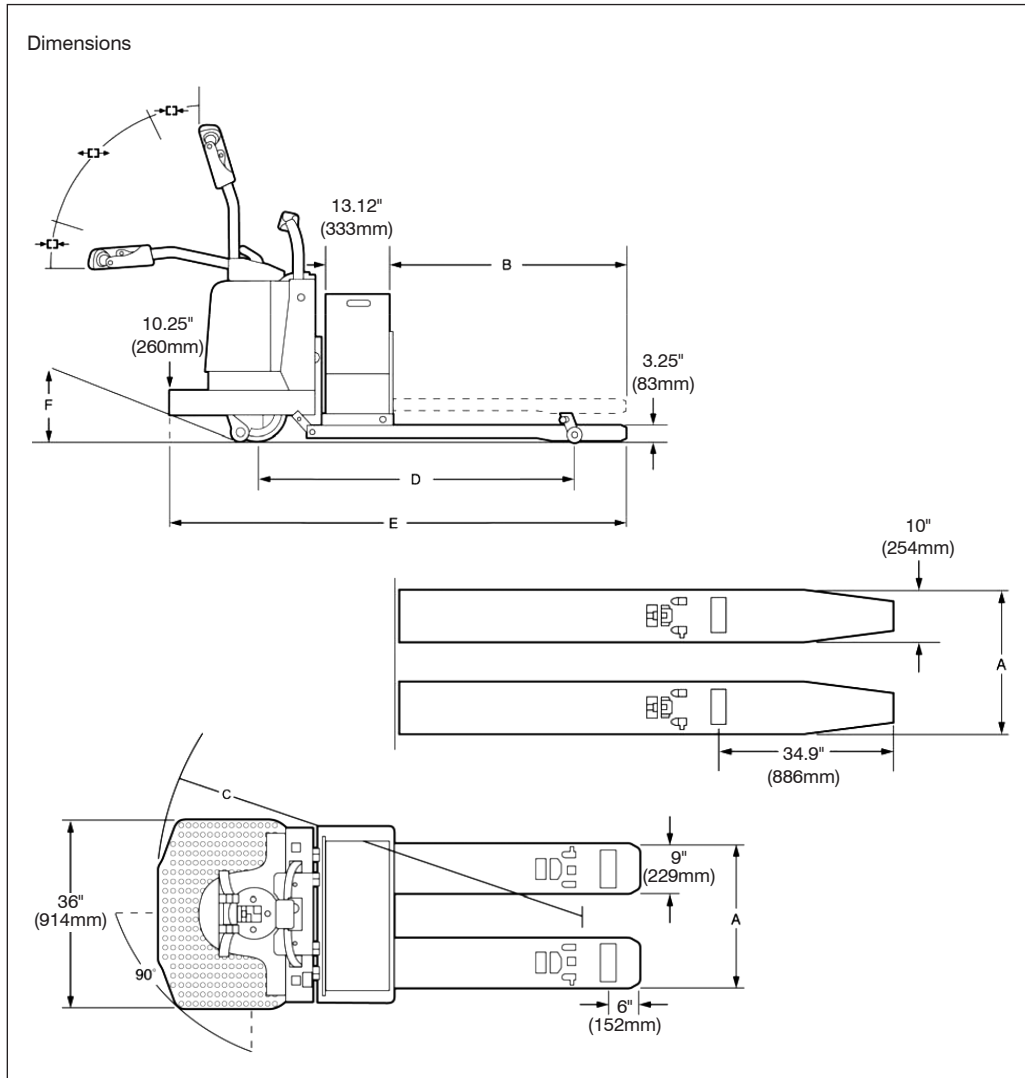
- Pallet entry slide allows easy pallet entry by lifting the fork up and over bottom board
- Eight easily accessed grease zerks for ease of maintenance
- Tapered extended fork tip design is available on double pallet handling models

### ACCESSIBILITY

- Durable composite single piece cover exposes major components for inspection and maintenance

### STANDARD EQUIPMENT

- Large AC traction motor
- Tapered fork tips with entry skid plate
- Programmable performance travel / plugging / braking
- Ergonomic high speed bar



Gradeability	
Without Load	15%
With Load	8%
Travel Power Head First - Variable	
Empty	0 to 9.0 mph
Loaded	0 to 6.5 mph
Travel Forks First - Variable	
Empty	0 to 7.1 mph
Loaded	0 to 5.4 mph
Lowered Fork Height	
3.25"	83 mm
Maximum Lift Height	
5.5"	140 mm
Extended Fork Height	
8.25"	210 mm
Platform Step Height	
10.25"	260 mm



Model#	Forks	Fork Width	Actual Fork Length	Turning Radius	Wheelbase	Overall Length	Grade Clearance	Weight <sup>3</sup>	
		A	B	C	D	E	F	lb	kg
Fork Dimensions: 27" (686 mm) Wide									
EPJ-60R	27" x 36" (686 x 914 mm)	27" (686 mm)	35.5" (902 mm)	68.9	55.8" (1417 mm)	80.1" (2035 mm)	38%	1175	534
	27" x 48" (686 x 1219 mm)		46.9" (1191 mm)	80.3	67.8" (1722 mm)	91.5" (2324 mm)	30%	1254	569
	27" x 60" (686 x 1524 mm)		59.5" (1511 mm)	91.2	79.8" (2026 mm)	104.1" (2644 mm)	25%	1354	614
EPJ-60R <sup>2</sup>	27" x 96" (686 x 2438 mm)	28" (711 mm)	95.6" (2428 mm)	129.0	115.8" (2941 mm)	140.2" (3561 mm)	17%	1595	723

