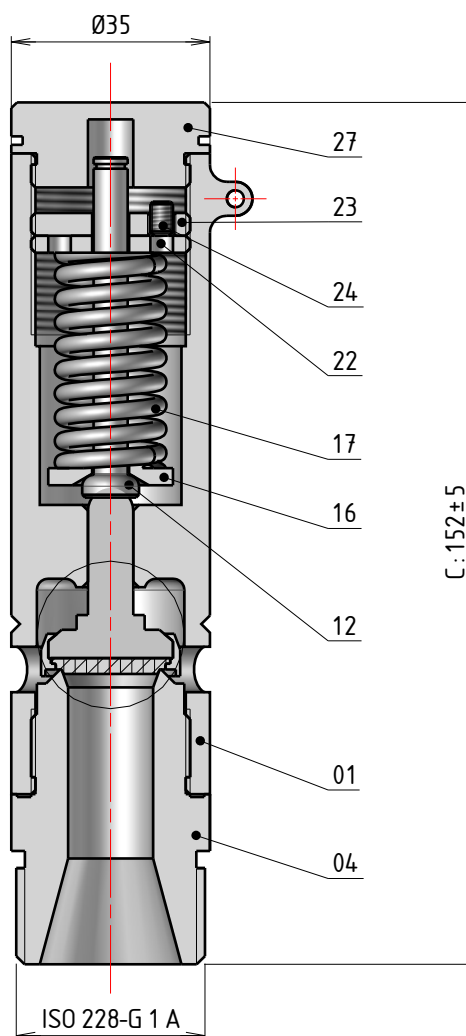
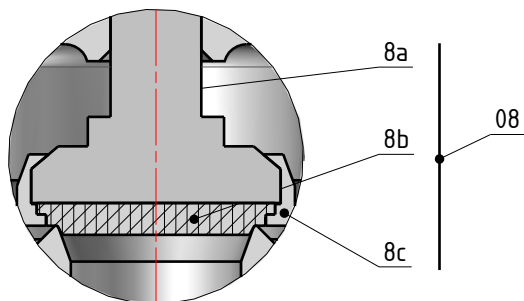


DETAIL CLAPET/DISC



ENTREE / INLET	FILETEE / THREADED MALE 1" GAZ / BSPP - PN 63
SORTIE / OUTLET	ECHAPPEMENT LIBRE / ATMOSPHERE
MASSE / WEIGHT	0,83kg
SECTION DE PASSAGE / CROSS SECTION	S=177mm <sup>2</sup>
DIAMETRE DE PASSAGE / ORIFICE	Ø15mm
DIMENSIONS	mm
ECHELLE / SCALE	3 : 4

27	1	BOUCHON / CAP	1.4404 / X2CrNiMo17-12-2 (AISI 316L)
24	1	VIS SANS TÊTE DE BLOCAGE / SCREW	A2 - 70 / INOX / STAINLESS STEEL
23	1	CONTRE ECROU DE VIS DE REGLAGE / LOCK NUT	1.4404 / X2CrNiMo17-12-2 (AISI 316L)
22	1	VIS DE REGLAGE / ADJUSTMENT SCREW	1.4404 / X2CrNiMo17-12-2 (AISI 316L)
17	1	RESSORT DE COMPRESSION / SPRING	1.4310 / X10CrNi18-8 (AISI 302)
16	1	COUPELLE INFERIEURE / UNDER SPRING PLATE	1.4404 / X2CrNiMo17-12-2 (AISI 316L)
12	1	TIGE / STEM	1.4404 / X2CrNiMo17-12-2 (AISI 316L)
8c	1	DEFLECTEUR / DISC-HOLDER	1.4404 / X2CrNiMo17-12-2 (AISI 316L)
8b	1	PASTILLE / SEAL	PTFE CHARGE CARBONE 25% / 25% CARBON FILLED PTFE
8a	1	CLAPET / DISC	1.4404 / X2CrNiMo17-12-2 (AISI 316L)
08	1	ENSEMBLE CLAPET SERTI COMPOSE DE / CRIMPED DISC SET COMPOSED OF :	
04	1	RACCORD SIEGE / SEAT	1.4404 / X2CrNiMo17-12-2 (AISI 316L)
01	1	CORPS / BODY	1.4408 / GX5CrNiMo19-11-2 (CF8M)
Rep./Item	Qté/Qty	Désignation/Description	Matière/Material