

MPM4760 Pressure Transmitter



Features

- Precise digital temperature compensation, wider compensation range;
- Optional data display(max. and min. measure value, percentage and output current display);
- Special wider temperature LCD indicator(-30°C ~80°C);
- 2-wire 4mA~20mA DC current loop output;
- RS485 communication protocol;
- No power calibration, range shrinking, factory value restoring available;
- Compact size, max. diameter only 76mm;
- Indicator rounded clockwise or unclockwise 90°, all kinds of interfaces available;
- Battery power supply available.

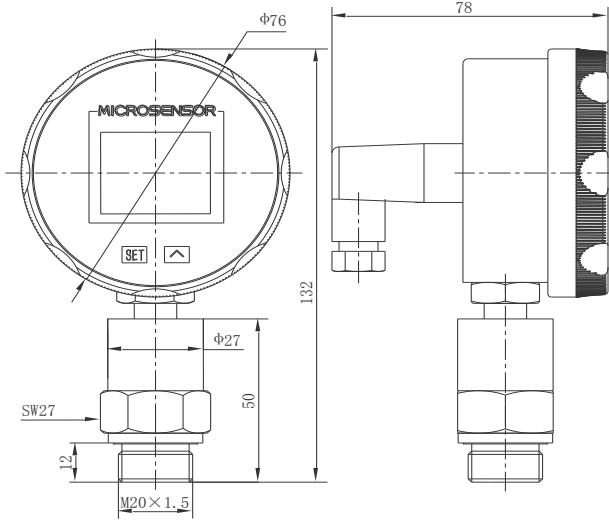
Introduction

MPM4760 Pressure Transmitter is a new-developed digital intelligent transmitter with high accuracy & good stability, and can provide prompt measurement and displaying with the update of measured differential pressure. The transmitter adopts the latest research results of special wide temperature LCD display and digital technology in sensor manufacture industry, combining with the most advantaged production technologies of piezoresistive pressure transmitters, precise digital temperature compensation and non-linearity modification technology to ensure the high accuracy and good stability of pressure measurement. The transmitter strictly conforms to ISO9000 international quality production system, could be used for the precise measurement of flowing pressure in various industries.

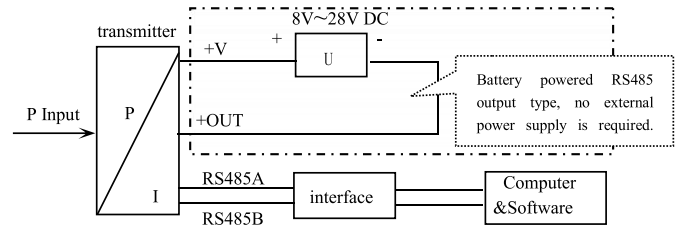
Specification

Measure range	-1bar...0bar~0.1bar...1000bar
Overpressure	1.5 times FS or 1100bar (Take the minimum value)
Total Accuracy ^①	±0.25%FS
Stability	±0.2%FS/YEAR
Compensated Temp.	-10°C ~70°C
Working Temp.	-30°C ~80°C
Storage Temp.	-40°C ~85°C
Power Supply	8V~28V DC or Battery supply
Output signal Standard	analog 4mA~20mA DC, 2-wire; digital RS485 interface
Battery supply with RS485 output	digital RS485 interface
RS485 interface	ASCII agreement or MODBUS RTU, BUS with 99 transmitters
Load Resistance (Ω)	(U-8V)/0.02A, U is power voltage(standard)
Display Range	-19999~19999 LCD Display
Insulation	50V, 100M
Shock	20g, 20Hz~5000Hz
Impact	20g, 11ms
Protection	IP65
Weight	~420g
Housing	stainless steel
Diaphragm	stainless steel 316L
O-Ring	Viton

Outline Construction and Installation(Unit:mm)



The electric connection only to RS485 is to see below:

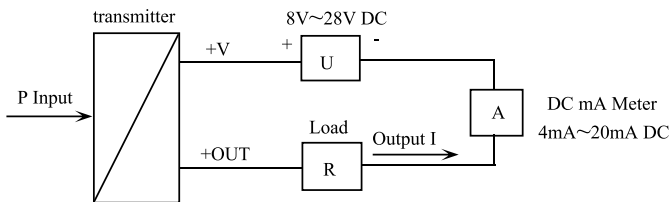


Assistant Software MS Setonline Software. Through RS485 conversation module, the user could read inner basic information for RS485 interface transmitter (Includes model number, ID number, range, unit, etc.) and display pressure value, reset operation, set analog output, set meter address, etc.

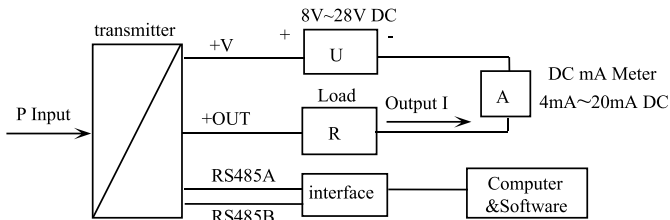
Communication connection

Output Signal	Function	Pins	Cable Color
4mA~20mA DC, 2-wire	+V	1	Black
	+OUT	2	Red
Communication interface	RS485A	3	Yellow
	RS485B	⊥	White

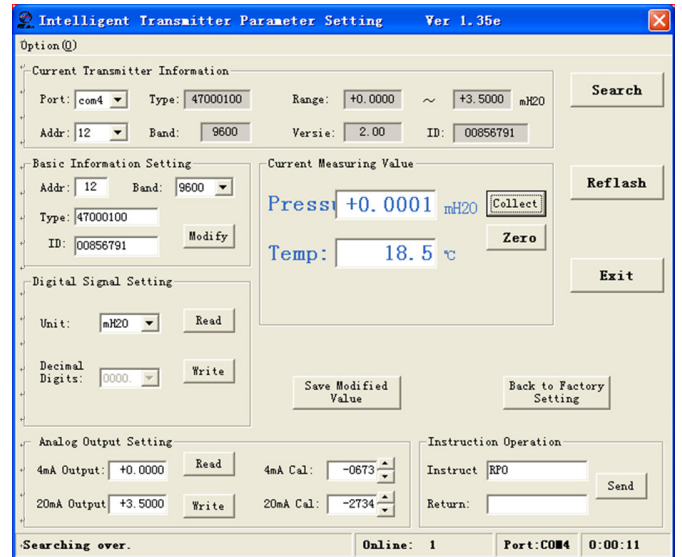
The electrical connection of transducer with 2-wire, 4mA~20mA DC output to see below.



The electrical connection of transducer with 4mA~20mA ADC output and RS485 to see below.



when 4mA~20mA DC output and RS485 are used at the same time, signal 485 may interfere 4mA~20mA DC output signal. The influence is related to communication speed and frequency.



Note : MS Setonline Software can be downloaded on our website: www.microsensor.cn

Order Guide

MPM4760		Differential Pressure Transmitter				
Range	-1bar...0bar~0.1bar...1000bar					
[0~X]bar	X: the actual measured pressure					
	Code	Power Supply				
	V _d	8V~28V DC				
	V _b	Battery power supply				
	Code	Output signal				
	E	4mA~20mA DC(@V _d)				
	R ₄	ASCII agreement(@V _d or V _b)				
	R ₈	MODBUS RTU(@V _d or V _b)				
	Code	Construction material				
		Diaphragm	Pressure port	Diaphragm		
	22	SS 316L	SS	SS		
	24	SS 316L	SS 316L	SS 316L		
	Code	Others				
	C ₁	M20×1.5 male, face type seal				
	C ₃	G1/2 male				
	C ₄	G1/4 female				
	C ₅	M20×1.5 male, waterline seal				
	PC ₁	PC ₁ Flush diaphragm, M20×1.5 male				
	PC ₃	PC ₃ Flush diaphragm, G1/2 male				
	G	Gauge				
	S	Sealed gauge				
	A	Absolute				
MPM4760	[0~1]bar	V _d	ER ₄	22	C ₄	the whole spec.

Notes:

1. Battery powered products have no output of 4mA~20mA DC;
2. The measurement range of flush diaphragm type transmitter is 0 ~ 0.7bar...350bar.
3. The battery is 3.6V lithium battery module;
4. For special requirements, please contact us and specify them in the order.