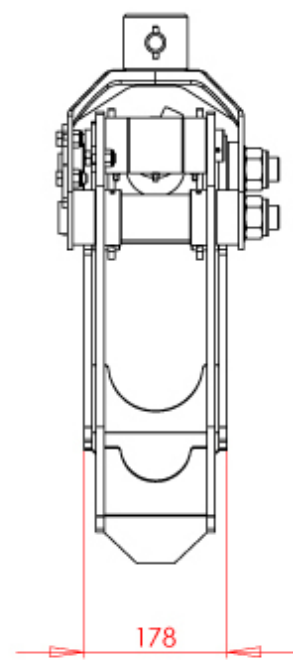
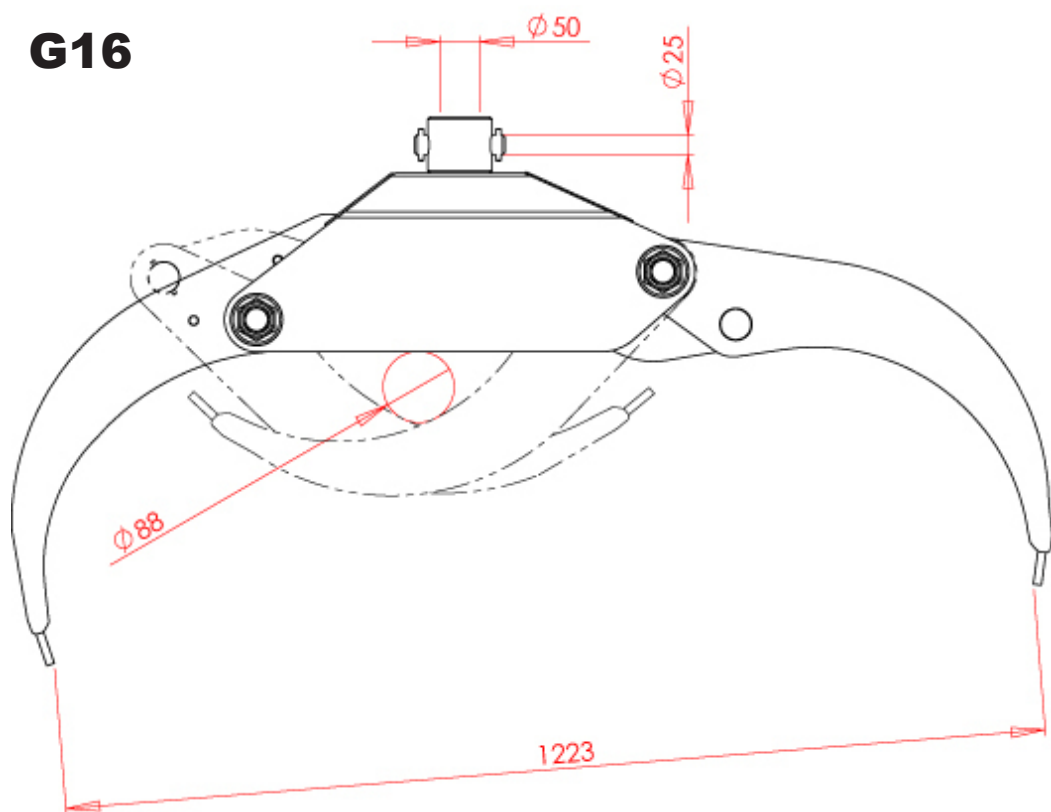
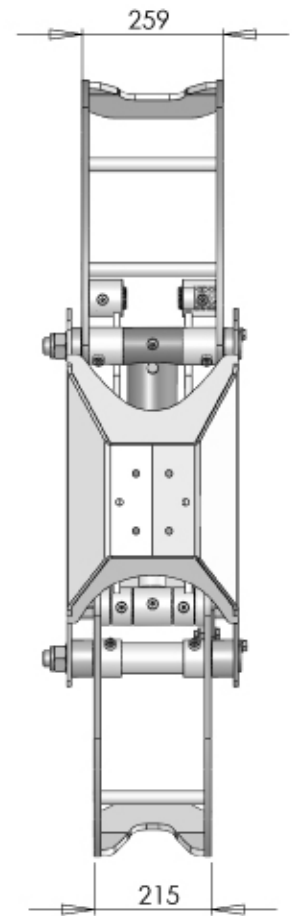
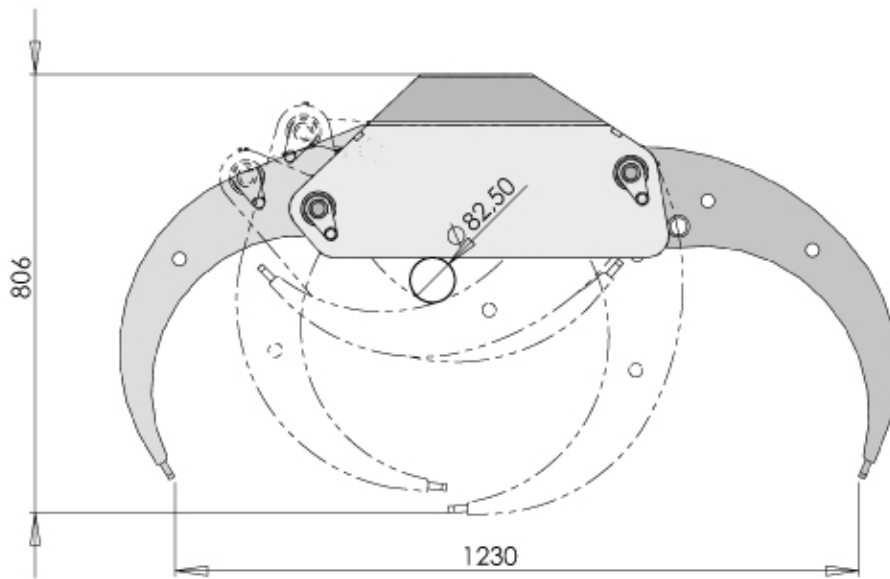


**G16**



# G21

D80 cylinder



**G23**

