

Diaphragm Pump 22 Series

Features & Benefits

- Positive displacement pump
- Can run dry
- Quiet operation
- Available demand and bypass
- Industry standard mount pattern

Typical Applications

- Marine/RV
- Water Treatment/RO
- Beverage/Food Service
- Distillation Equipment
- Agricultural Spraying
- General Industrial
- Automotive

PUMP

- Type**
2 Chamber positive displacement diaphragm pump, self priming, capable of being run dry
- Mode**
demand or bypass
- Liquid Temperature**
140°F (60°C) Max.
- Priming Capabilities**
6 feet (1.8 m) suction lift
- Max Pressure**
100 PSI (6.9 bar)

Inlet/Outlet Ports

3/8" hose barb

Weight

2.6 lbs (1.18 kg)

MOTOR

Duty Cycle

Intermittent

Leads

18 AWG, 9.84" long with 2-Pin connector/Leads

Voltage

12v/24v

O-Ring Pump Head Standard Accessories:

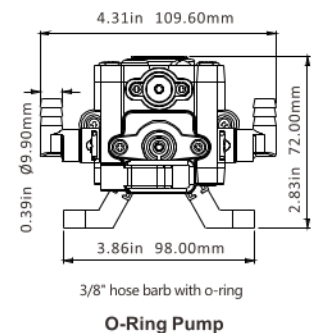
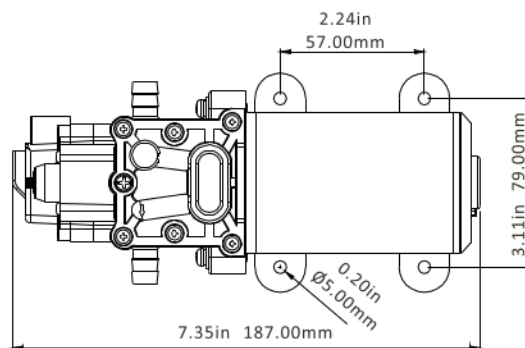
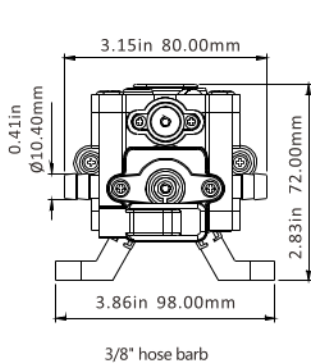


21F001



21F001

Other optional accessories please refer to page 43



STANDARD PUMP CONFIGURATIONS

Model	Voltage	GPM/LPM	Switch	Amps	PSI/BAR	Valves	Diaphragm	Ports	Wire Connections
	12V	1.3/5.0	Demand	5.0 MAX	60/4.1	EPDM	Santoprene	3/8" Barb	2-Pin/Leads
	24V	1.3/5.0	Demand	2.5 MAX	60/4.1	EPDM	Santoprene	3/8" Barb	2-Pin/Leads
	12V	1.3/5.0	Demand	6.0 MAX	100/6.9	EPDM	Santoprene	3/8" Barb	2-Pin/Leads
	24V	1.3/5.0	Demand	3.0 MAX	100/6.9	EPDM	Santoprene	3/8" Barb	2-Pin/Leads
	12V	1.4/5.1	Demand	5.5 MAX	80/5.5	EPDM	Santoprene	3/8" Barb	2-Pin/Leads