

Barriere per bordo ponte

Guardrails for bridge



steel safety on roadways

Require Marcegaglia Buildtech full range of steel road safety barriers: from the **steel partner**, steel safety on roadways.

Marcegaglia Buildtech safety barriers solutions are part of Marcegaglia steel production chain and are engineered, assembled then **tested** in order to comply with specific **norm requirements**.

Certificazioni

Certifications - Zertifizierungen - Certifications - Certificaciones

- **RINA ISO 9001:2008** certificato N. 12370/05/S
- **IQNet - CISQ/RINA** Quality Management System **ISO 9001:2008** Registration N. IT-42009
- **Certificati CE** di costanza della prestazione

Crash tests

Crash tests - Crash-Tests - Essais de chocs - Crash tests



Classe H4 Bordo Ponte - Barriera New Jersey per manufatto W5

Class H4 Bridge side - New Jersey guardrail for bridge W5

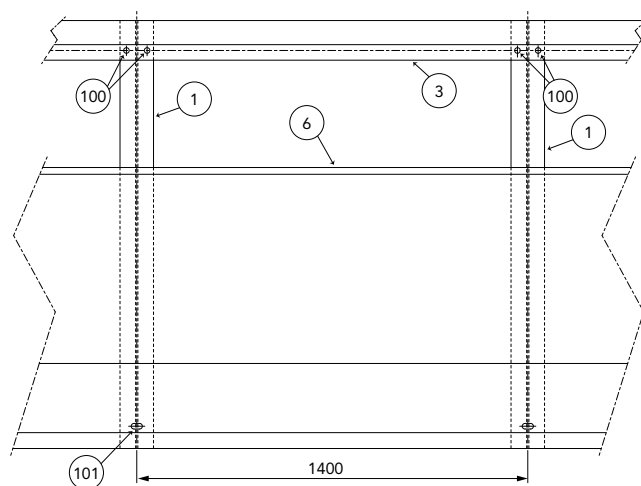
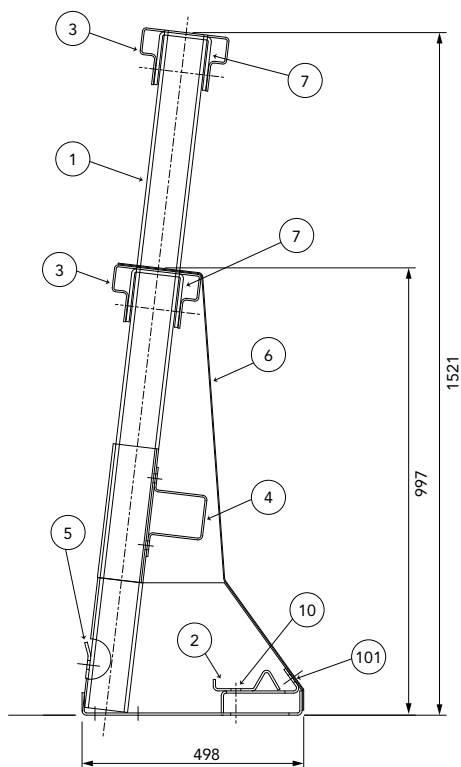
Aufhaltestufe H4 für Kunstbauten - New Jersey Rückhaltesystem W5

Classe H4 Bord pont - Glissière New Jersey pour pont W5

Clase H4 Borde de puente - Barrera New Jersey para base puente W5

H4-W5

New Jersey



Caratteristiche Characteristics, Eigenschaften, Caractéristiques, Características

Altezza barriera Barrier height, Höhe Leitplanke, Hauteur glissière de sécurité, Altura barrera	1521 mm
Profondità d'infissione tirafondi Depth of anchor bolts, Rammtiefe Verbundklebeankerschraube, Profondeur des tire-fonds, Profundidad de penetración de los tirafondos	300 mm
Ingombro trasversale Overall width, Gesamtbreite, Grosseur hors tout, Anchura total	498 mm
Interasse pali Post spacing, Steherabstand, Distance entre poteaux, Distancia entre postes	1400 mm

Rapporti di prova Crash test reports, Testberichte, Comptes rendus d'essais, Relaciones de pruebas

Test n.	Facility	Test	Type	Barrier length m	Mass kg	Speed km/h	ASI max 1.4	THIV max 33 km/h	D m	Vi m	W m
PROVA 675	Aisico	TB81	Laterale 20°	96	38.000	65	-	-	1,40	2,6	1,7=W5
PROVA 244	Aisico	TB11	Laterale 20°	96	900	100	1,4=B	32,00	0,10	-	0,8=W2

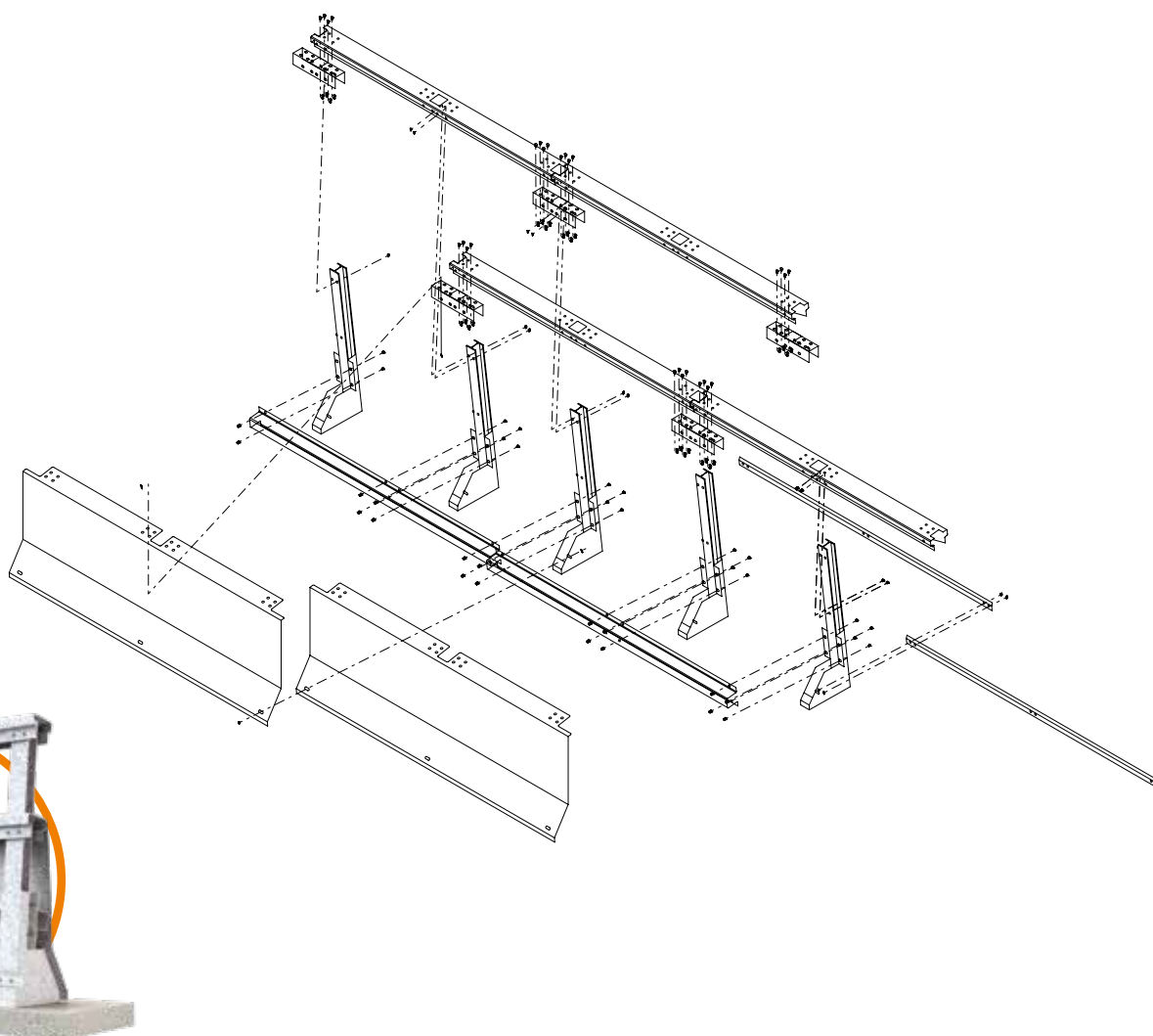
Sales office:

MARCEGAGLIA BUILDTECH guardrail division
 strada Roveri, 4
 15068 Pozzolo Formigaro, Alessandria - Italy
 phone +39 . 0143 77 61 • fax +39 . 0143 77 63 53

guardrail@marcegaglia.com
www.marcegagliabuildtech.it

Plants:

MARCEGAGLIA BUILDTECH Pozzolo Formigaro
 strada Roveri, 4
 15068 Pozzolo Formigaro, Alessandria - Italy
 phone +39 . 0143 77 61 • fax +39 . 0143 77 63 53

**Componenti Components, Bauteile, Composants, Elementos**

	Descrizione Description		Materiale Material
100	Bullone completo Bolt with nut and washer, Schraube komplett, Boulon complet, Tornillo completo con tuerca y arandela	M16x50 mm	Classe 8.8
101	Bullone testa tonda esagono incassato + dado e rondella Socket head cap bolt with nut and washer, Inbusschraube mit mutter mit unterlegscheibe, Boulon à tête Bombée empreinte hexagonal avec écrou et rondelle, tornillo alomado con huego hexagonal, tuerca y arandela	M16x30 mm	Classe 8.8
7	Profilo di collegamento Connection profile, Verbindungsprofil, Profil de raccordement, Estribo de unión	L=490 mm Th=7 mm	S 355 JR
6	Mantello di chiusura Covering plate, Abdeckmantel, Plaque de recouvrement, Revestimiento de cierre	Th=2 mm L=3000 mm	S 280 GD
5	Profilo inferiore Lower profile, Unteres Profil, Profil inférieur, Perfil inferior	L=2935 Th=6 mm	S 275 JR
4	Profilo intermedio Intermediate profile, Mittleres Profil, Profil intermédiaire, Perfil intermedio	L=2790 Th=3 mm	S 235 JR
3	Profilo superiore Upper profile, Oberes Profil, Profil supérieur, Perfil superior	L=2790 Th=4 mm	S 355 JR
2	Ammortizzatore Shock absorber, Stoßdämpfer, Amortisseur, Amortiguador	Th=5 mm	S 235 JR
1	Sostegno saldato Welded support, Geschweißter Träger, Support soudé, Soporte soldado	HEA100 L=1520 mm	S 275 JR

