



**Wand Series**  
**Stainless Steel**  
**External lighting**



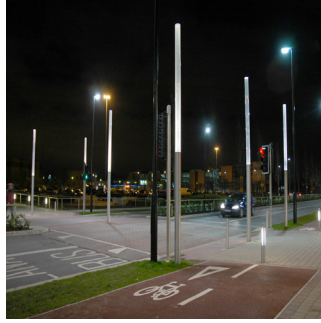
Architecturally designed “Wand” light, with stainless steel base and diffuse acrylic lens. Height 4m as standard.

**Construction:** Root mounted 316 grade stainless steel base 2.2m high with diffused white acrylic lens 1.8m high as standard (3m max SS base and 3m max lens). Total max height 6m. Mirror cap top. IP65 Optics.

**LED:** 33w LED 4K as standard (3K on request). Colour changing LEDs on request. LED module fitted near top of stainless base and directed upwards.

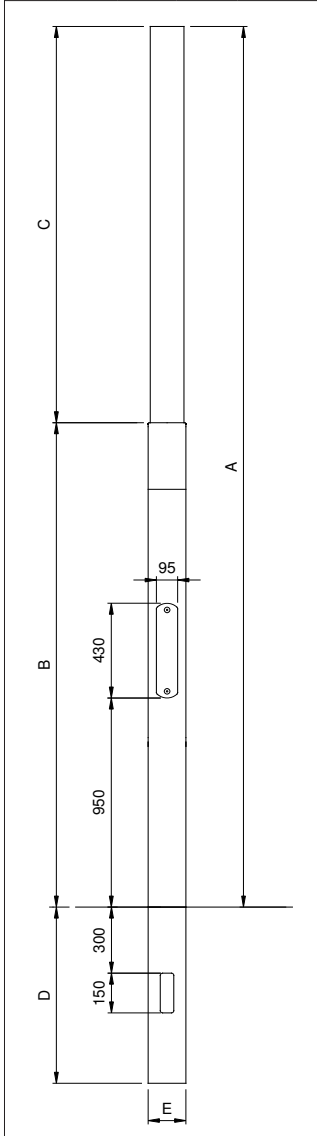
**Options:** Height to 6m max. (ie. 3m Base max and 3m Lens max), RAL finish (over Stainless Steel grade 304), flanged, clear polycarbonate lens.

**Product Compliance:** EN 60598.



### DIMENSIONS

A	B	C	D	E
Typical Dimensions				
4m	2.2m	1.8m	0.6m	168mm
Maximum Available Dimensions				
6m	3m	3m	1m	168mm



### ORDERING CODE

Wattage	Type	Code	Socket	Details
70w	MH	5WND00001	E27- PAR30	2.2m base, 1.8m diffuse acrylic lens
33w*	LED	5WND00003	N/A	2.2m base, 1.8m diffuse acrylic lens
-	-	5WND00002	-	Extra for flanged version

\*3600 source lumens (ie. from LED module)

### OPTIONS

PC:	Clear Polycarbonate Lens
RAL:	Pls specify
Height:	Pls Specify Height of Base

