



EQUILIBREUR DE CHARGE SERIE 9300-9303



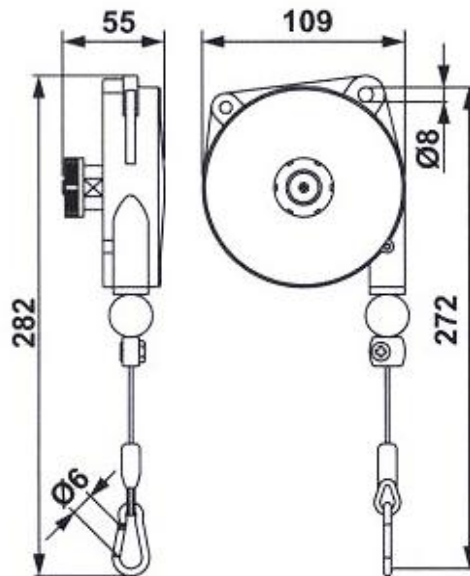
CARACTERISTIQUES TECHNIQUES

Fabrication robuste, corps nylon.
Câble acier inoxydable
Capacité réglable
Guide câble en matière anti friction
Arrêt de câble en polyamide



MAIN FEATURES

Rugged construction, cast nylon body
Stainless steel cable
Adjustable capacity
Auxiliary safety suspension
Cable guide in antifriction material
Inert spring drum assembly
Polyamides thimble



CAPACITE	REF	POIDS	COURSE	CABLE	CORPS
0.2-0.5KG	9300	0.5	1600	INOX	NYLON
0.4-1KG	9301	0.5	1600	INOX	NYLON
1-2KG	9302	0.6	1600	INOX	NYLON
2-3KG	9303	0.7	1600	INOX	NYLON