

DIMENSION : [inch] / mm PLAN D'INFORMATION / INFORMATION DRAWING

PALAMATIC N'AYANT PAS EN CHARGE LE GENIE CIVIL, IL EST DE VOTRE RESPONSABILITE DE VOUS ASSURER DE LA RESISTANCE, DE LA STABILITE ET DE LA PLANEITE DE VOS SUPPORT OU SOLS RECEVANTS NOS EQUIPEMENTS, AUX DIFFERENTS EFFORTS ET CONTRAINTES AUQUELS ILS POURAIENT ETRE SOUMIS.

CE PLAN EST LA PROPRIETE DE LA SOCIETE PALAMATIC - IL NE PEUT ETRE COPIE OU UTILISE SANS AUTORISATION
THIS DRAWING IS THE PROPERTY OF THE COMPANY PALAMATIC - IT CANNOT BE COPIED OR USED WITHOUT AUTHORIZATION

CIVIL ENGINEERING WORKS ARE NOT INCLUDED IN PALAMATIC'S SCOPE OF SUPPLY. IT IS THE CLIENT'S RESPONSIBILITY TO ENSURE THE STABILITY, RESISTANCE AND FLATNESS OF THE STRUCTURES AND TERRAIN ON WHICH, PALAMATIC'S EQUIPMENT WILL BE MOUNTED. THESE STRUCTURES AND TERRAIN MUST BE ABLE TO WITHSTAND THE DIFFERENT LOADS AND CONSTRAINTS BROUGHT ON BY THESE EQUIPMENTS

Rue de l'Écolais 02 90 56 20 61
Z.A. de la Croix Rouge
35530 BRECE
CYRIL.PICHARD@PALAMATIC.FR



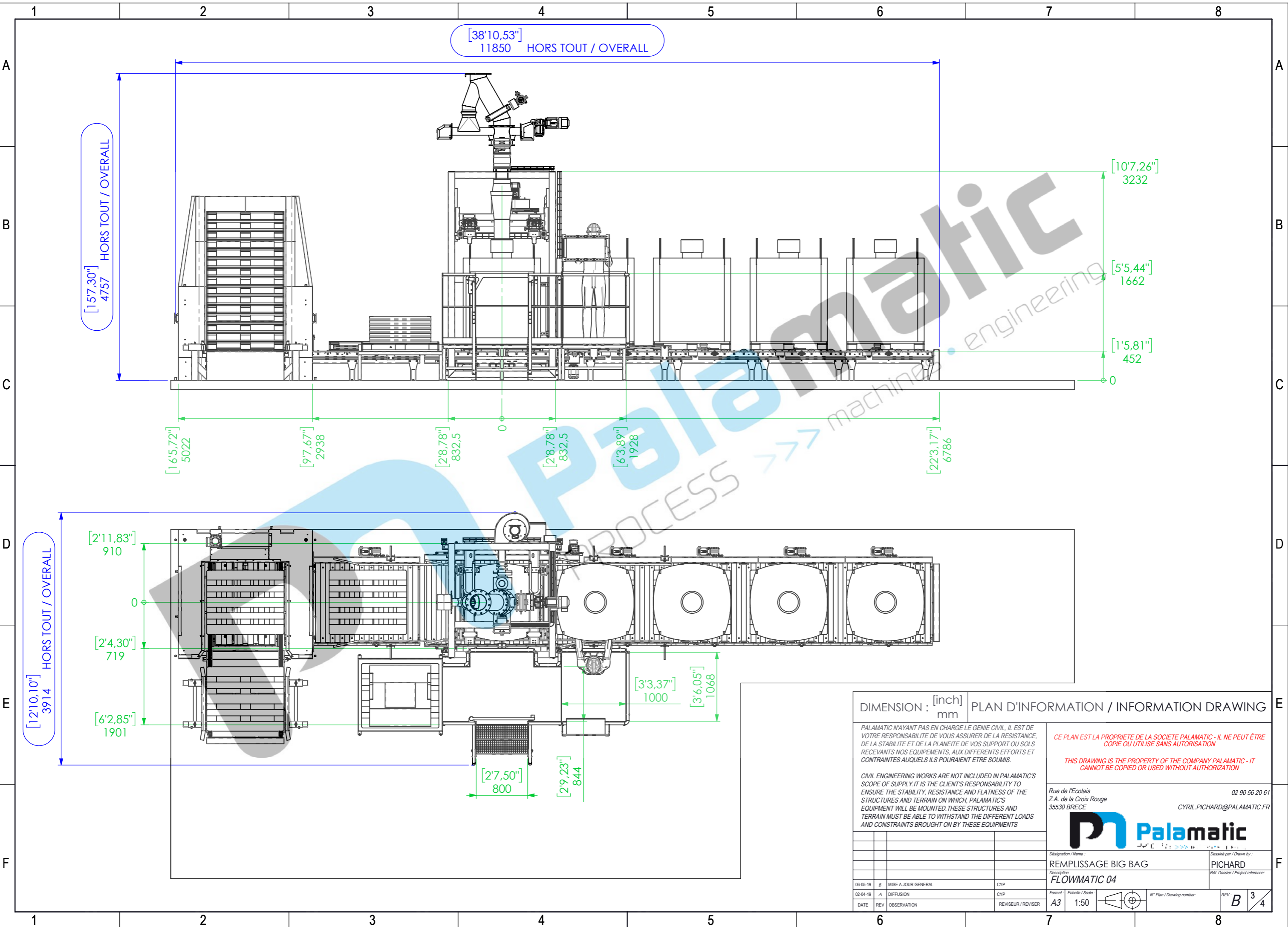
Table de nomenclature			
REP.	DESIGNATION (FR)	DESIGNATION (ENGLISH)	QTE
1	DEPILEUR DE PALETTE	PALLET UNSTACKER	1
2	TUBE DE CHUTE PRODUIT ET VIS DE DOSAGE	PRODUCT FILLING TUBE AND DOSING SCREW	1
3	RESERVE DE SAC VIDE	EMPTY BAG RESERVE STORAGE	1
4	STATION DE REMPLISSAGE BIG BAG SUR PESONS	BIG BAG FILLING STATION ON LOAD CELLS	1
5	COFFRET DE COMMANDE	CONTROL CABINET	1
6	PLATEFORME OPERATEUR	OPERATOR PLATFORM	1
7	LIGNE DE CONVOYEUR MOTORISE	MOTORIZED CONVEYOR LINE	1

06-05-19	B	MISE A JOUR GENERAL	CYP
02-04-19	A	DIFFUSION	CYP
DATE	REV	OBSERVATION	REVISER / REVISER

Designation / Name : **REMPLISSAGE BIG BAG** Dessiné par / Drawn by : **PICHARD**

Description : **FLOWMATIC 04** Ref. Dossier / Project reference:

Format / Echelle / Scale : **A3 1:40** N° Plan / Drawing number: **B 1/4**



[38'10,53"]
11850 HORS TOUT / OVERALL

[157,30"]
4757 HORS TOUT / OVERALL

[10'7,26"]
3232

[5'5,44"]
1662

[1'5,81"]
452

[16'5,72"]
5022

[9'7,67"]
2938

[28,78"]
832,5

[28,78"]
832,5

[6'3,89"]
1928

[22'3,17"]
6786

[12'10,10"]
3914 HORS TOUT / OVERALL

[2'11,83"]
910

[24,30"]
719

[6'2,85"]
1901

[3'3,37"]
1000

[3'6,05"]
1068

[2'7,50"]
800

[2'9,23"]
844

DIMENSION : [inch] / mm PLAN D'INFORMATION / INFORMATION DRAWING

PALAMATIC N'AYANT PAS EN CHARGE LE GENIE CIVIL, IL EST DE VOTRE RESPONSABILITE DE VOUS ASSURER DE LA RESISTANCE, DE LA STABILITE ET DE LA PLANEITE DE VOS SUPPORT OU SOLS RECEVANTS NOS EQUIPEMENTS, AUX DIFFERENTS EFFORTS ET CONTRAINTES AUQUELS ILS POURAIENT ETRE SOUMIS.

CIVIL ENGINEERING WORKS ARE NOT INCLUDED IN PALAMATIC'S SCOPE OF SUPPLY. IT IS THE CLIENT'S RESPONSIBILITY TO ENSURE THE STABILITY, RESISTANCE AND FLATNESS OF THE STRUCTURES AND TERRAIN ON WHICH, PALAMATIC'S EQUIPMENT WILL BE MOUNTED. THESE STRUCTURES AND TERRAIN MUST BE ABLE TO WITHSTAND THE DIFFERENT LOADS AND CONSTRAINTS BROUGHT ON BY THESE EQUIPMENTS

CE PLAN EST LA PROPRIETE DE LA SOCIETE PALAMATIC - IL NE PEUT ETRE COPIE OU UTILISE SANS AUTORISATION
THIS DRAWING IS THE PROPERTY OF THE COMPANY PALAMATIC - IT CANNOT BE COPIED OR USED WITHOUT AUTHORIZATION

Rue de l'Écolais 02 90 56 20 61
Z.A. de la Croix Rouge 35530 BRECE
CYRIL.PICHARD@PALAMATIC.FR

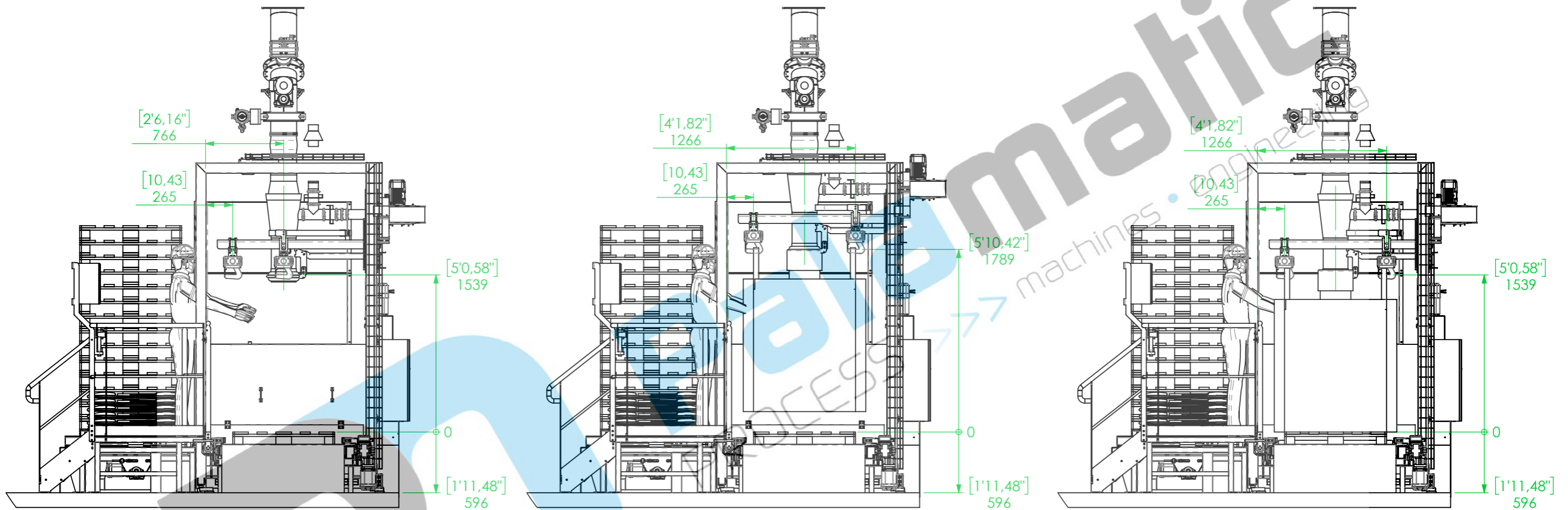


Designation / Name :		REMPLEISSAGE BIG BAG		Dessiné par / Drawn by : PICHARD	
Description :		FLOWMATIC 04		Ref. Dossier / Project reference :	
06-05-19	B	MISE A JOUR GENERAL	CYP	Format / Echelle / Scale :	A3 1:50
02-04-19	A	DIFFUSION	CYP	N° Plan / Drawing number :	B 3
DATE	REV	OBSERVATION	REVISUR / REVISER		4

MISE EN PLACE BIG BAG / BIG BAG POSITIONNING

REPLISSAGE BIG BAG / BIG BAG FILLING

LARGAGE DU BIG BAG ET FERMETURE DE LA MANCHETTE /
BIG BAG DROPPING AND CLOSURE OF THE CUFF



DIMENSION : [inch] mm		PLAN D'INFORMATION / INFORMATION DRAWING	
<p>PALAMATIC N'AYANT PAS EN CHARGE LE GENIE CIVIL, IL EST DE VOTRE RESPONSABILITE DE VOUS ASSURER DE LA RESISTANCE, DE LA STABILITE ET DE LA PLANEITE DE VOS SUPPORT OU SOLS RECEVANTS NOS EQUIPEMENTS, AUX DIFFERENTS EFFORTS ET CONTRAINTES AUQUELS ILS POURAIENT ETRE SOUMIS.</p> <p>CIVIL ENGINEERING WORKS ARE NOT INCLUDED IN PALAMATIC'S SCOPE OF SUPPLY. IT IS THE CLIENT'S RESPONSIBILITY TO ENSURE THE STABILITY, RESISTANCE AND FLATNESS OF THE STRUCTURES AND TERRAIN ON WHICH, PALAMATIC'S EQUIPMENT WILL BE MOUNTED. THESE STRUCTURES AND TERRAIN MUST BE ABLE TO WITHSTAND THE DIFFERENT LOADS AND CONSTRAINTS BROUGHT ON BY THESE EQUIPMENTS</p>		<p>CE PLAN EST LA PROPRIETE DE LA SOCIETE PALAMATIC - IL NE PEUT ÊTRE COPIÉ OU UTILISÉ SANS AUTORISATION</p> <p>THIS DRAWING IS THE PROPERTY OF THE COMPANY PALAMATIC - IT CANNOT BE COPIED OR USED WITHOUT AUTHORIZATION</p>	
<p>Rue de l'Écolais Z.A. de la Croix Rouge 35530 BRECE</p>		<p>02 90 56 20 61 CYRIL.PICHARD@PALAMATIC.FR</p>	
<p>Designation / Name : REPLISSAGE BIG BAG</p>		<p>Dessiné par / Drawn by : PICHARD</p>	
<p>06-05-19 b MISE A JOUR GENERAL CYP</p>		<p>Description : FLOWMATIC 04</p>	
<p>02-04-19 A DIFFUSION CYP</p>		<p>Format / Echelle / Scale : A3 1:40</p>	
<p>DATE REV OBSERVATION REVISER / REVISER</p>		<p>N° Plan / Drawing number : REV: B 4 / 4</p>	