

CUST. MODEL:	REF:
CUST. P/N:	DWG FILE:

DESCRIPTION CONTROL			
REV.	DESC.	DATE.	APP.
1.0			

Material & Finish

SHELL:

Steel
Zinc plated, Tin plated
or Nickel plated steel

PIN CONTACT:

Phosphor bronze or Brass

INSULATOR:

PBT & Glass-fibre reinforced
UL-94-V0

NUMBER OF CONTACT:

24,36,50

DURABILITY

100 cycles

CURRENT RATING:

5 Amp

DIELECTRIC STRENGTH:

AC 1000V Min.(for one minute)

INSULATOR RESISTANCE:

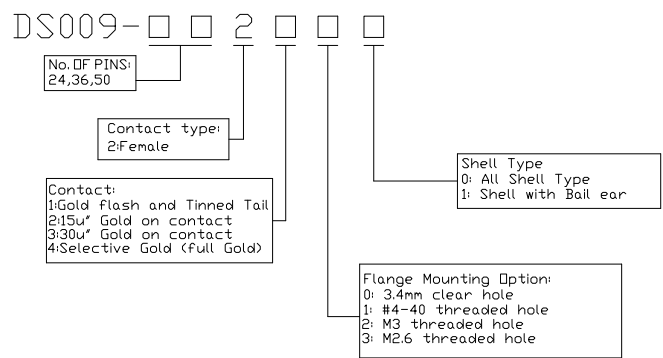
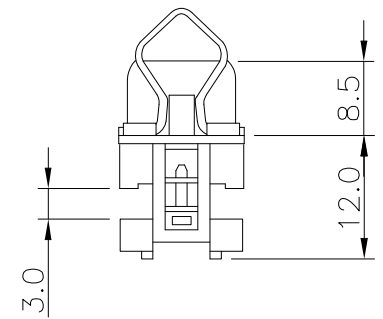
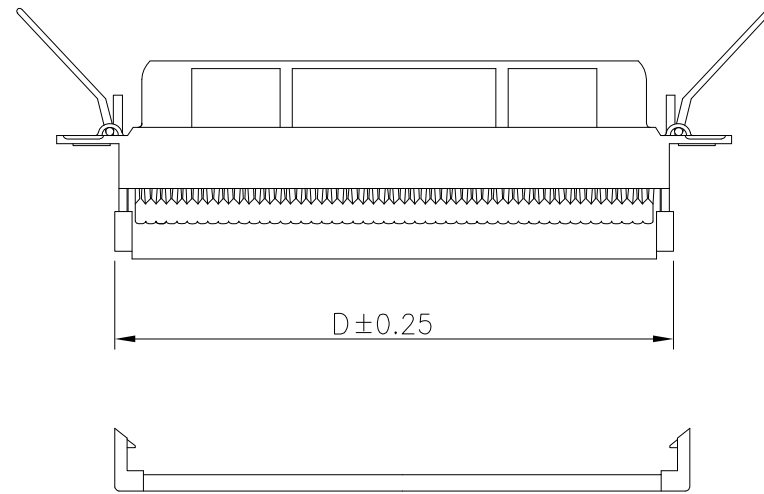
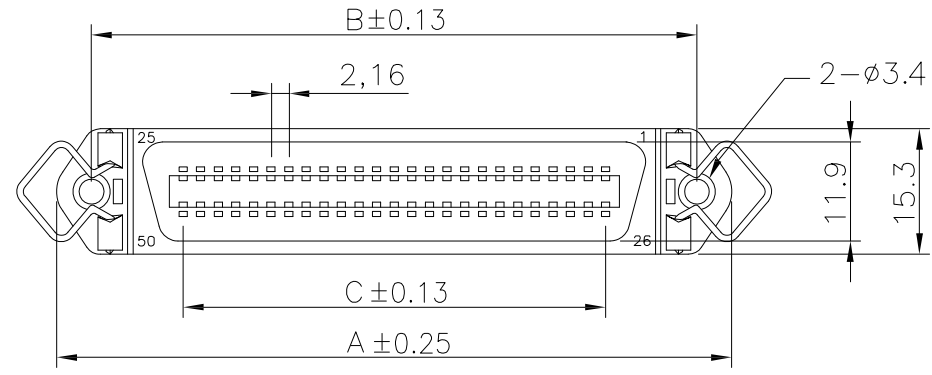
1000MΩ Min. (at 500V DC)

CONTACT RESISTANCE

25m Max. mated

TEMPERATURE:

-55°C to +105°C



Position

	A	B	C	D
24	54.70	46.78	23.76	35.50
36	67.80	59.74	36.72	53.30
50	82.80	74.85	51.84	68.50

UNLESS OTHERWISE SPECIFIED SURFACE FINISH ALL OVER TOLERANCES mm METRIC X. = ±0.5 .X = ±0.30 .XX = ±0.25 .XXX = ±0.15	DRAW: BEN	DATE: 05/17/05	TITLE: CENTRONIC IDC TYPE FEMALE CONNECTOR
	CHECK: KEVIN	APPROVE: TONY	MODEL CODE: DS009-XX2101

NO.	DESCRIPTION	QTY
-----	-------------	-----