



Radio Remote Control

- Large display
- Proportional radio remote control with two batteries
- Crane and crawl control



Hydraulic Vacuum and Grabber Manipulator

- 800 Kg radio-controlled vacuum manipulator
- 300 Kg pipe and beam grabber manipulator



Pick & Carry

500 Kg pick & carry capacity

Limitless
360°
rotation



Electric Power Pack

Mono-phase or three-phase Power Pack for indoors works



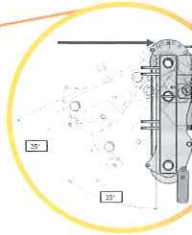
Two different JIB

- 800 Kg Searcher hook
- 800 Kg Hydraulic flying JIB



Electronic LMI

- Load and moment indicator
- Diagnostic troubleshooting
- Friendly display with all the information
- Full safety respect EN13000



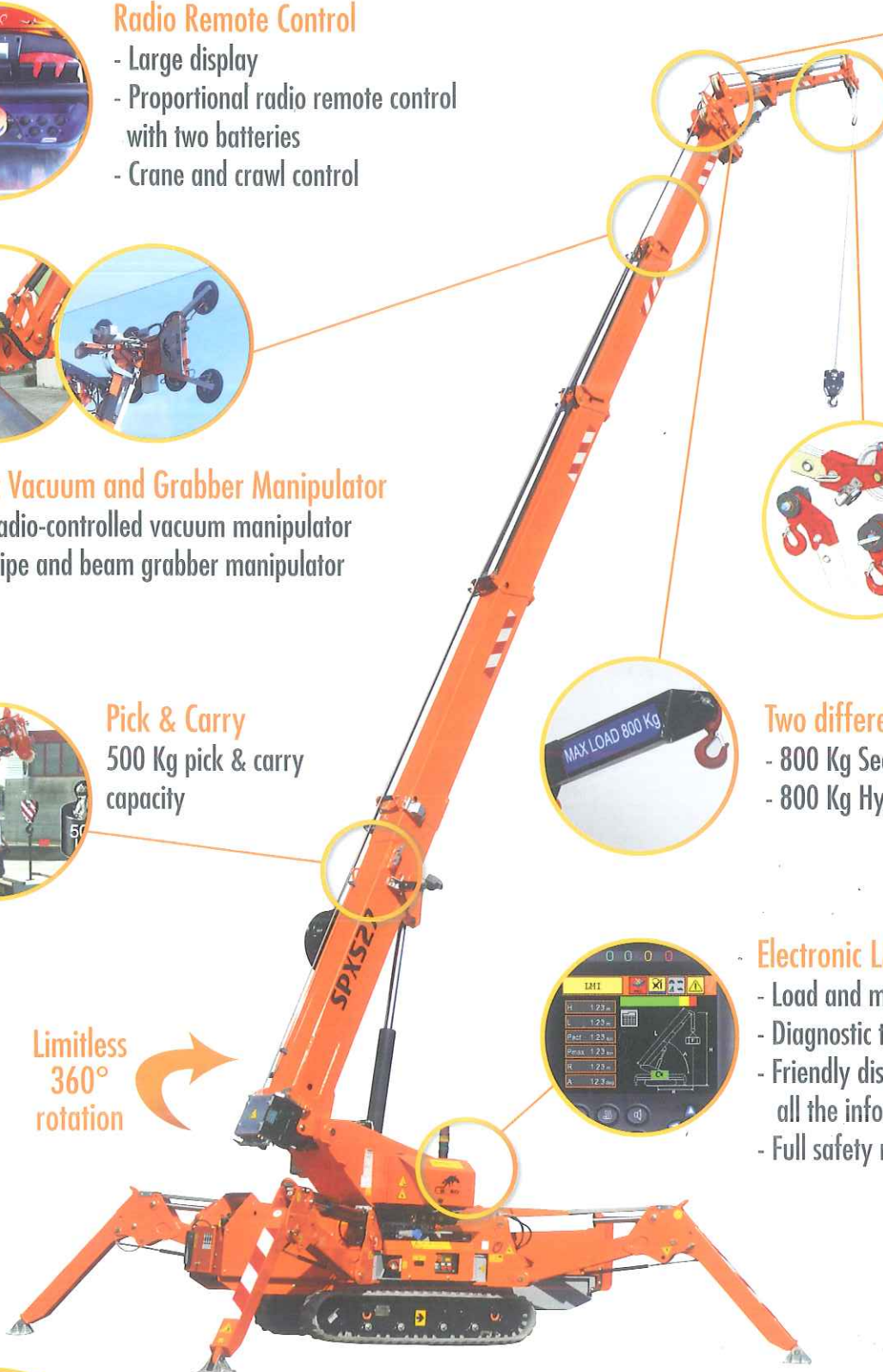
Tilting Head

Three position adjustable pulley head



Hook & Pulley

Works with hoist and pulley mo

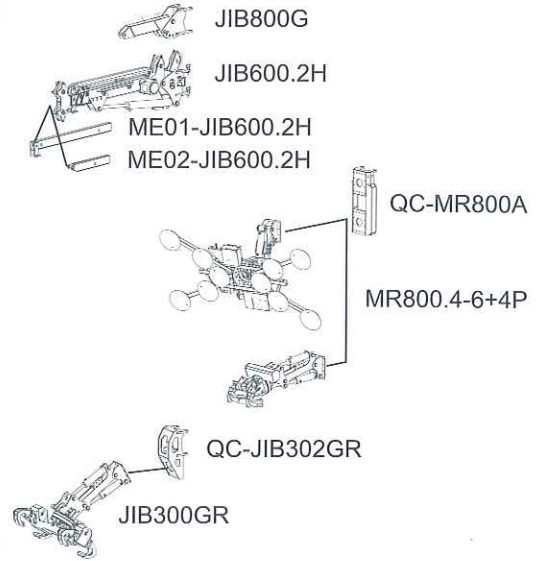
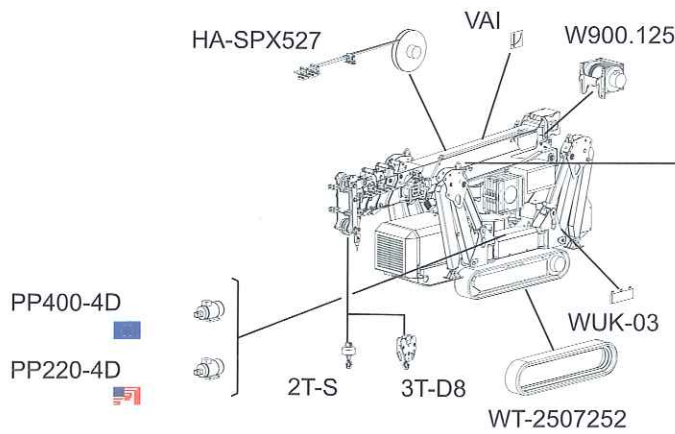


Virtual Wall

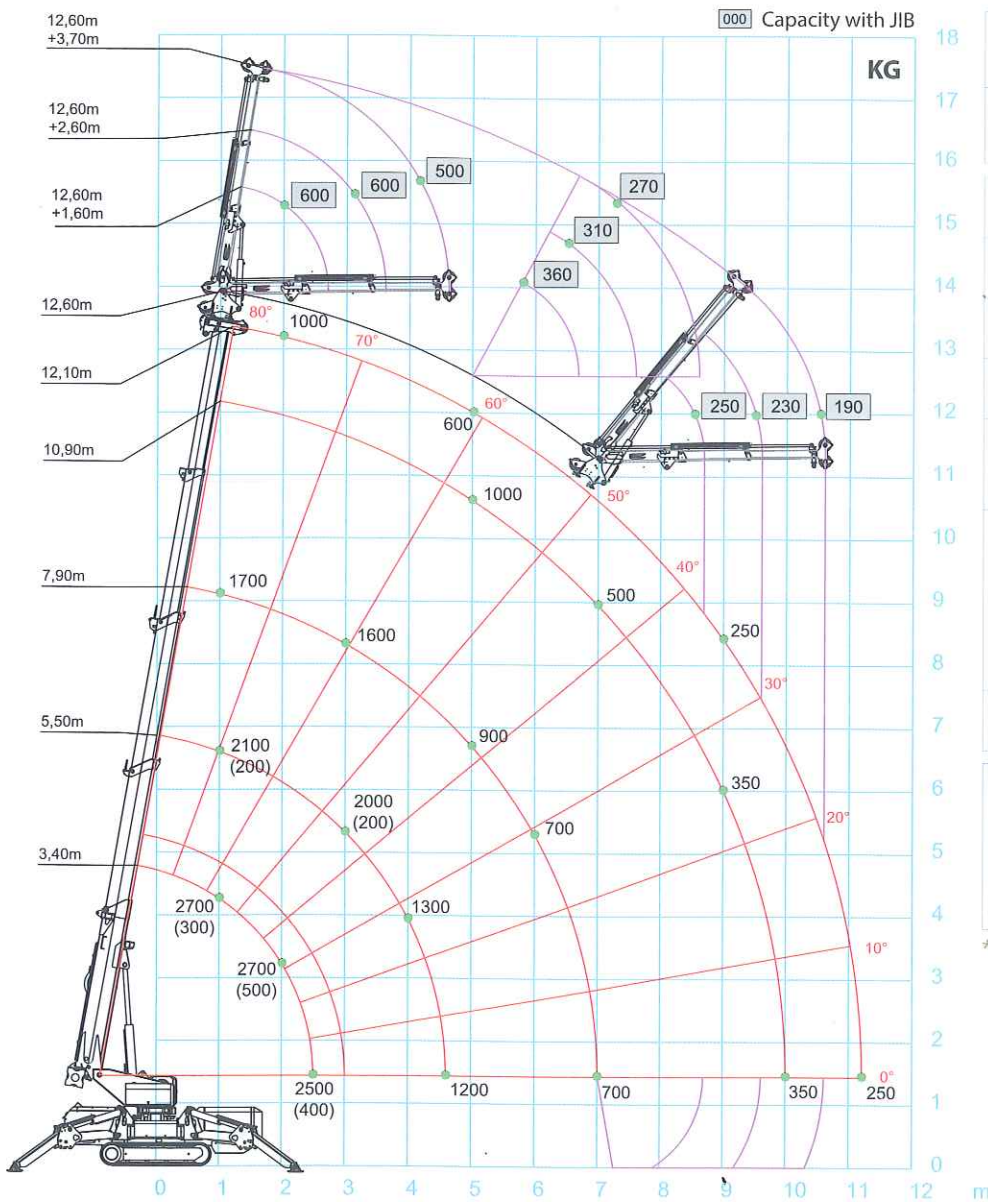
Anti-collision system with acquisition of the working area



Crane Options



Load Chart



Technical Info

	LxWxH	4150 x 1100 x 1960 mm		
		4160 x 4160 mm		
		kg		
	SPX527CDH	3600		
	/	0		
	3T-D8	30		
	PP400-4D PP220-4D	110		
	JIB800G	26		
	JIB600.1M	100		
	JIB600.2H*	210		
	MR800.4	295		
SPX527CDH		ISUZU 3CBT		
		3	kW	18,7kW 25,0Hp

*Manual extension available (stinger)

