



Max. lift height 5000mm

MBC16/20

WALKIE ELECTRIC PALLET STACKER

With 1600&2000kg load capacity, MBC series is walkie type, mainly used in supermarket, warehouse, floor and short-middle distance transportation, it is four fulcrum structure, very stable and economical.

PRODUCT FEATURES



- With 1490mm very small turning radius, can work smoothly in 2375mm narrow aisle, rear panel is adapted big carved stamping parts, with anti presser foot design, smooth appearance and better anti-collision performance.



- With 30% reduction of energy consumption compared to other forklift, saving charging
- 3 years warranty for 24V lithium battery and 8 years battery life
- With enclosed design, free maintenance
- Fast charging, full charge in 2 hours at the soonest, no need extra battery
- Lithium iron phosphate battery, anti-fire and anti-explosion



- Side pull battery replacement, easy to charge
- USA Curtis controller
- Easy-dismantled covering parts, easy to maintain



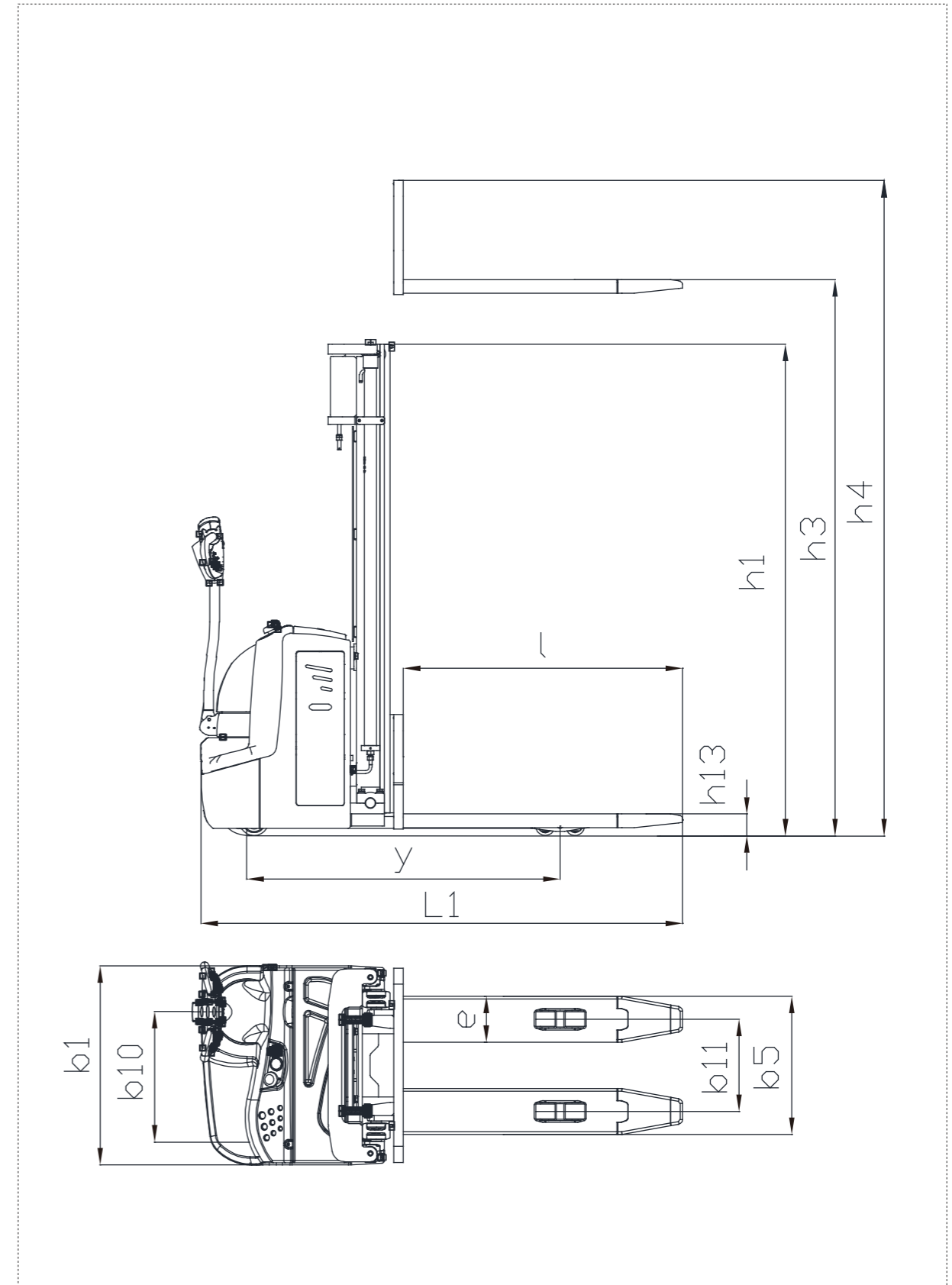
- Long handle design, easy to operate, more safe and comfortable. Driver can choose different handle height according to operation habit. Fast and efficient to operate based on safe distance and wide view. With 4 wheel design, very simple for driver to handle pallet.

BEST CHOICE TO BE USED IN NARROW AISLE



Standard							
1.1	Brand	MiMA	MiMA	MiMA	MiMA	MiMA	MiMA
1.2	Model	MBC16 (Single cylinder)	MBC16 (Double Cylinder)	MBC16 (Double Cylinder Triplex Mast)	MBC20 (Single cylinder)	MBC20 (Double Cylinder)	MBC20 (Double Cylinder Triplex Mast)
1.3	Power type	Battery	Battery	Battery	Battery	Battery	Battery
1.4	Operation type	Walkie	Walkie	Walkie	Walkie	Walkie	Walkie
1.5	Rated capacity	Q(kg)	1600	1600	1600	2000	2000
1.6	Load center	C(mm)	600	600	600	600	600
1.7	Wheelbase	y(mm)	1290	1290	1290	1290	1290
Weight							
2.1	Service weight(incl. battery)	kg	1150	1200	1300	1150	1200
Wheel							
3.1	Wheel type		PU	PU	PU	PU	PU
3.2	Load wheel	mm	φ80×70	φ80×70	φ80×70	φ80×70	φ80×70
3.3	Drive wheel	mm	φ230×75	φ230×75	φ230×75	φ230×75	φ230×75
3.4	Auxiliary wheel	mm	φ125×50	φ125×50	φ125×50	φ125×50	φ125×50
3.5	Number of wheels, front/rear(x=drive wheel)		4 /1x+1	4 /1x+1	4 /1x+1	4 /1x+1	4 /1x+1
3.6	Wheel tread, drive side	b10(mm)	530	530	530	530	530
3.7	Wheel tread, load side	b11(mm)	380/490	380/490	380/490	380/490	380/490
Size							
4.1	Mast closed height	h1(mm)	Refer to the mast specification	Refer to the mast specification	Refer to the mast specification	Refer to the mast specification	Refer to the mast specification
4.3	Lift height	h3(mm)	Refer to the mast specification	Refer to the mast specification	Refer to the mast specification	Refer to the mast specification	Refer to the mast specification
4.4	Mast extended height with load-backrest	h4(mm)	Refer to the mast specification	Refer to the mast specification	Refer to the mast specification	Refer to the mast specification	Refer to the mast specification
4.5	Initial lift	(mm)	110	/	110	/	/
4.6	Handle height	h14(mm)	700/1300	700/1300	700/1300	700/1300	700/1300
4.7	Fork face min. ground clearance	h13(mm)	90	90	90	90	90
4.8	Overall length	l1(mm)	1990	1990	1990	1990	1990
4.9	Overall width	b1(mm)	820	820	820	820	820
4.10	Fork size	l/e/s(mm)	1150/190/56	1150/190/56	1150/190/56	1150/190/56	1150/190/56
4.11	Fork outside width	b5(mm)	570/680*	570/680*	570/680*	570/680*	570/680*
4.12	Min. ground clearance	m1(mm)	30	30	30	30	30
4.13	Aisle width for pallet 1000*1200mm	Ast(mm)	2375	2375	2375	2375	2375
4.14	Aisle width for pallet 800*1200mm	Ast(mm)	2375	2375	2375	2375	2375
4.15	Turning radius	Wa(mm)	1490	1490	1490	1490	1490
Function							
5.1	Driving speed(load/unload)	km/h	5.0/6.0	5.0/6.0	5.0/6.0	5.0/6.0	5.0/6.0
5.2	Lifting speed(load/unload)	mm/s	90/130	125/175	90/130	90/130	125/175
5.3	Lowering speed(load/unload)	mm/s	110/130	115/135	95/100	110/130	115/135
5.4	Max. gradeability(load/unload)(S2-5min)	%(tanθ)	≤6/≤12	≤6/≤12	≤6/≤12	≤6/≤12	≤6/≤12
5.5	Brake type		Electromagnetic	Electromagnetic	Electromagnetic	Electromagnetic	Electromagnetic
Drive							
6.1	Driving motor(S2-60min)	kw	1.5	1.5	1.5	1.5	1.5
6.2	Lifting motor(S3-15%)	kw	2	3	3	2	3
6.3	Battery voltage/capacity	V/Ah	24/210*	24/210*	24/210*	24/210*	24/210*
6.4	Battery weight	kg	180	180	180	180	180
6.5	Steering system		Mechanical	Mechanical	Mechanical	Mechanical	Mechanical
Other							
7.1	Battery replacement type		Side pull	Side pull	Side pull	Side pull	Side pull
7.2	Mast type		Duplex mast	Duplex mast	Triplex mast	Duplex mast	Duplex mast
7.3	Lithium battery voltage / capacity	V/Ah	24/150	24/150	24/150	24/150	24/150

Note: For models with initial lift, the max. lift capacity of forks is not more than 1600kg, the max. lift capacity of legs is 2000kg, and the total load capacity of the whole vehicle is not more than 2000kg.



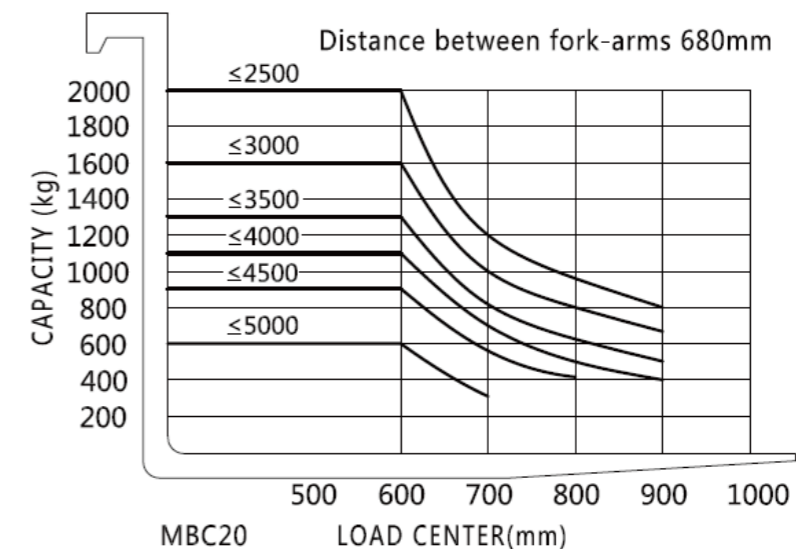
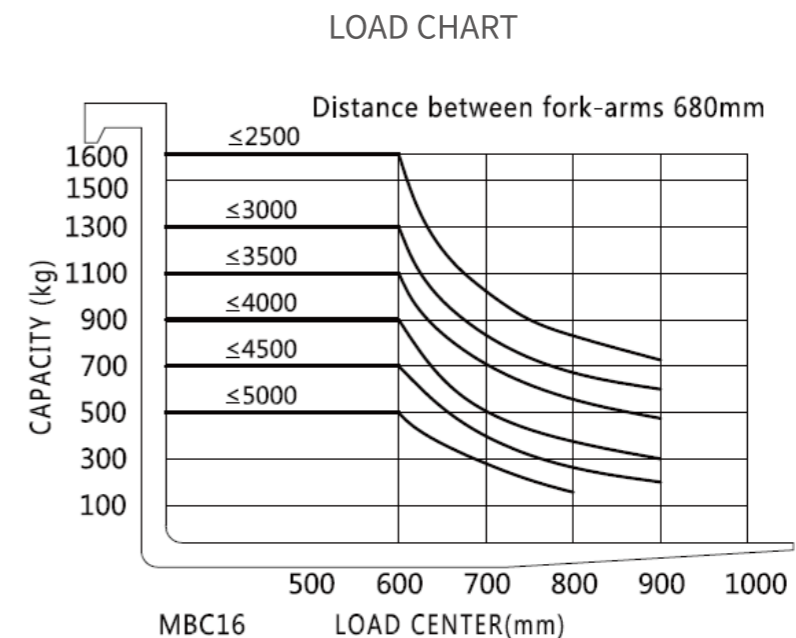
Single mast		MBC16/20	
1.1 Model		MBC1616 MBC2016	
1.2 Mast type		Single mast	
1.3 Lift height	h3	mm	1600
1.4 Mast closed height	h1	mm	2090
1.5 Mast extended height	h4	mm	2090
1.6 Free lift height	h2	mm	1600

Single cylinder duplex mast		MBC16/20					
1.1 Model		MBC1625	MBC1630	MBC1635	MBC1640	MBC1645	
1.2 Mast type		Duplex mast	Duplex mast	Duplex mast	Duplex mast	Duplex mast	
1.3 Lift height	h3	mm	2500	3000	3500	4000	4500
1.4 Mast closed height	h1	mm	1775	2025	2275	2575	2825
1.5 Mast extended height	h4	mm	3000	3500	4000	4500	5000

Double cylinder duplex mast		MBC16/20					
1.1 Model		MBC1625 MBC2025	MBC1630 MBC2030	MBC1635 MBC2035	MBC1640 MBC2040	MBC1645 MBC2045	
1.2 Lift height	h3	mm	2500	3000	3500	4000	4500
1.3 Mast closed height	h1	mm	1775	2025	2275	2575	2825
1.4 Mast extended height	h4	mm	3000	3500	4000	4500	5000

Triplex mast		MBC16/20			
1.1 Model		MBC1640 MBC2040	MBC1645 MBC2045	MBC1650 MBC2050	
1.2 Lift height	h3	mm	4000	4500	5000
1.3 Mast closed height	h1	mm	1933	2100	2267
1.4 Mast extended height	h4	mm	4500	5000	5500

Triplex full free mast		MBC16/20			
1.1 Model		MBC1640 MBC2040	MBC1645 MBC2045	MBC1650 MBC2050	
1.2 Lift height	h3	mm	4000	4500	5000
1.3 Mast closed height	h1	mm	1933	2100	2267
1.4 Free lift height	h2	mm	1383	1550	1717
1.5 Mast extended height	h4	mm	4500	5000	5500



Notes:

- Above load chart is based on 680mm forks outer distance;
- With 570mm forks outer distance, MBC16 can load 1600kg within 2500mm lifting height, but has 150kg capacity loss from 2500mm lifting height base on standard load chart;
- With 570mm forks outer distance, MBC20 has 200kg capacity loss from 1600mm lifting height based on standard load chart;
- In order to guarantee a better loading performance, customized straddle legs design is available with 570mm forks outer distance.