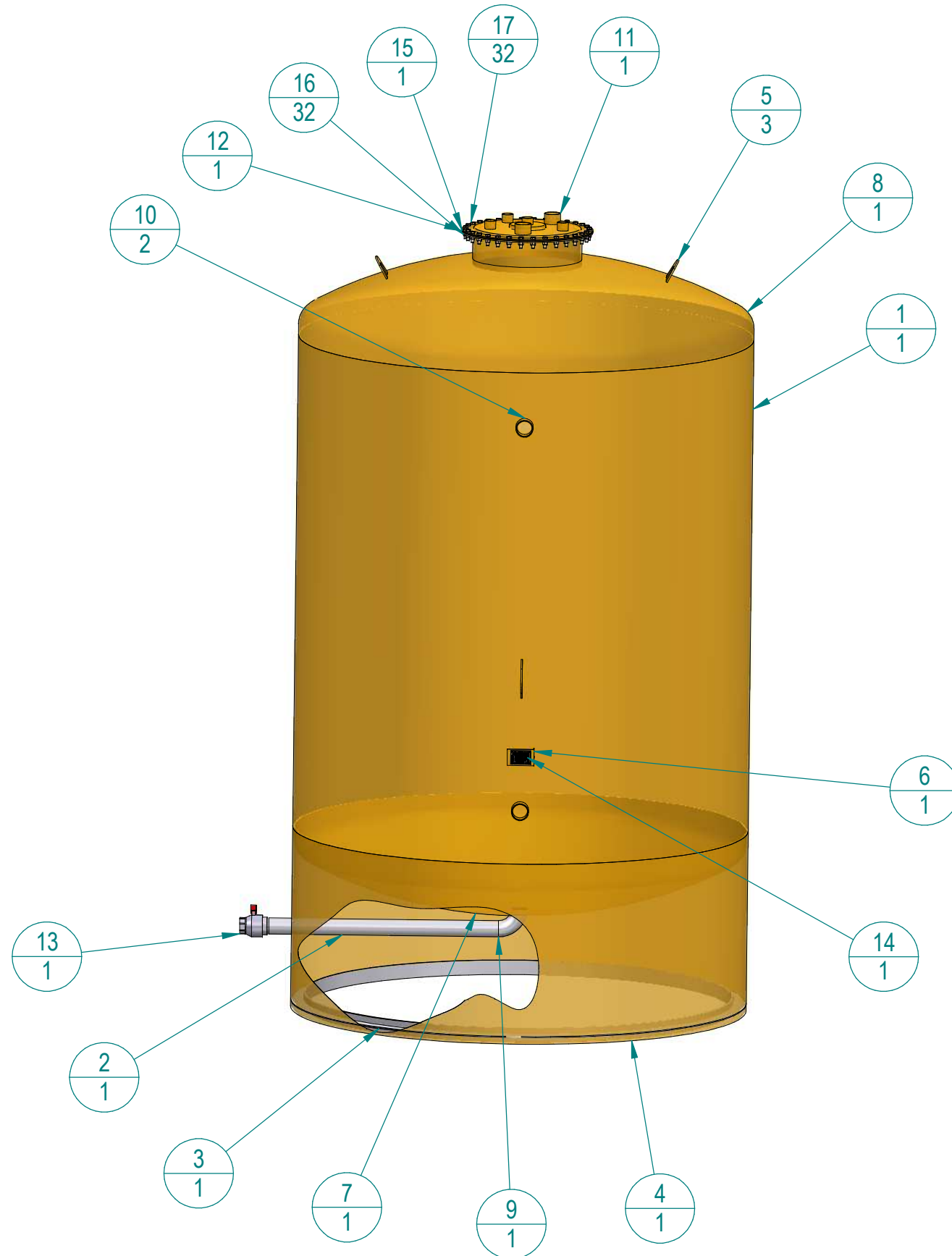


| TOLERANCES GENERALES POUR DIMENSIONS SANS INDICATIONS SELON ISO 2768 :<br>Non Specified Tolerances According To: DIN 7188 : |   |       |       |       |       |       |      |
|---|---|-------|-------|-------|-------|-------|------|
| Class   | > | 0,5   | 3     | 6     | 30    | 120   | 400  |
|   | = | 3     | 6     | 30    | 120   | 400   | 1000 |
| GROSSIERE - Coarse  |   | ± 0,2 | ± 0,3 | ± 0,5 | ± 0,8 | ± 1,2 | ± 2  |

| REV | DESCRIPTION  | CRA/DM | DATE       | MODIF. PAR |
|-----|--------------|--------|------------|------------|
| \$1 | Plan d'étude |        | 17/01/2012 | GG         |



|      |            |      |     |                                       |                    |                |             |
|------|------------|------|-----|---------------------------------------|--------------------|----------------|-------------|
| 17   | 00010264   | -    | 32  | VIS H M16-40 ZINGUEE CL 8-8           |                    | Acier          |             |
| 16   | 00210116   | -    | 32  | ECROU H M16 ZINGUE CL8.8              |                    | Acier          |             |
| 15   | 01600363   | -    | 1   | JOINT TROU D'HOMME Ø600X720-32 TR     |                    | Nitrile        |             |
| 14   | 02829138   | A    | 1   | PLAQUE DE FIRME 110X75 INOX EN12285-1 | CUVE ENTERREE      | Aluminium      |             |
| 13   | 03820116   | -    | 1   | VANNE B/S 80/90 LAIT 3" F / F         | F/F                | Laiton nickelé |             |
| 12   | 03824408   | -    | 1   | JUPE 21P VIROLE TH DIAM 600 X 6 EP 6  |                    | Acier S235JRG2 |             |
| 11   | 03824914   | -    | 1   | COUVERCLE TH Ø720 EP6 2X80 4X50       | 2X80 4x50          | Acier S235JRG2 |             |
| 10   | 03830909   | -    | 2   | MANCHON ACIER NOIR 80/90              | N°2701             | Acier          |             |
| 9    | 03970070   | -    | 1   | COUDE 90 A/S 3D 80X90 ACIER SS        |                    | Acier          |             |
| 8    | 30002910   | A    | 1   | FOND MRC 2500X6 S235JRG2              |                    | Acier S235JRG2 |             |
| 7    | 30002930   | -    | 1   | FOND MRC 2486X6 S235JRG2              |                    | Acier S235JRG2 |             |
| 6    | 30131640   | A    | 1   | SUPPORT PLAQUE DE PROPRIETE           |                    | Acier          |             |
| 5    | 30300100   | -    | 3   | ANNEAU LEVAGE L4 ÉP. 8MM LAPFP F0008  |                    | Acier S235JRG2 |             |
| 4    | 60002350-2 | -    | 1   | JUPPE H:1000mm                        | D:2500mm           | Acier S235JRG2 |             |
| 3    | 60002350-3 | -    | 1   | Té 80                                 | (Renfort de juppe) | Acier          |             |
| 2    | 60002350-4 | \$   | 1   | Tube de purge 1                       | Dn80               | Acier          |             |
| 1    | VIROLLE    | \$   | 1   | VIROLLE 15m3                          | D1900              | Acier S235JRG2 |             |
| Rep. | Ref.LAFON  | Rév. | QTY | Description 1                         | Description 2      | Matière        | Observation |

SPECIFICATION :  
Specification :

MATIERE :  
Material :

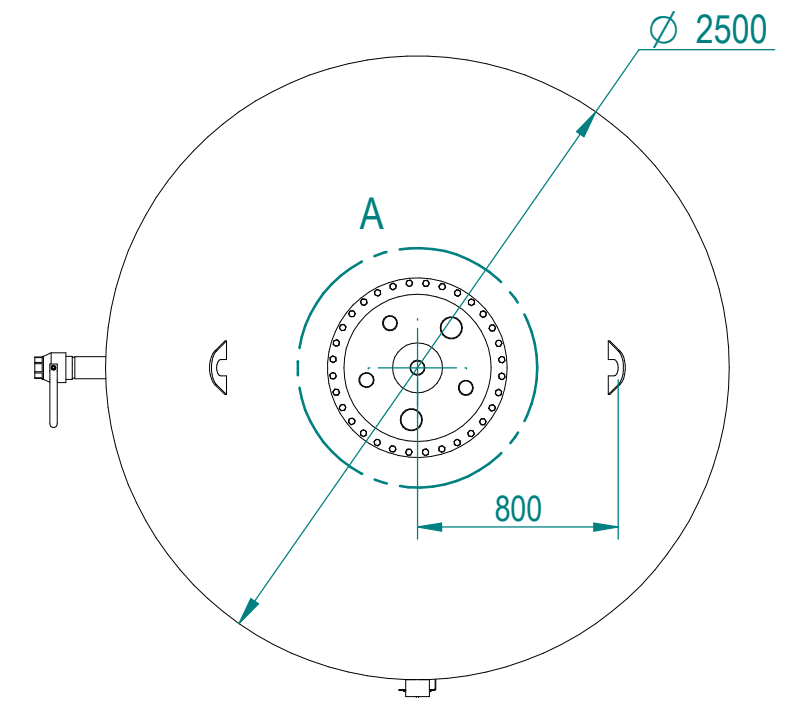
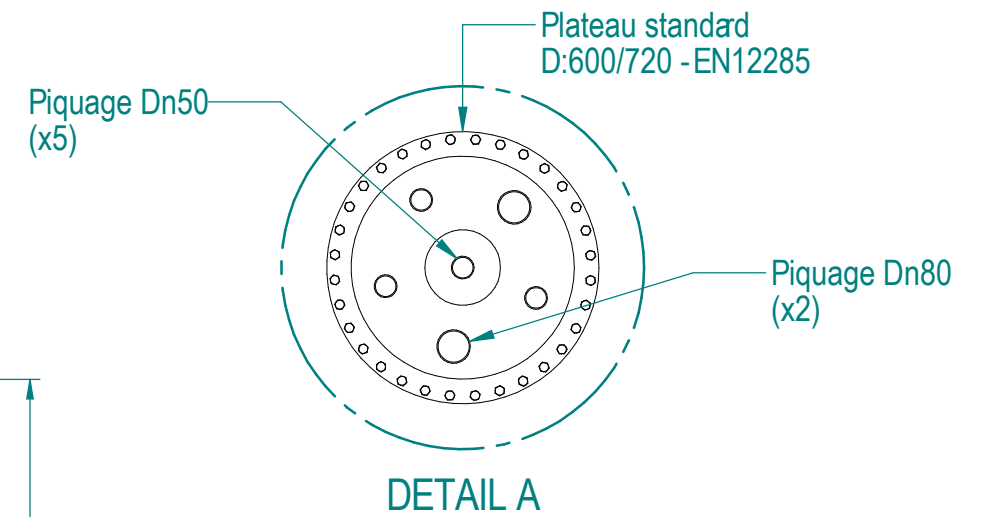
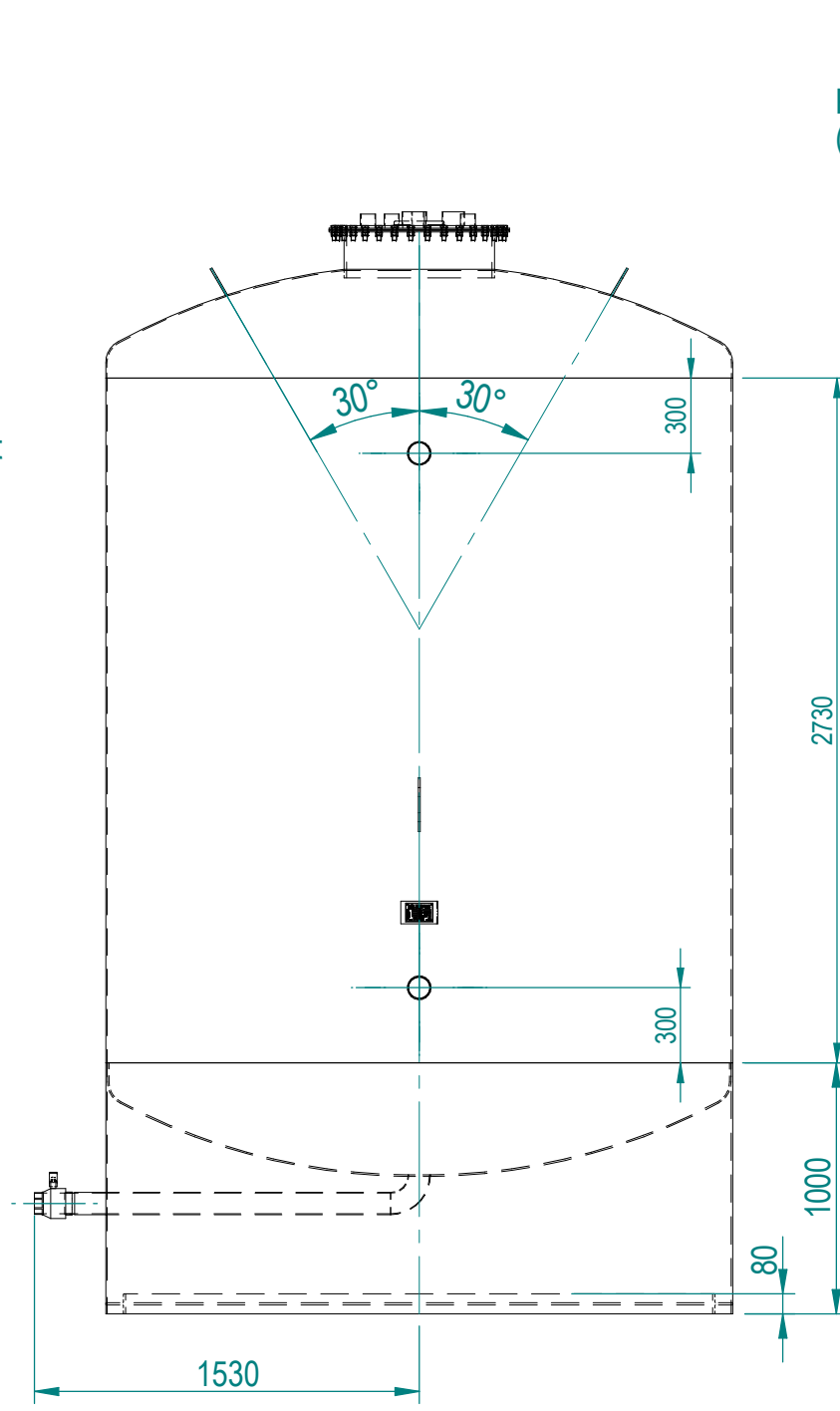
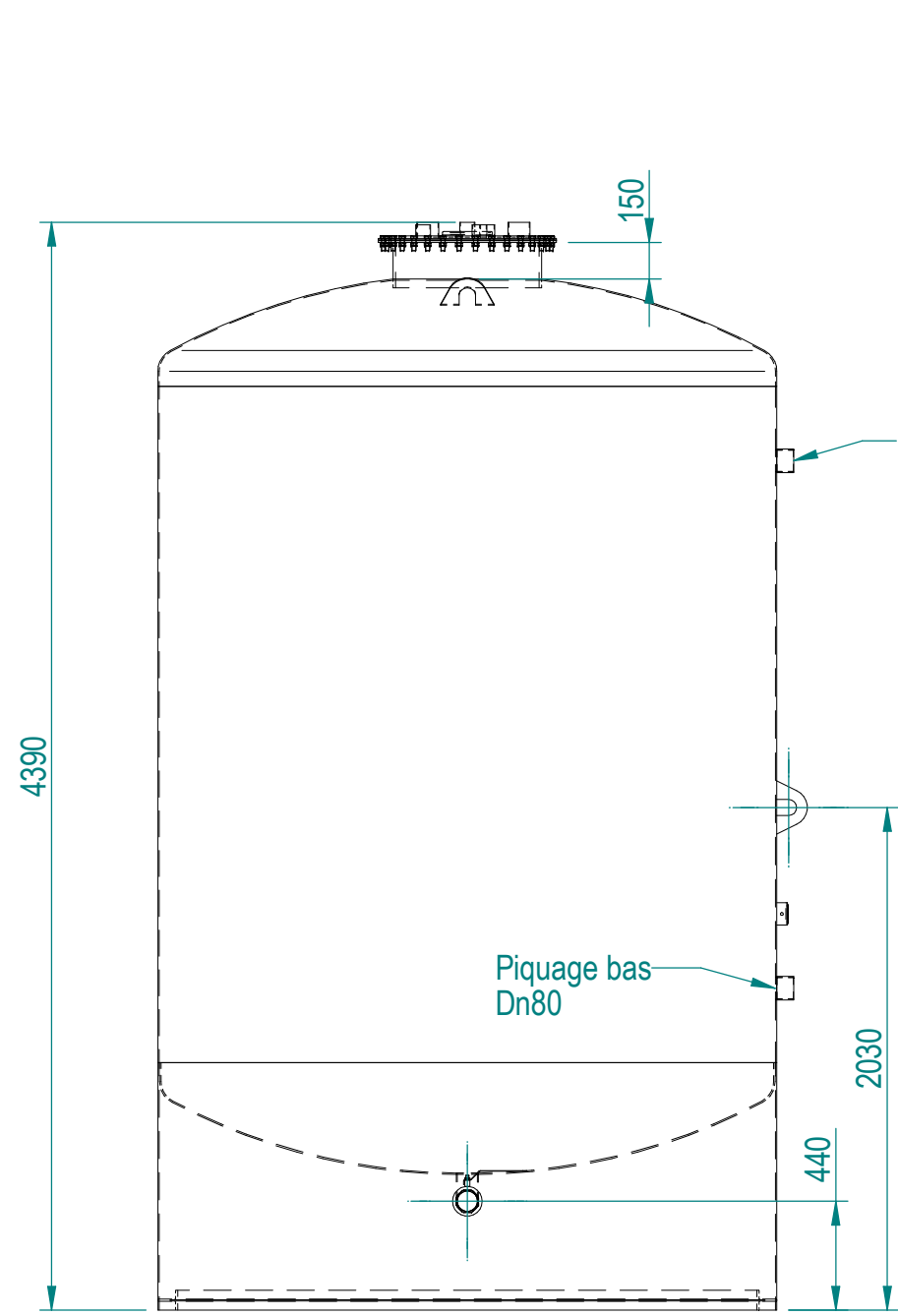
MASSE(KG)  
Weight(KG)

OBSERVATIONS : Construction suivant NF EN12285-2 (Mais non homologuée)  
Revêtement int : Aucun  
Revêtement ext : Endoprène 500µ jaune RAL1006

|   |    |              |            |   |                         |          |  |
|---|----|--------------|------------|---|-------------------------|----------|--|
| Conception<br>Design  | GG | DATE<br>Date | 16/01/2012 | TRAITEMENT :<br>Processing :                          | ETAT SURF :<br>Finish : |          | 44, Av. Lucien Victor MEUNIER 33530 BASSENS - FRANCE<br>TEL: +33 (0) 5 57 80 80 80 - FAX +33 (0) 5 56 31 61 21 |
| Dessiné<br>Drafted  | GG | DATE<br>Date | 17/01/2012 | Description:  | N° plan :<br>Dwg N°:    |          |  |
| VERIFIE<br>Checked  | IE | DATE<br>Date | 17/01/2012 | CUVE 15m3 / D:2500mm / VERTICALE<br>AFF: BIOCARDEL    |                         | REV: \$1 | Page: 1/2  |
| Ce document propriété de LAFON ne peut être communiqué sans autorisation<br>This document is the property of the LAFON SA and must not be used or reproduced without the written consent of the owners. The information contained in this document is disclosed to the recipient in confidence. |    |              |            | ECH.: 1/30<br>Scale: 1/30<br>FEUILLE: A3<br>Sheet: A3 |                         |          |  |

| TOLERANCES GENERALES POUR DIMENSIONS SANS INDICATIONS SELON ISO 2768 :<br>Non Specified Tolerances According To: DIN 7188 : |          |       |       |       |       |      |
|---|----------|-------|-------|-------|-------|------|
| Class   | ><br>0,5 | 3     | 6     | 30    | 120   | 400  |
| =   | 3        | 6     | 30    | 120   | 400   | 1000 |
| GROSSIERE - Coarse  | ± 0,2    | ± 0,3 | ± 0,5 | ± 0,8 | ± 1,2 | ± 2  |

| REV | DESCRIPTION  | CRA/DM | DATE       | MODIF. PAR |
|-----|--------------|--------|------------|------------|
| \$1 | Plan d'étude |        | 17/01/2012 | GG         |



|                                    |                  |   |  |   |           |
|------------------------------------|------------------|---|--|---|-----------|
| SPECIFICATION :<br>Specification : |                  | MATIERE :<br>Material :   | MASSE(KG)<br>Weight(KG)  | OBSERVATIONS : Construction suivant NF EN12285-2 (Mais non homologuée)<br>Revêtement int : Aucun<br>Revêtement ext: Endopène 500µ jaune RAL1006 |           |
| Assemblage (Assembly)              |                  |   | 2050.686 kg  |   |           |
| NOM<br>Name                        | DATE<br>Date     | TRAITEMENT :<br>Processing :  | ETAT SURF :<br>Finish :  |   |           |
| Conception<br>Design               | GG<br>16/01/2012 |   | LAFON<br>EQUIPEMENTS<br>PETROLIERS<br>44, Av. Lucien Victor MEUNIER 33530 BASSENS - FRANCE<br>TEL: +33 (0) 5 57 80 80 80 - FAX +33 (0) 5 56 31 61 21 |   |           |
| Dessiné<br>Drafted                 | GG<br>17/01/2012 | Description:<br>CUVE 15m3 / D:2500mm / VERTICALE<br>AFF: BIOCARDEL  |  | N° plan :<br>Dwg N°:  | 60002350  |
| VERIFIE<br>Checked                 | IE<br>17/01/2012 | Ce document propriété de LAFON ne peut être communiqué sans autorisation<br>This document is the property of the LAFON SA and must not be used or reproduced without the written consent of the owners. The information contained in this document is disclosed to the recipient in confidence. |  | REV: \$1  | Page: 2/2 |
|                                    |                  |   |  | ECH. :<br>Scale :   | 1/30      |
|                                    |                  |   |  | FEUILLE :<br>Sheet :  | A3        |