

Barriere per bordo ponte

Guardrails for bridge



steel safety on roadways

Require Marcegaglia Buildtech full range of steel road safety barriers: from the **steel partner**, steel safety on roadways.

Marcegaglia Buildtech safety barriers solutions are part of Marcegaglia steel production chain and are engineered, assembled then **tested** in order to comply with specific **norm requirements**.

Certificazioni

Certifications - Zertifizierungen - Certifications - Certificaciones

- **RINA ISO 9001:2008** certificato N. 12370/05/S
- **IQNet - CISQ/RINA** Quality Management System **ISO 9001:2008** Registration N. IT-42009
- **Certificati CE** di costanza della prestazione

Crash tests

Crash tests - Crash-Tests - Essais de chocs - Crash tests



Classe H2 Bordo Ponte - Barriera 3 onde per manufatto W4

Class H2 Bridge side - 3-waves guardrail for bridge W4

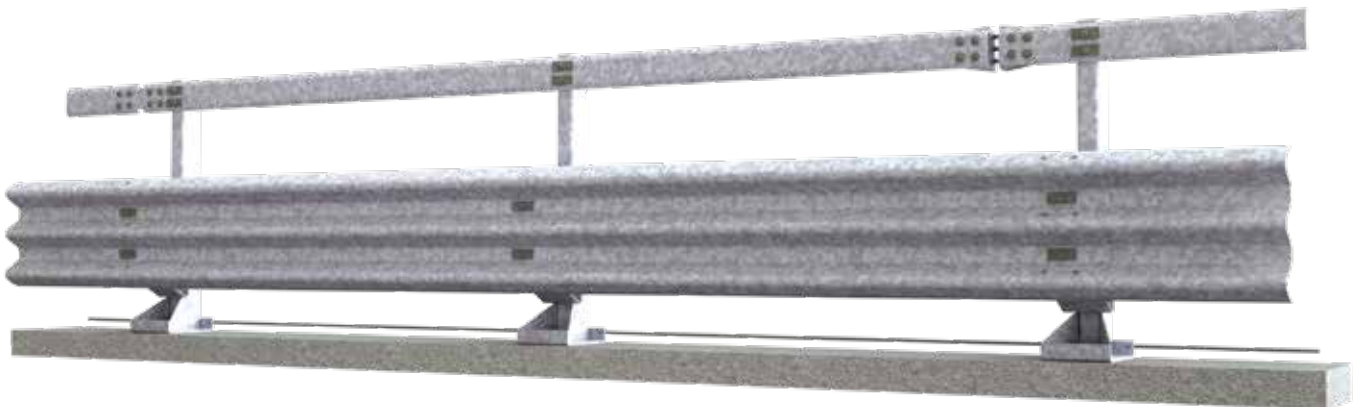
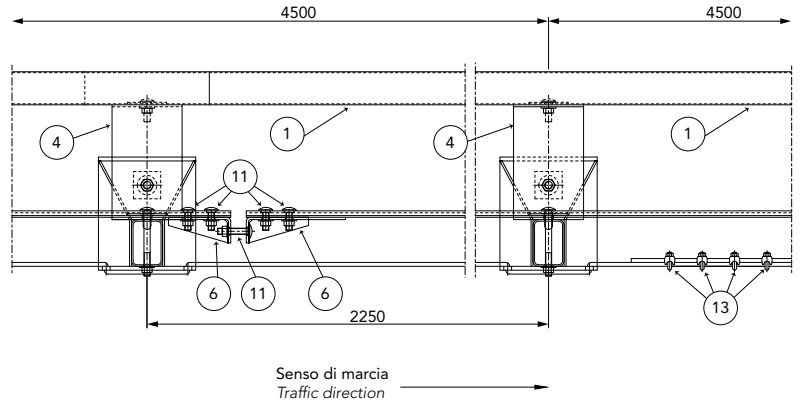
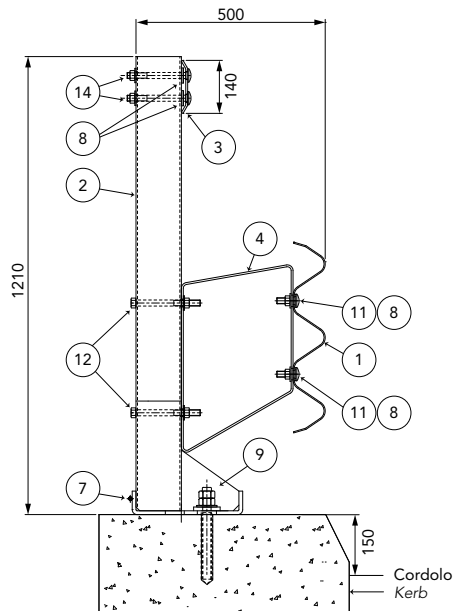
Aufhaltestufe H2 für Kunstbauten - 3-welliges Rückhaltesystem W4

Classe H2 Bord pont - Glissière 3 crosses simple pour pont W4

Clase H2 Borde de puente - Barrera de triple onda simple para base puente W4

H2-W4

3-waves



Caratteristiche Characteristics, Eigenschaften, Caractéristiques, Características

Altezza barriera Barrier height, Höhe Leitplanke, Hauteur glissière de sécurité, Altura barrera	1210 mm
Profondità d'infissione tirafondi Depth of anchor bolts penetration, Einschraubtiefe der Verankerungen, Prondeur de vissage des ancrages, Profundidad de anclaje varilla roscada	255 mm
Ingombro trasversale Overall width, Gesamtbreite, Grosseur hors tout, Anchura total	500 mm
Interasse pali Post spacing, Steherabstand, Distance entre poteaux, Distancia entre postes	2250 mm

Rapporti di prova Crash test reports, Testberichte, Comptes rendus d'essais, Relaciones de pruebas

Test n.	Facility	Test	Type	Barrier length m	Mass kg	Speed km/h	ASI max 1.4	THIV max 33 km/h	D m	Vi m	W m
X91.04.L03	TÜV	TB51	Laterale 20°	78,75	13.000	70	-	-	1	1,2	1,3=W4
X91.01.K07	TÜV	TB11	Laterale 20°	78,75	900	100	0,9=A	25	0,4	-	0,7=W2

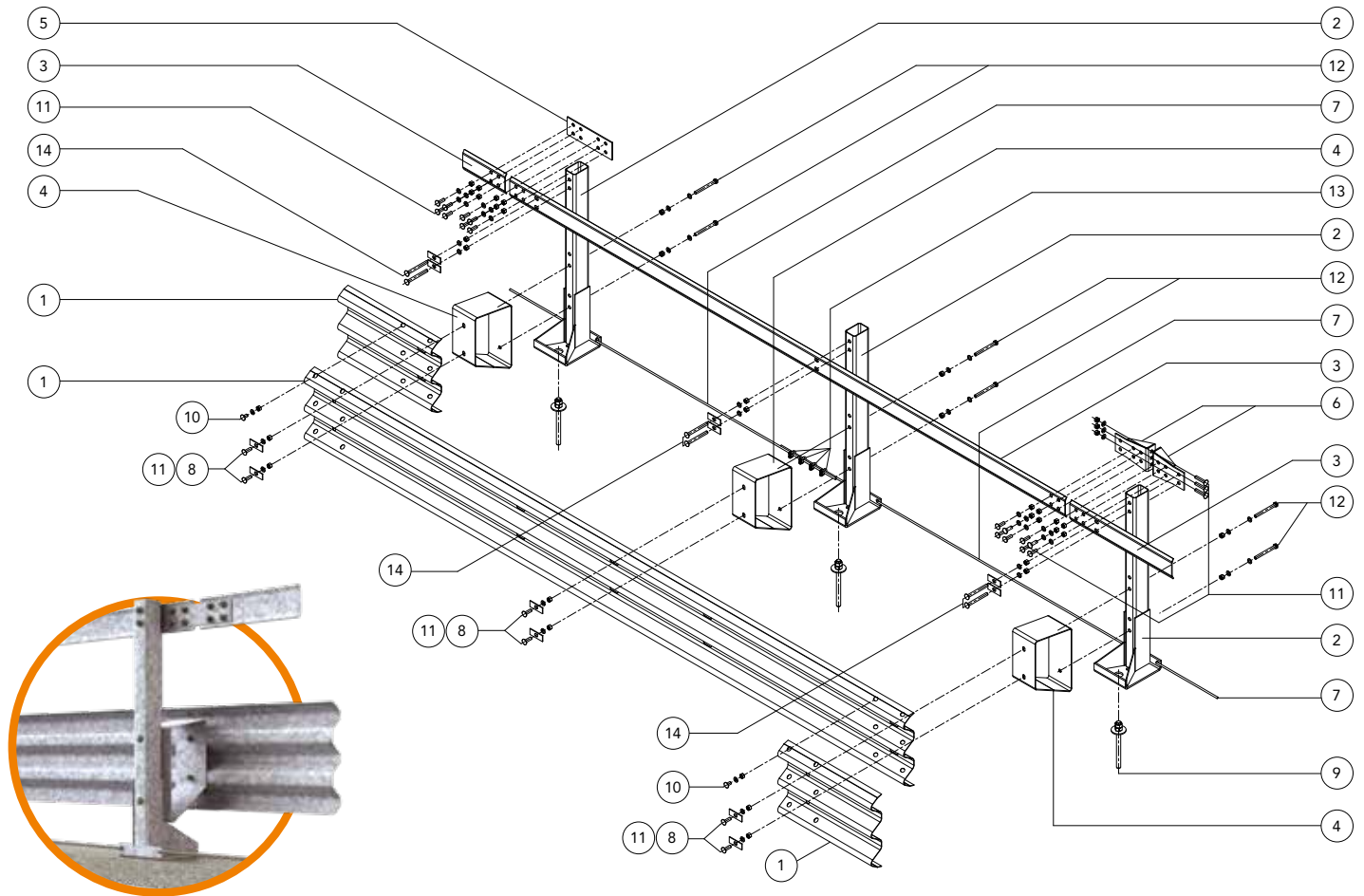
Sales office:

MARCEGAGLIA BUILDTECH guardrail division
 strada Roveri, 4
 15068 Pozzolo Formigaro, Alessandria - Italy
 phone +39 . 0143 77 61 • fax +39 . 0143 77 63 53

guardrail@marcegaglia.com
 www.marcegagliabuildtech.it

Plants:

MARCEGAGLIA BUILDTECH Pozzolo Formigaro
 strada Roveri, 4
 15068 Pozzolo Formigaro, Alessandria - Italy
 phone +39 . 0143 77 61 • fax +39 . 0143 77 63 53



Componenti Components, Bauteile, Composants, Elementos

	Descrizione Description		Materiale Material
13	Morsetto per fune Cable clamp, Schraubklemme für Stahlseil, Serre-câble, Grapa para cable		Acc. zinc.
14		M16x160 mm	Classe 8.8
12	Bullone completo Bolt with nut and washer, Schraube komplett, Boulon complet, Tornillo completo con tuerca y arandela	M16x170 mm	Classe 8.8
11		M16x50 mm	Classe 8.8
10		M16x30 mm	Classe 8.8
9	Tirafondo + dadi + 1 rondella Anchor bolt + nuts + 1 washer, Verbundklebeanschraube + Mütter + 1 Unterlegscheibe, Tire-fond + écrous + 1 rondelle, Varilla Roscada + tuercas + 1 arandela	M24x315 mm	Classe 8.8
8	Piastrina copriasola Slot covering plate, Lochabdeckplatte, Plaque de couverture fente, Placa cubre-ranura	100x40x4 mm	S 275 JR
7	Fune Wire rope, Seil, Câble, Cable	Ø12 L=6000 mm	Acc. zinc.
6	Elemento di trazione Traction element, Zugelement, Élément de traction, Elemento de tracción	Th=6 mm	S 235 JR
5	Piatto di collegamento Connection plate, Anschlussplatte, Plaque de connexion, Platina de unión	120x360 Th=6 mm	S 235 JR
4	Distanziatore romboidale Rhomboidal spacer, Rhomboidisch. Abstandhalter, Entretoise en losange, Separador romboidal	Th=5 mm	S 235 JR
3	Bandella superiore Upper shaped plate, Oberer Bandstahl, Barre supérieure, Banda superior	140x4460 Th=5 mm	S 355 JR
2	Palo in tubo con piastra Rectangular tube post with base plate, Vierkantrohrsteher mit Grundplatte, Poteau tubulaire avec plaque, Poste de tubo con placa	120x80 Th=4 H=1200 mm	S 235 JR
1	Fascia 3 onde 3-waves beam, 3-wellige Leitschiene, Glissière 3 crosses, Banda triple onda	L=4816 (2250x2) Th=2,5 mm	S 235 JR