

Product Datasheet

RS Bobbin Mount – Type C



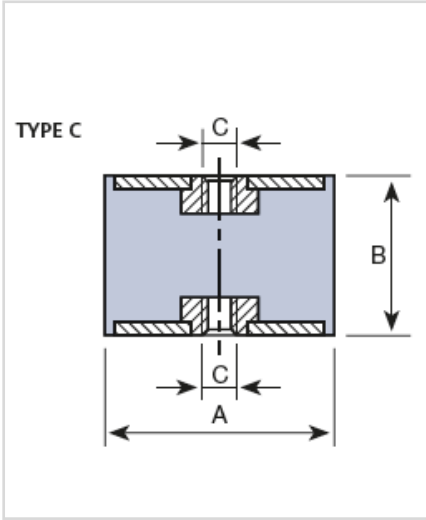
RS Bobbin Mount – Type C

Their elasticity is much greater in all the directions parallel to the armatures than in the perpendicular direction. The rubber works based on compression or shear depending on the direction it is placed in at installation time. This direction is made according to the use and the objective.

It is therefore installed with nuts or screws depending on the model chosen, with one part attached to the fixed chassis and the other to the machine to be suspended.

The AMC Mekanocaucho® bobbins are particularly suitable for installation on small motor-pumps, motor- ventilators, driers, sieves, compactors, washing machines, electrical motors, on-board control panels, measuring apparatuses, control cabinets, microphones, fluorescent tubes, etc.

Technical data



RS Ref:	AMC Ref:	A	B	C	H	COMPRESSION		SHEAR	
						LOAD max. daN	DEFLECT. mm	LOAD max. daN	DEFLECT. mm
8112451	122023	20	20	M-6	18	50	3	8	4
8112580	122173	25,5	20	M-6	18	50	3	8	4
8112467	122033	25,5	22	M-8	20	50	3	8	4
8112505	122036	25,5	40	M-8	20	50	10	6	6
8112508	122042	30	22	M-8	20	80	4	11	4
8112599	122199	40	45	M-8	20	120	11	20	9
8112502	122052	40	28	M-10	25	150	4,5	20	5,5
8112511	122062	50	35	M-10	25	250	7	25	7
8112514	122072	60	36	M-10	25	300	7	30	7
8112518	122082	70	50	M-10	25	350	9	35	11