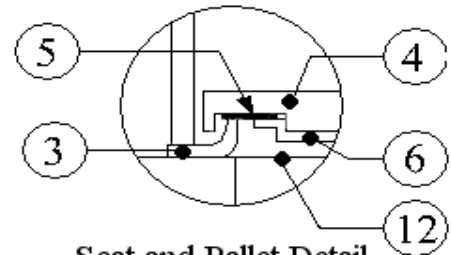
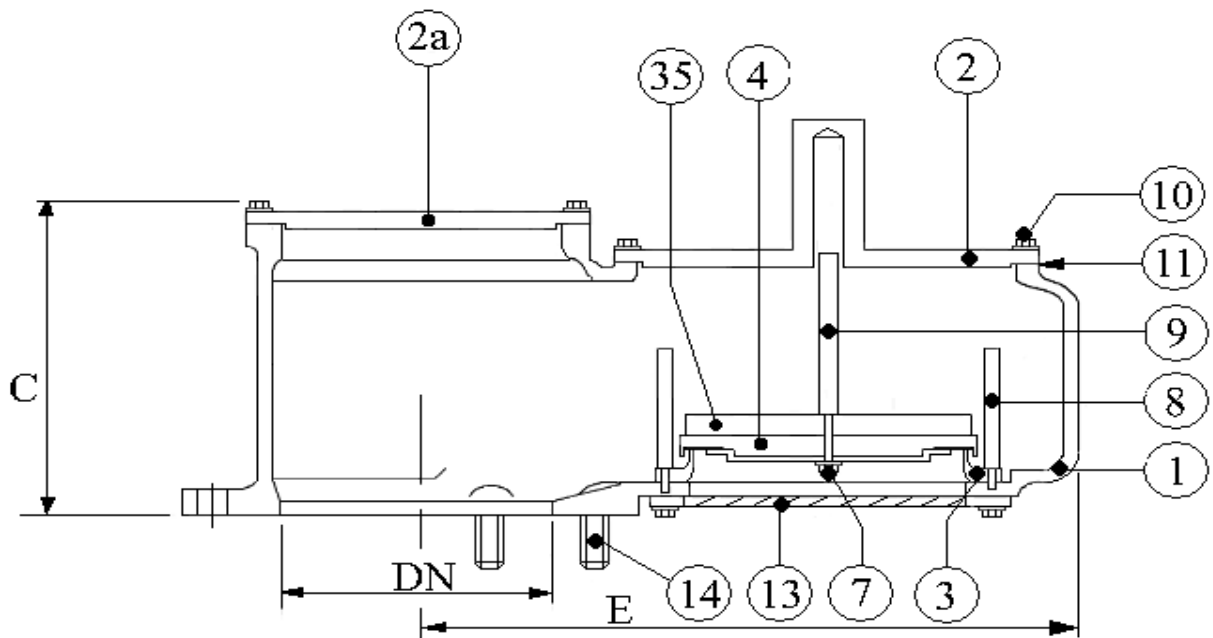


"TV" Configuration
O-Ring Sealing



Seat and Pallet Detail



| | | | | | | | | | |
|-----------|-------|---------|-------|-------|--------|--------|--------|---------|---------|
| DN | 1"-25 | 1,5"-40 | 2"-50 | 3"-80 | 4"-100 | 6"-150 | 8"-200 | 10"-250 | 12"-250 |
| C | 110 | 110 | 125 | 130 | 140 | 185 | 265 | 270 | 285 |
| E | 160 | 160 | 175 | 230 | 285 | 375 | 485 | 580 | 690 |

Valvola Rompivuoto

Vacuum breaker valve

FIG 102 - 102 TV

Rampini Milano

CUSTOMER-CLIENT

Off. No.

Tel +39-0229510899/Fax 0229511081

Ord. No.

e-mail info@rampinimilano.com

