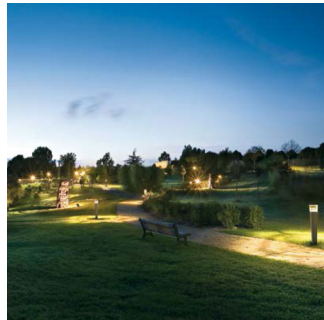




## Tret Bollard

External Lighting



Designer range luminaire for urban plazas, pathways, public and private green spaces, parks and gardens. Also available in column version (see separate leaflet).

**Product Compliance:** EN 60598; CE.

**Construction:** Die cast aluminium housing. IP65.

**Lens:** Polycarbonate lens.

**Diffuser:** Performance reflector as standard. Dark aluminium stacked louvre type for maximum cut-off on request. Clear polycarbonate lens.

**Installation:** Via Flange Plate to be cemented into ground.

**Finish:** Light Grey Finish as standard. Anthracite Grey on request.

**LED:** Available in 26w and 32w LED. 4K as standard, 3K on request.

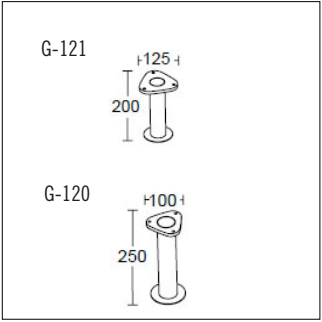
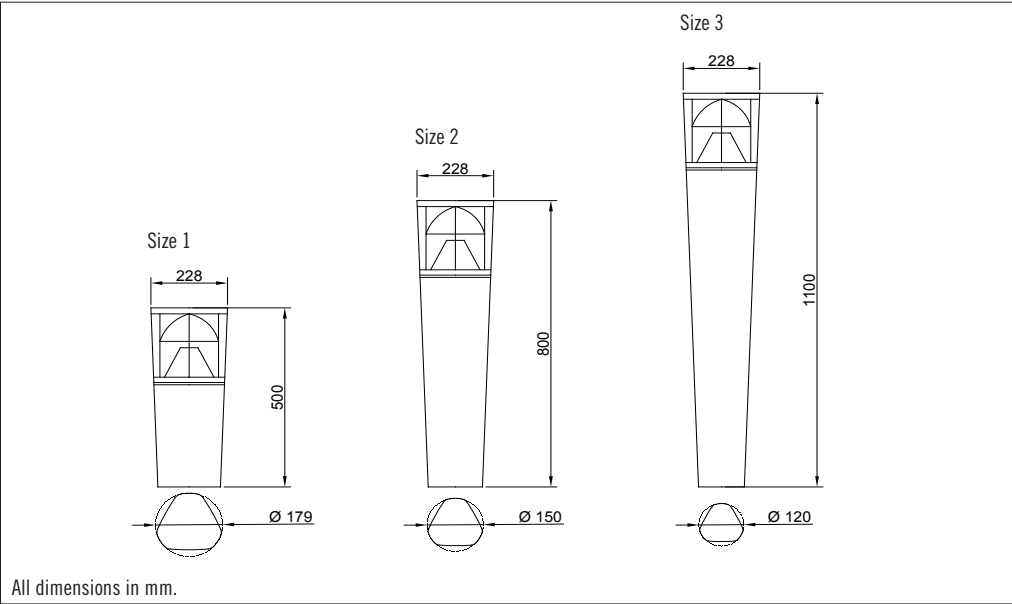
**Driver:** Internal LED driver.

**Options:** DALI, RAL colours on request, 3 different heights.

**Veelite**



## DIMENSIONS



## ORDERING CODE

Wattage	Type	Size	Code	Details	+Flange Plate	Lumens
26w	LED	1	G-8203.CHFT	Tret Bollard, 4K	G-121	3530 lm
32w	LED	2	G-8205.EDFT	Tret Bollard, 4K	G-121	4440 lm
32w	LED	3	G-8207.EDFT	Tret Bollard, 4K	G-120	4440 lm

## OPTIONS

3K: 3000K, Warm White
.05: Anthracite Grey
.13: Light Grey Finish
DALI: DALI on request