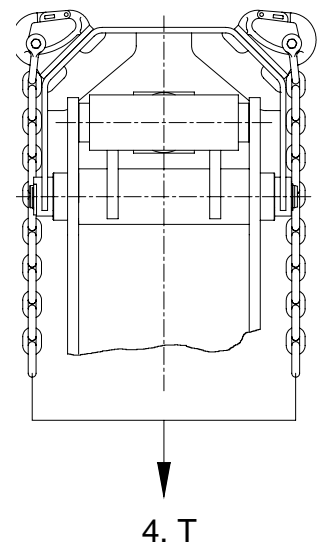
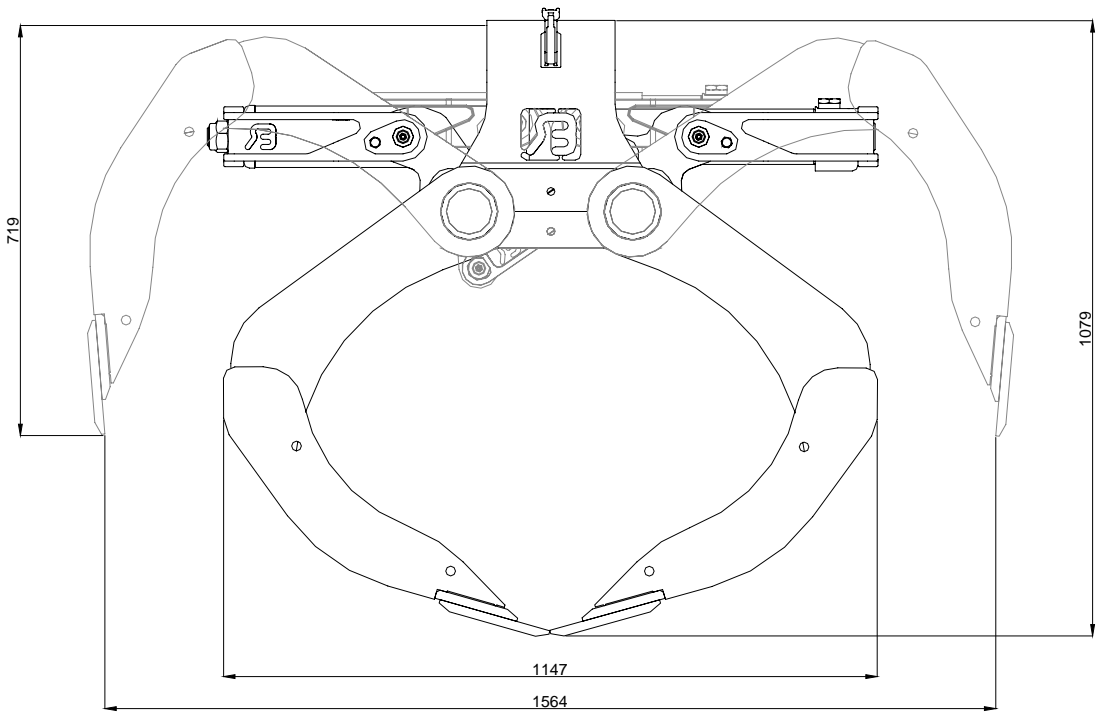


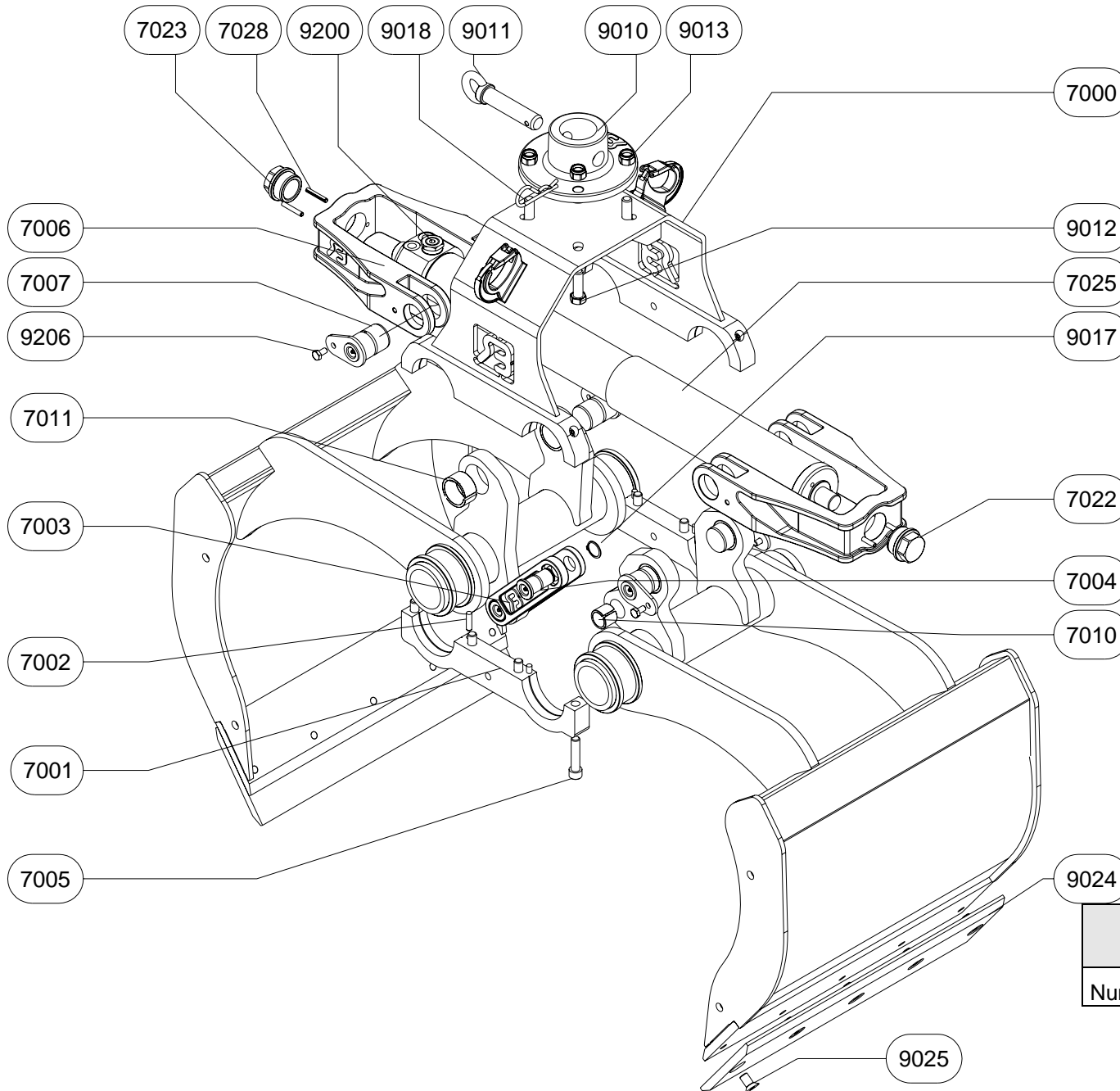
TECHNICAL DATA:

- Grab type : **CBOX**
- Width : 55 cm 80 cm 100 cm 140 cm
 65 cm 90 cm 120 cm
- Capacity : 250 L 400 L 500 L 700 L
 300 L 450 L 600 L
- Weight : 315 kg 360 kg 395 kg 470 kg
 335 kg 375 kg 430 kg
- Max. working pressure : **250 Bar**
- Press strength : **20 kN.**
- Max. hoisting load : **4 T**
- Maximum oil flow in non-return valve: **80 L/min.**





CBOX 55-65-80-90 cm



SPARE PARTS

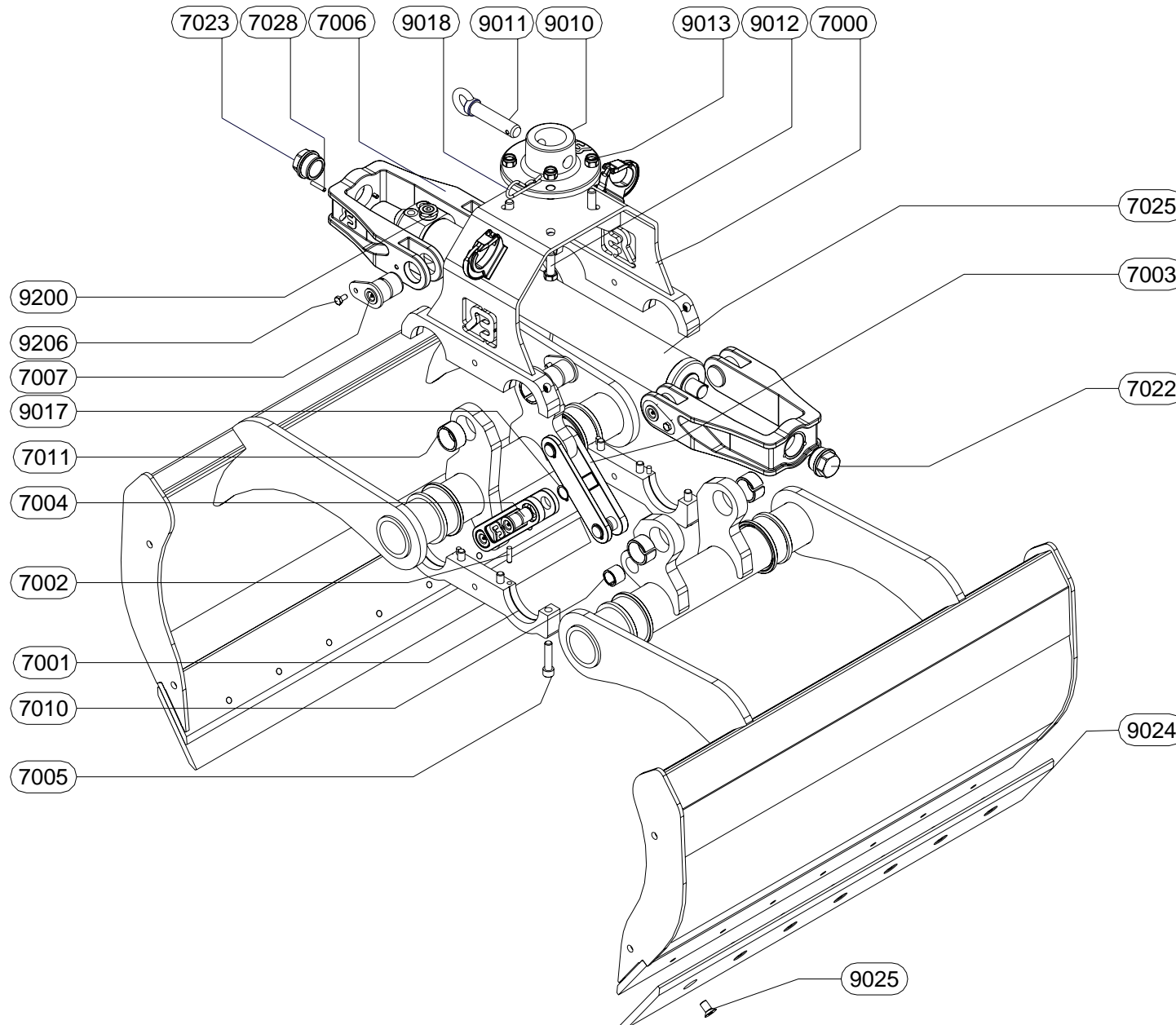
PART NO	QUANTITY	SPECIFICATION
CBOX-7000	1	SADDLE PLATE
CBOX-7001	2	FIXING PLATE
CBOX-7002	4	DAVEL PIN
CBOX-7003	1	STEADY LINK
CBOX-7004	2	PIN
CBOX-7005	8	BOLT
CBOX-7006	2	YOKE
CBOX-7007	4	PIN
CBOX-7010	2	SPLIT BUSH
CBOX-7011	4	SPLIT BUSH
CBOX-7022	1	NUT
CBOX-7023	1	NUT
CBOX-7025	1	CYLINDER
CBOX-7028	2	CLAMPING PIN
CBOX-9010	1	CONNECTOR PLATE
CBOX-9011	1	CONNECTOR PIN
CBOX-9012	4	BOLT
CBOX-9013	4	NUT
CBOX-9017	2	CIRCLIP
CBOX-9018	1	HAIRPIN SPRING
CBOX-9024	2	BLADE
CBOX-9025	see chart	BOLT
CBOX-9200	1	NON RETURN VALVE
CBOX-9206	4	BOLT

GRAB TYPE	CBOX 55	CBOX 65	CBOX 80	CBOX 90
Number of bolts CBOX 9025	8	10	10	14



CBOX 100-120-140 cm

SPARE PARTS



PART NO	QUANTITY	SPECIFICATION
CBOX-7000	1	SADDLE PLATE
CBOX-7001	2	FIXING PLATE
CBOX-7002	4	DAVEL PIN
CBOX-7003	2	STEADY LINK
CBOX-7004	4	PIN
CBOX-7005	8	BOLT
CBOX-7006	2	YOKE
CBOX-7007	4	PIN
CBOX-7010	2	SPLIT BUSH
CBOX-7011	4	SPLIT BUSH
CBOX-7022	1	NUT
CBOX-7023	1	NUT
CBOX-7025	1	CYLINDER
CBOX-7028	2	CLAMPING PIN
CBOX-9010	1	CONNECTOR PLATE
CBOX-9011	1	CONNECTOR PIN
CBOX-9012	4	BOLT
CBOX-9013	4	NUT
CBOX-9017	4	CIRCLIP
CBOX-9018	1	HAIRPIN SPRING
CBOX-9024	2	BLADE
CBOX-9025	see chart	BOLT
CBOX-9200	1	NON RETURN VALVE
CBOX-9206	4	BOLT

GRAB TYPE	CBOX 100	CBOX 120	CBOX 140
Number of bolts CBOX 9025	14	18	18