

Electromagnetically Actuated Locking Units

1

Product group

G HU Z 008
Pamphlet

- To VDE 0580
- Almost horizontal magnetic force vs stroke graph
- Pull type (de-energise to lock) and push type (de-energise to unlock)
- Built-in return spring
- Maintenance-free brass bearing
- Coil insulation rating B
- Electrical connection and protection if mounted properly:
 - Connection with free leads
Protection to DIN VDE 0470/EN 60529 – IP 00
- Modifications and special designs on request
- Applications:
Building engineering, miniature locking systems,
safety engineering



Fig. 1: Type G HU Z 008 N20 A01

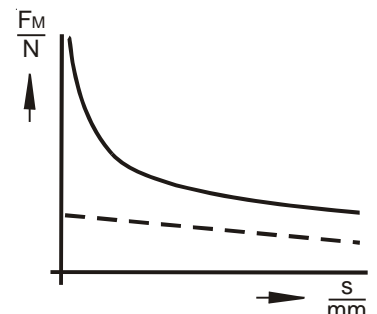


Fig. 2: Magnetic force characteristic



Technical data

G HU Z 008			
Operating mode		S1	
Stroke s	(mm)	1.5	
Magnetic force F_M	(N)	0.05	
Rated Power P_{20}	(W)	1.5	
Reference temperatur v_{11}	(°C)	35	
Operating frequency S_h	(1/h)	3,600	
Armature weight m_A	(kg)	0.001	
Solenoid weight m_M	(kg)	0.005	
Radial bolt load (max.) allowable	static	(N)	500
	stroke	(N)	0

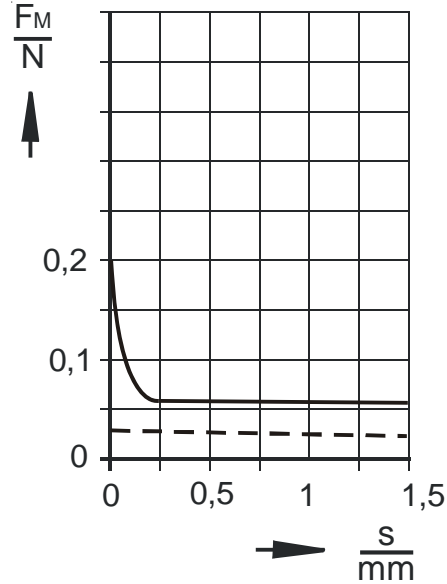


Fig. 3: Magnetic force vs stroke graph and spring return

Rated voltage $\approx 12\text{ V}$

The magnetic force values mentioned in the tables refer to 90 % of the rated voltage, ($U_N = \approx 12\text{ V}$, for other voltages - lower than 12 V only - the magnetic force may differ) and hot condition.

Owing to natural dispersion, the magnetic force values and the force values of the spring may deviate by 10 % from the values indicated in the tables.

Hot condition is based on:

- mounting on poorly heat-conducting base
- rated voltage $\approx 12\text{ V}$
- operating mode S1 (100 % ED)
- reference temperature 35° C

The stroking movement through electromagnetic force can be pulling depending on the design and on the mounting position.

The built-in spring sees to return to stroke start position.

Reliable flexible mounting is guaranteed through the centre thread.

Please find further details and definitions in our -Technical Explanation or in VDE 0580.

Note on the technical harmonisation guidelines within the EU



Electromagnetic solenoids of this product range are subject to the low-voltage guideline 73 / 23 EWG.

To guarantee the targets of this regulation, products are manufactured and inspected to the valid edition of DIN VDE 0580. This also equals a declaration of conformity by the manufacturer.

Note on the EMC (electromagnetic compatibility) guideline 89/336 EWG

Electromagnetic solenoids are not affected by this guideline because neither do they cause electromagnetic disturbances, nor can they be disturbed through electromagnetic disturbances. Therefore, the adherence to the EMC guideline has to be guaranteed by the user through appropriate circuitry wiring. Examples for protection circuits can be taken from the corresponding technical documents.

Dimensions sheet

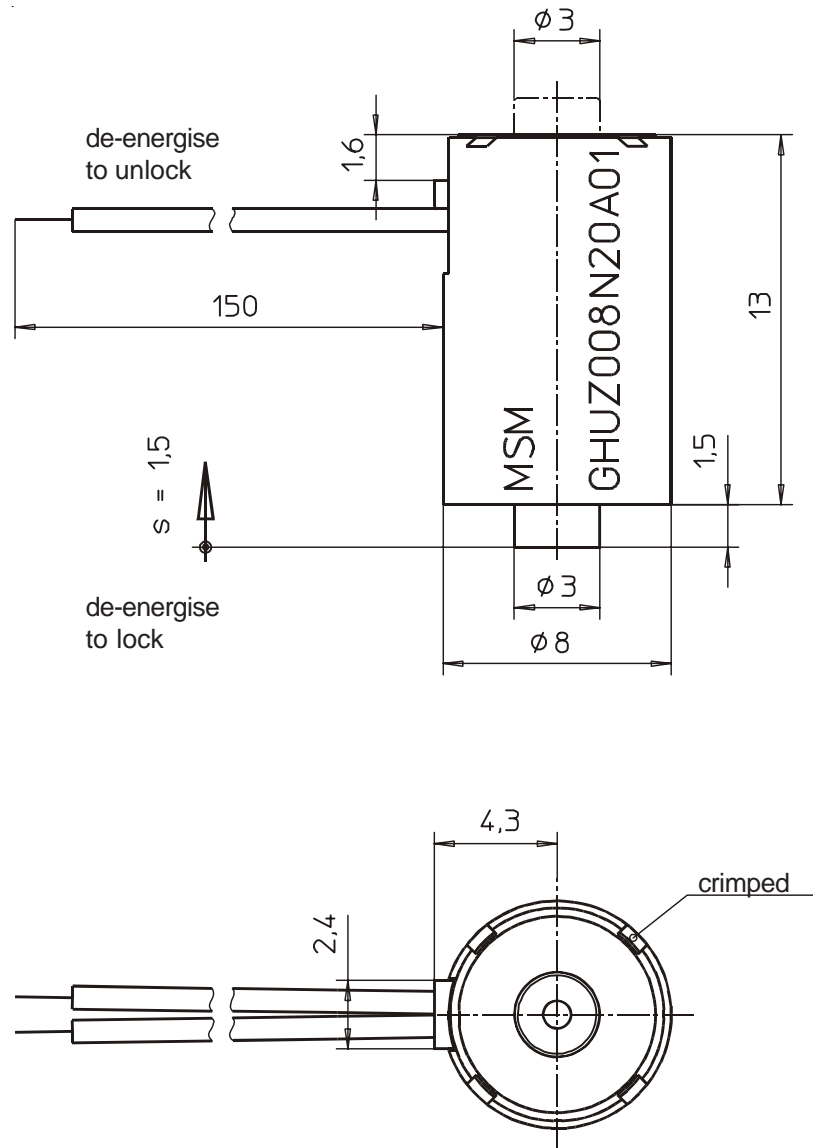
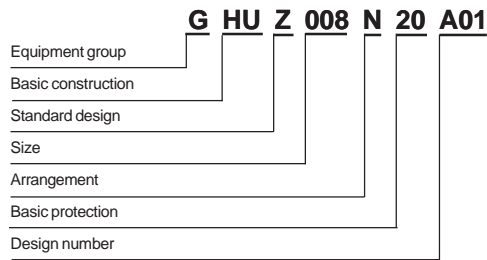


Fig. 4: Type G HU Z 008 N20 A01

The solenoid shown is not a ready-to-use device in the sense of DIN VDE 0580. The general requirements and protective measures to be taken by the user are included in DIN VDE 0580.




Type code



Order Example

Type	G HU Z 008 N20 A01
Voltage	== 12 V DC
Operating mode	S1 (100 % ED)

Specials

Special designs and modifications are available on request for which full application conditions should be specified in accordance with our -Technical Explanations.

In case of connection via plug connector ZKBX or ZKBG, allow for the max. constant current of the connector.